

## Installation Guide

Included Installation Instructions

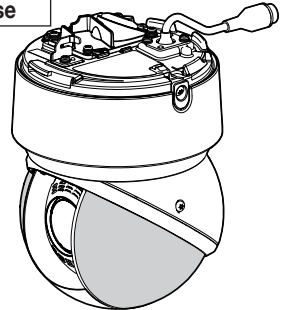
### Network Camera

For professional use only

Outdoor use

Model No. WV-S66700 Series  
WV-S66600 Series  
WV-S66300 Series  
WV-X66700 Series  
WV-X66600 Series  
WV-X66300 Series

(WV-X66x00 Series: Heavy salt damage resistance)



WV-S66700-Z3LN

- The model numbers covered by this manual are described on page 2.

### About the user manuals

Product documentation is composed of the following documents.

- **Installation Guide (this document):** Provides information about "Precautions", "Precautions for installation" and the installation method.
- **Web Guide (Refer to the link on the following product information website):** Includes installation videos, basic functions, and basic operation methods for this device.
- **User manual (Refer to the link on the following product information website):** This section describes the software operating instructions common to each model.  
[https://i-pro.com/products\\_and\\_solutions/en/surveillance/documentation-database](https://i-pro.com/products_and_solutions/en/surveillance/documentation-database)



"<Control No.: C\*\*\*\*>" used in these documents should be used to search for information on our technical information website ([https://i-pro.com/products\\_and\\_solutions/en/surveillance/learning-and-support/knowledge-base/technical-information](https://i-pro.com/products_and_solutions/en/surveillance/learning-and-support/knowledge-base/technical-information)) and will guide you to the right information.



- Before attempting to connect or operate this product, please read these instructions carefully and save Important Safety Instructions leaflet for future use.
- microSDXC/ microSDHC/ microSD memory card is described as microSD memory card.
- The external appearance and other parts shown in this manual may differ from the actual product within the scope that will not interfere with normal use due to improvement of the product.

i-PRO Co., Ltd.

Tokyo, Japan

<https://www.i-pro.com/>

Authorised Representative in EU:  
i-PRO EMEA B.V.  
Laarderhoogtweg 25, 1101 EB  
Amsterdam, Netherlands

i-PRO EMEA B.V. UK Branch  
1010 Cambourne Business Park,  
Cambridgeshire CB23 6DP



• This manual covers the following model numbers.

■ Normal models:

WV-S66700 Series ( WV-S66700-Z3LN <sup>\*1 \*3</sup>, WV-S66700-Z3N <sup>\*1 \*4</sup>, WV-S66700-Z3L <sup>\*2 \*3</sup>, and WV-S66700-Z3 <sup>\*2 \*4</sup>)  
WV-S66600 Series ( WV-S66600-Z3LN <sup>\*1 \*3</sup>, WV-S66600-Z3N <sup>\*1 \*4</sup>, WV-S66600-Z3L <sup>\*2 \*3</sup>, and WV-S66600-Z3 <sup>\*2 \*4</sup>)  
WV-S66300 Series ( WV-S66300-Z4LN <sup>\*1 \*3</sup>, WV-S66300-Z3LN <sup>\*1 \*3</sup>, WV-S66300-Z4N <sup>\*1 \*4</sup>, WV-S66300-Z3N <sup>\*1 \*4</sup>,  
WV-S66300-Z4L <sup>\*2 \*3</sup>, WV-S66300-Z3L <sup>\*2 \*3</sup>, WV-S66300-Z4 <sup>\*2 \*4</sup>, and WV-S66300-Z3 <sup>\*2 \*4</sup>)

■ Heavy salt damage resistance models (WV-X66x00 series):

WV-X66700 Series ( WV-X66700-Z3LK <sup>\*1 \*3</sup>, WV-X66700-Z3K <sup>\*1 \*4</sup>, WV-X66700-Z3LS <sup>\*2 \*3</sup>, and WV-X66700-Z3S <sup>\*2 \*4</sup>)  
WV-X66600 Series ( WV-X66600-Z3LK <sup>\*1 \*3</sup>, WV-X66600-Z3K <sup>\*1 \*4</sup>, WV-X66600-Z3LS <sup>\*2 \*3</sup>, and WV-X66600-Z3S <sup>\*2 \*4</sup>)  
WV-X66300 Series ( WV-X66300-Z4LK <sup>\*1 \*3</sup>, WV-X66300-Z3LK <sup>\*1 \*3</sup>, WV-X66300-Z4K <sup>\*1 \*4</sup>, WV-X66300-Z3K <sup>\*1 \*4</sup>,  
WV-X66300-Z4LS <sup>\*2 \*3</sup>, WV-X66300-Z3LS <sup>\*2 \*3</sup>, WV-X66300-Z4S <sup>\*2 \*4</sup>, and WV-X66300-Z3S <sup>\*2 \*4</sup>)

\*1 ClearSight coating model

\*2 Non ClearSight coating model

\*3 IR LED light equipped model

\*4 Non IR LED light equipped model

**Disposal of Old Equipment and Batteries**  
**Only for European Union and countries with recycling systems**



These symbols on the products, packaging, and/or accompanying documents mean that used electrical and electronic products and batteries must not be mixed with general household waste. For proper treatment, recovery and recycling of old products and used batteries, please take them to applicable collection points in accordance with your national legislation.

By disposing of them correctly, you will help to save valuable resources and prevent any potential negative effects on human health and the environment.

For more information about collection and recycling, please contact your local authority.

Penalties may be applicable for incorrect disposal of this waste, in accordance with national legislation.



**Note for the battery symbol (bottom symbol)**

This symbol might be used in combination with a chemical symbol. In this case it complies with the requirement set by the Directive for the chemical involved.

**For U.S.A.**

**NOTE:** This equipment has been tested and found to comply with the limits for a Class A digital device, pursuant to Part 15 of the FCC Rules. These limits are designed to provide reasonable protection against harmful interference when the equipment is operated in a commercial environment. This equipment generates, uses, and can radiate radio frequency energy and, if not installed and used in accordance with the instruction manual, may cause harmful interference to radio communications.

Operation of this equipment in a residential area is likely to cause harmful interference in which case the user will be required to correct the interference at his own expense.

**FCC CAUTION:** Changes or modifications not expressly approved by the party responsible for compliance could void the user's authority to operate the equipment.

**Supplier's Declaration of conformity**

Trade name : i-PRO

Model No. : WW-S66700-Z3L / WW-S66700-Z3  
 WW-S66600-Z3L / WW-S66600-Z3  
 WW-S66300-Z4L / WW-S66300-Z4  
 WW-S66300-Z3L / WW-S66300-Z3  
 WW-X66700-Z3L / WW-X66700-Z3  
 WW-X66600-Z3L / WW-X66600-Z3  
 WW-X66300-Z4L / WW-X66300-Z4  
 WW-X66300-Z3L / WW-X66300-Z3



Responsible Party :

i-PRO Americas Inc.

8550 Fallbrook Drive, Suite 200 Houston, Texas 77064

Support Contact: 1-800-513-5417

**For U.S.A.**

The model number and serial number of this product may be found on the surface of the unit.

You should note the model number and serial number of this unit in the space provided and retain this book as a permanent record of your purchase to aid identification in the event of theft.

Model No. \_\_\_\_\_

Serial No. \_\_\_\_\_

**For U.S.A.**

This device complies with part 15 of the FCC Rules.

Operation is subject to the following two conditions : (1) This device may not cause harmful interference, and (2) this device must accept any interference received, including interference that may cause undesired operation.

**For Canada**

CAN ICES-3(A)/NMB-3(A)

Méthode d'installation	Vis de fixation recommandée	La capacité de traction minimale requise
Type1 WV-QSR506 (Adaptateur pour caméra dôme fixe) + WV-QCL501 (Potence de fixation au plafond)	M10 x 30 mm {1-3/16 pouces} / 4 él.	1411 N {317 lbf}
Type1 WV-QSR506 (Adaptateur pour caméra dôme fixe) + WV-QWL501 (Adaptateur pour montage mural)	M10 x 30 mm {1-3/16 pouces} / 4 él.	823 N {185 lbf}
Type2 WV-QSR506F/ WV-QSR506M (Adaptateur pour caméra dôme fixe) + Support procuré localement	Reportez-vous aux instructions d'utilisation du support acheté.	
Type3 WV-QJB505 (Platine de fixation de base)	M4 x 16 mm {5/8 pouces} / 4 él.	196 N {44 lbf}
Type4 WV-QEM505 (Potence de fixation au plafond)	Reportez-vous au guide d'installation de WV-QEM505.	
Type5 WV-QWL502 (Adaptateur pour montage mural)	Reportez-vous au guide d'installation de WV-QWL502.	

\* La longueur de la vis est un exemple lors de l'installation de la caméra au plafond ou sur un mur robuste d'une épaisseur de 20 mm {25/32 pouces} ou plus.

**WARNING:**


- Operation of this product in a residential environment could cause radio interference.


**Caution:**

- The DC power supply connected to the camera must be in the same building.
- The network camera is only intended for a connection to an ethernet or PoE network without routing to the outside plant.
- This product has no power switch. Be sure to install disconnect devices such as a circuit breaker to shut down the main power of power supplying equipment to this product.
- Before attempting to connect or operate this product, please read these instructions carefully.

**Notice:**

- This product is not suitable for use in locations where children are likely to be present.
- Do not install this product in locations where ordinary persons can easily reach.
- This product is a professional equipment.
- For information about screws and other parts required for installation, refer to the corresponding section of this document.

 : Direct current symbol

 : Caution, infrared radiation

**Precautions**

In order to prevent harm to people and damage to property, it explains what must be observed without fail. The safety statements common to all i-PRO network camera models are posted on the website linked from the twodimensional barcode on the right. Please be sure to confirm it.

[https://i-pro.com/products\\_and\\_solutions/en/surveillance/learning-and-support/knowledge-base/safety-instructions](https://i-pro.com/products_and_solutions/en/surveillance/learning-and-support/knowledge-base/safety-instructions)



■ **Do not install this product in a restricted or prohibited environment.**

Failure to observe this may result in injury, accident, or malfunction due to falling.

Please check the safety precautions common to all models on the website above and the installation precautions in the Installation Guide.

■ **Refer installation work to the dealer.**

Installation work requires technique and experience. Failure to observe this may cause fire, electric shock, injury, or damage to the product. Be sure to consult the dealer.

■ **Install the product accurately and securely on an installation surface in accordance with the installation instructions.**

Failure to observe this may cause injury or accidents.

■ **Take measures of protection against this product falling.**

Failure to observe this may cause a drop resulting in injury.

Securely fix the product to the installation surface using screws or anchors. If the fall prevention wire is included, be sure to install it.

■ **Stop the operation immediately when something is wrong with this product.**

When smoke goes up from the product, the smell of smoke comes from the product, or the exterior of the product has deteriorated, continued use will cause a fire or fall of the product resulting in injury, or damage to property.

In this case, turn the power off immediately and contact qualified service personnel for service.

■ **Conduct periodic inspections.**

Rust on the metal parts or screws may cause a fall of the product resulting in injury or accidents. Consult the dealer for the inspections.

Be sure to turn off the power before inspection or maintenance.

## Precautions for installation

**i-PRO Co., Ltd. assumes no responsibility for injuries or property damage resulting from failures arising out of improper installation or operation inconsistent with this documentation.**

■ **In order to prevent injury, the product must be securely mounted to a mount bracket according to Installation Guide.**

### ■ **Installation area for this product**

Select an appropriate place for the installation area (such as a strong installation surface) in your particular environment.

- Make sure that the installation area is strong enough to hold this product, such as a concrete ceiling.
- Install the camera in the foundation area of the architecture or where sufficient strength is assured.
- Do not mount the product on a plaster board or a wooden section because they are too weak. If the product is unavoidably mounted on such a section, the section shall be sufficiently reinforced.
- The camera has heavy salt damage resistance treatment applied, but this does not ensure complete resistance against corrosion. Please pay attention to the installation location such as in places where seawater does not splash directly. Prepare heavy salt damage resistance treatment for the foundation of the installation site, and installation support such as pole mounts. <WV-X66700 Series> <WV-X66600 Series> <WV-X66300 Series>

### ■ **Mounting method for this product.**

This product is designed to be used as a pendant mount camera. If the product is mounted on a desktop or at a slant, it may not work correctly and its lifetime may be shortened.

### ■ **Do not place this product in the following places**

- Locations where a chemical agent is used such as a swimming pool
- Locations subject to moisture or oil smoke such as a kitchen
- Locations that have a specific environment that is subject to an inflammable atmosphere or solvents
- Locations where a radiation, an X-ray, a strong radio wave or a strong magnetic field is generated
- Locations near coasts directly subjected to sea breezes, <WV-S66700 Series> <WV-S66600 Series> <WV-S66300 Series> or locations subject to corrosive gases such as from hot springs, volcanic regions, etc.
- Locations where the temperature is not within the specified range
- Locations subject to vibrations, such as on vehicles, marine vessels, or above product lines (This product is not designed for on-vehicle use.)
- Locations subject to condensation as the result of severe changes in temperature such as near the outdoor unit of an air conditioner.
- Locations near rubber products containing sulfur (packing, rubber feet, etc.)

### ■ **Screw tightening**

Do not use an impact driver. Use of an impact driver may damage the screws or cause tightening excessively.

### ■ **About reflection of light from outside or IR light**

A ghost may appear on the screen depending on the incident angle of external light. In the case of using the IR light, installation of a camera near a wall may cause reflection of infrared rays resulting in a part of the screen or the entire screen turning whitish.

- Refer to our technical information website <Control No.: C0109> for image examples and measures to take.

### ■ **Take notice of humidity**

Install this product when the humidity is low. If installation is performed when it is raining or in very humid conditions, the inside may be affected by humidity, causing mist-over inside the dome cover.

### ■ **Protection from lightning**

When cables are used outdoors, there is a chance that they may be affected by lightning. In such a case, install a lightning arrestor close to the camera, and make the length of the network cable between the camera and lightning arrestor as short as possible to prevent the camera from being affected by lightning. Refer to our technical information website <Control No.: C0121>

### ■ **When noise disturbance may happen**

Noise may appear in video or audio near a strong electric field from a TV or radio antenna, motors and transformers, or a strong electric field/magnetic field from a power line (lamp line) of AC100 V or more. Conduct the power distribution work to keep 1 m {3.28 feet} away from them or conduct the electric conduit work using metal pipes. (Be sure to make ground connection of the metal pipes.)

■ **Equipment classification and power source indication label**

Refer to the indication label on the bottom side of this unit for the equipment classification, power source, and other information.

■ **About static electricity**

Before installing or removing this product, be sure to touch metal objects to discharge static electricity from your body.

## Specifications

Power source *1:	<b>&lt;All models&gt;</b> PoE++ (IEEE802.3bt compliant) <b>&lt;WV-S66300 Series&gt; &lt;WV-X66300 Series&gt;</b> PoE+ (IEEE802.3at compliant) *2
Power consumption *1:	<b>&lt;IR LED light equipped model&gt;</b> PoE++ DC 54 V : 850 mA / approx. 45.9 W (Class 6 device) PoE+ DC 54 V *2: 470 mA / approx. 25.4 W (Class 4 device) <b>&lt;Non IR LED light equipped model&gt;</b> PoE++ DC 54 V : 700 mA / approx. 37.8 W (Class 6 device) PoE+ DC 54 V *2: 320 mA / approx. 17.3 W (Class 4 device)
Operating environment Ambient operating temperature:	<b>PoE++</b> -50 °C to +60 °C *3 {-58 °F to +140 °F} (Power On range: -30 °C to +60 °C {-22 °F to +140 °F}) <b>PoE+ *2</b> -20 °C to +60 °C *3 {-4 °F to +140 °F}
Ambient operating humidity:	10 % to 100 % (no condensation)
Storage environment Storage temperature:	-30 °C to +60 °C {-22 °F to +140 °F}
Storage humidity:	10 % to 95 % (no condensation)
Waterproof *4:	IP66 (IEC 60529), Type 4X (UL50E), NEMA 4X compliant
Shock resistance:	IK10 (IEC 62262)
Wind resistance:	Up to 40 m/s {approx. 89 mph}
Dimensions:	Maximum diameter: ø167 mm × 205 mm (H) {ø6-9/16 inches × 8-1/16 inches (H)} Dome radius: 77.5 mm {3-1/16 inches} (excluding the mounting and bump parts)
Mass:	Approx. 3 kg {6.62 lbs} (excluding attachments)
Finish:	<b>Main body:</b> Aluminum die cast, i-PRO white / Black (Heavy salt damage resistance coating) <b>&lt;WV-X66700 Series&gt; &lt;WV-X66600 Series&gt;</b> <b>&lt;WV-X66300 Series&gt;</b> PC resin, Black <b>Outer fixing screws:</b> Stainless steel (Corrosion-resistant treatment) <b>Dome cover:</b> PC resin, Clear (with ClearSight coating*5)
Others:	Tamper-resistant enclosure*6 NEMA TS2 Compliant Maximum temperature according to NEMA TS 2 (2.2.7): 74 °C {165 °F}

\*1 Refer to our technical information website <Control No.: C0106> for further information about Power source and Power consumption information.

\*2 The PoE+ power supply is supported from software version 3.65 or later. When using PoE+ power supply, the heater function is always turned off, and the lens pan/tilt speed is limited to a maximum of 90°/s.

\*3 When using with the IR LED light constantly lit, the upper limit of the operating temperature range is +50°C {+122 °F}.

- \*4 Only when installation work is properly performed according to the Installation Guide and appropriate waterproof treatment is performed.
- \*5 There are models that are equipped with ClearSight coating and models that are not.
- \*6 Component that has a structure on which the screws that are accessible after installation cannot be screwed or unscrewed using an ordinary screwdriver.

## Optional accessories






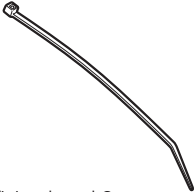
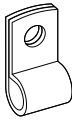
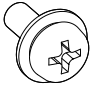
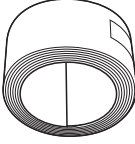

The latest information → Technical information website “Accessory Selector”  
<Control No.: C0501>

## Troubleshooting

Before requesting service, refer to “Troubleshooting” of Web Guide. Then, confirm the trouble.

## Standard accessories

Important Safety Instructions ..... 1 pc.

 <p>Bit 1× (Hex wrench, screw size 6.35 mm {1/4 inches} T20)</p>	 <p>RJ45 Waterproof connector cap 1×</p>	 <p>Waterproof rubber A 1× Waterproof rubber B 1×</p>	 <p>Fixing band 2× (of them, 1 for spare)</p>
 <p>Clamper 1×</p>	 <p>Fixing screw 2× (of them, 1 for spare)</p>	 <p>Waterproof tape 1×</p>	 <p>Rain wash coating label 1× (with ClearSight coating model only)</p>

## Other items that are needed (not included)

- Mounting screws

Installation method	Recommended screw <sup>*1</sup>	Minimum pull-out strength <sup>*2</sup>
Type1 WV-QSR506 (Mount bracket) + WV-QCL501 ( Ceiling mount bracket)	M10 x 30 mm {1-3/16 inches} / 4 pcs.* <sup>3</sup>	1411 N {317 lbf}
Type1 WV-QSR506 (Mount bracket) + WV-QWL501 (Wall mount bracket)	M10 x 30 mm {1-3/16 inches} / 4 pcs.* <sup>3</sup>	823 N {185 lbf}
Type2 WV-QSR506F/ WV-QSR506M (Mount bracket) + Locally procured bracket	Refer to the operating instructions of the locally procured bracket.	
Type3 WV-QJB505 (Base bracket)	M4 x 16 mm {5/8 inches} / 4 pcs.* <sup>3</sup>	196 N {44 lbf}
Type4 WV-QEM505 (Ceiling mount bracket)	Refer to the installation guide of WV-QEM505.	
Type5 WV-QWL502 (Wall mount bracket)	Refer to the installation guide of WV-QWL502.	

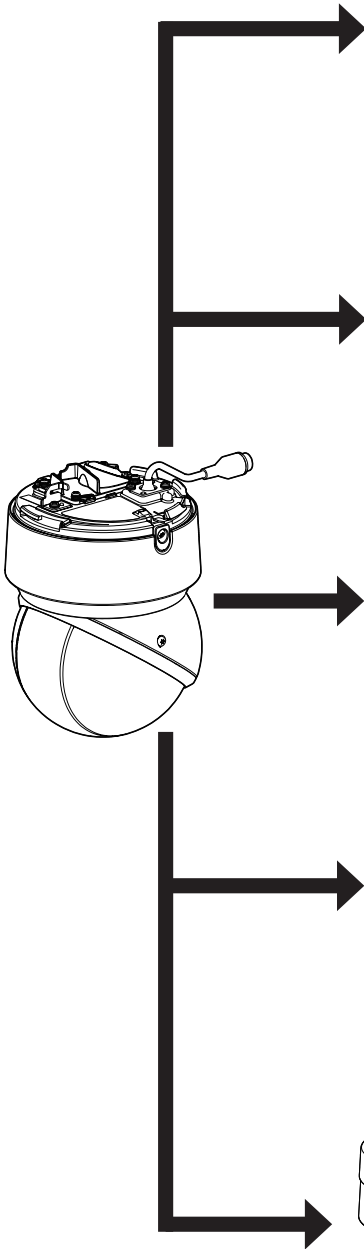
\* Refer to page 11 for an image of how this product is combined with Type 1 to Type 5 mounting brackets.

\*1 Select screws according to the material of the location that the camera will be mounted to. In this case, wood screws and nails should not be used.

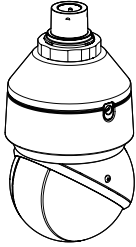
\*2 This value indicates the minimum pull-out strength required value per screw. For information about the minimum pull-out strength, refer to our technical information website <Control No.: C0120>.

\*3 The screw length is an example when installing the camera on a robust installation surface with a thickness of 20 mm {25/32 inches} or more.

- Ethernet cable with RJ45 plug (category 5e or better, straight, all 4 pairs (8 pins), less than 100m {328 feet})

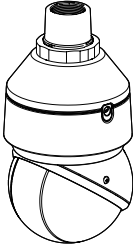


**Type1**



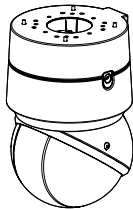
WV-QSR506-W/ WV-QSR506S-W  
 ⇒ page 12 - 18 (Preparations)  
 ⇒ page 19

**Type2**



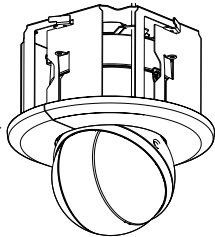
WV-QSR506M-W/ WV-QSR506M1-W  
 WV-QSR506F-W/ WV-QSR506F1-W  
 ⇒ page 12 - 18 (Preparations)  
 ⇒ page 25

**Type3**



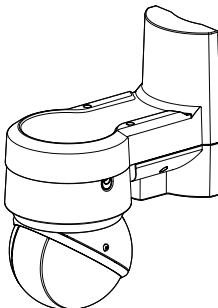
WV-QJB505-W  
 ⇒ page 12 - 18 (Preparations)  
 ⇒ page 31

**Type4**



WV-QEM505-W  
 ⇒ the installation guide  
 of WV-QEM505

**Type5**



WV-QWL502-W  
 ⇒ the installation guide  
 of WV-QWL502

# Installation Procedure

See Web Guide

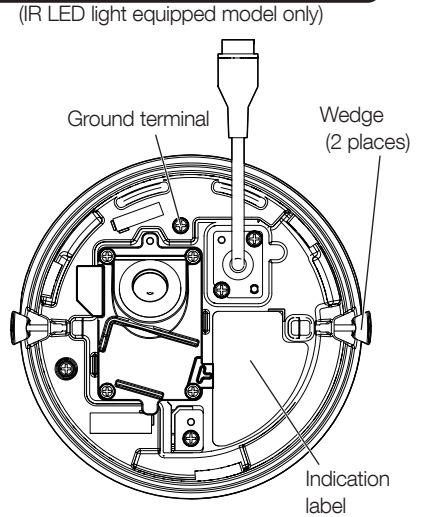
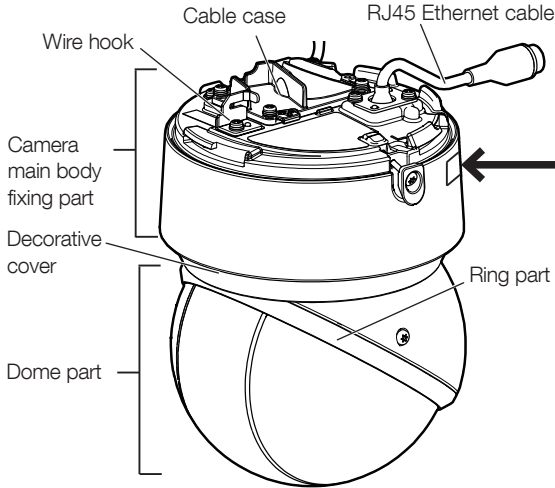
## Parts and functions

### Note:

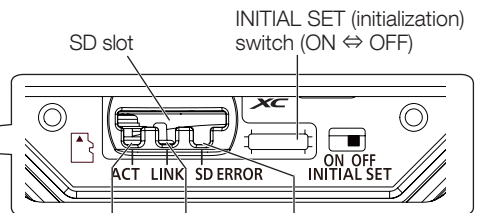
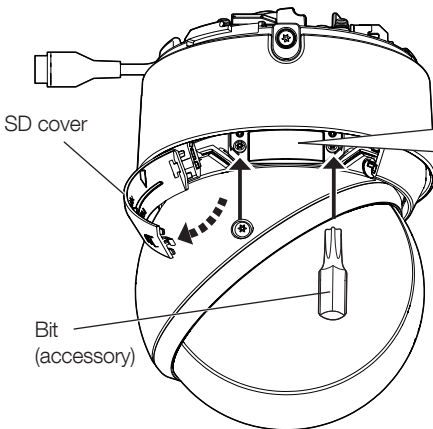
A pattern of dripping liquid may be visible on the ring around the dome cover.

These marks are created when ClearSight coating is applied to the dome cover and do not affect performance.

(with ClearSight coating model only)



(IR LED light equipped model only)



ACT indicator      LINK indicator      SD ERROR indicator



\* The SD cover is omitted in the illustration above.



**CAUTION**  
**ATTENTION**



**RISK GROUP 2**  
**GROUPE DE RISQUE 2**

IR emitted from this product. Avoid eye exposure.  
Use appropriate shielding or eye protection.

IR émis par ce produit. Éviter toute exposition des yeux.  
Utiliser un écran ou une protection oculaire approprié(e).

**注意**



**リスクグループ 2**

この製品から赤外線が放射されています。  
赤外線を直視しないでください。  
適切なシールドまたは目の保護具を使用すること。



• All LEDs turn off  
⇒ Refer to the "Indicators" section of User manual.

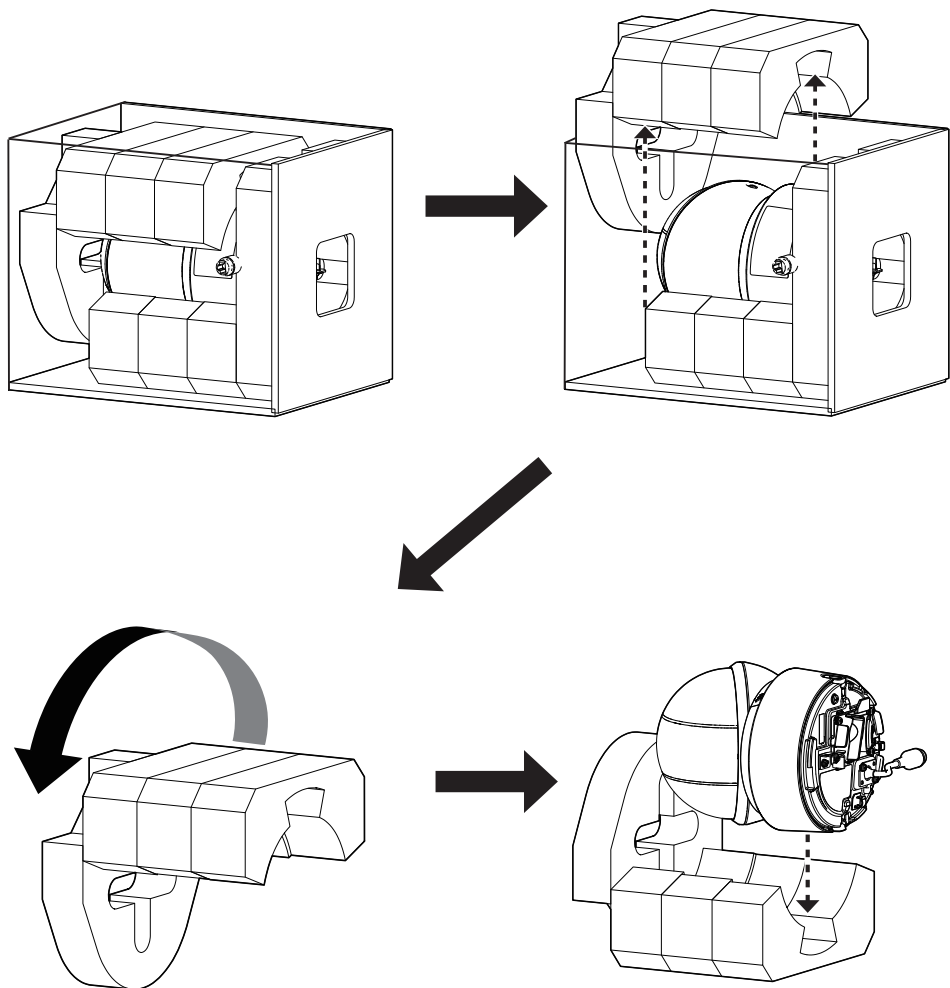
# Step 1

## Preparations

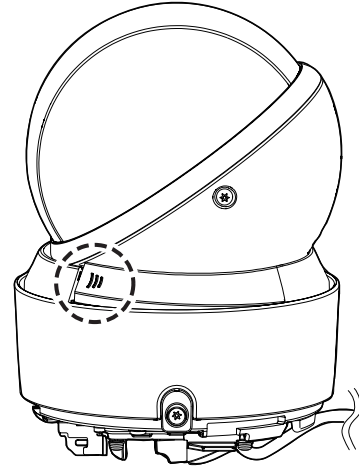
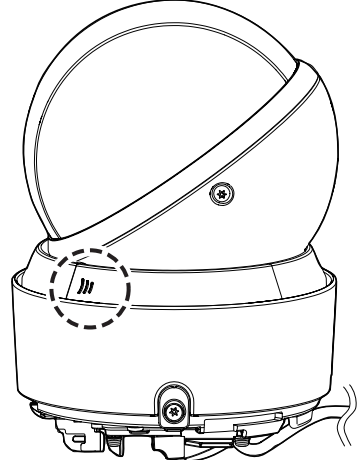
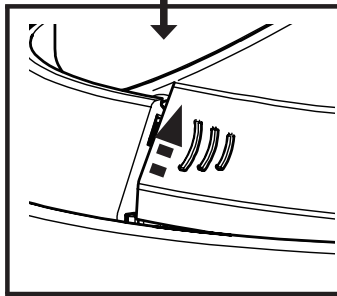
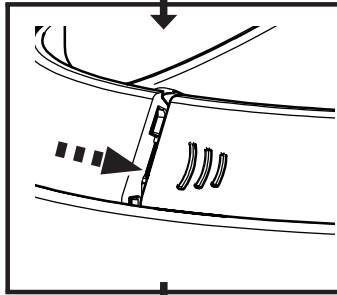
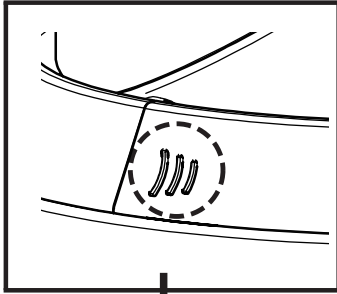
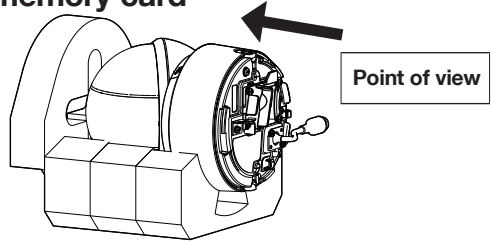
### Common

**Note:**

The illustration below shows the image of the inside of the packing box of this puoroduct.



■ When using a microSD memory card

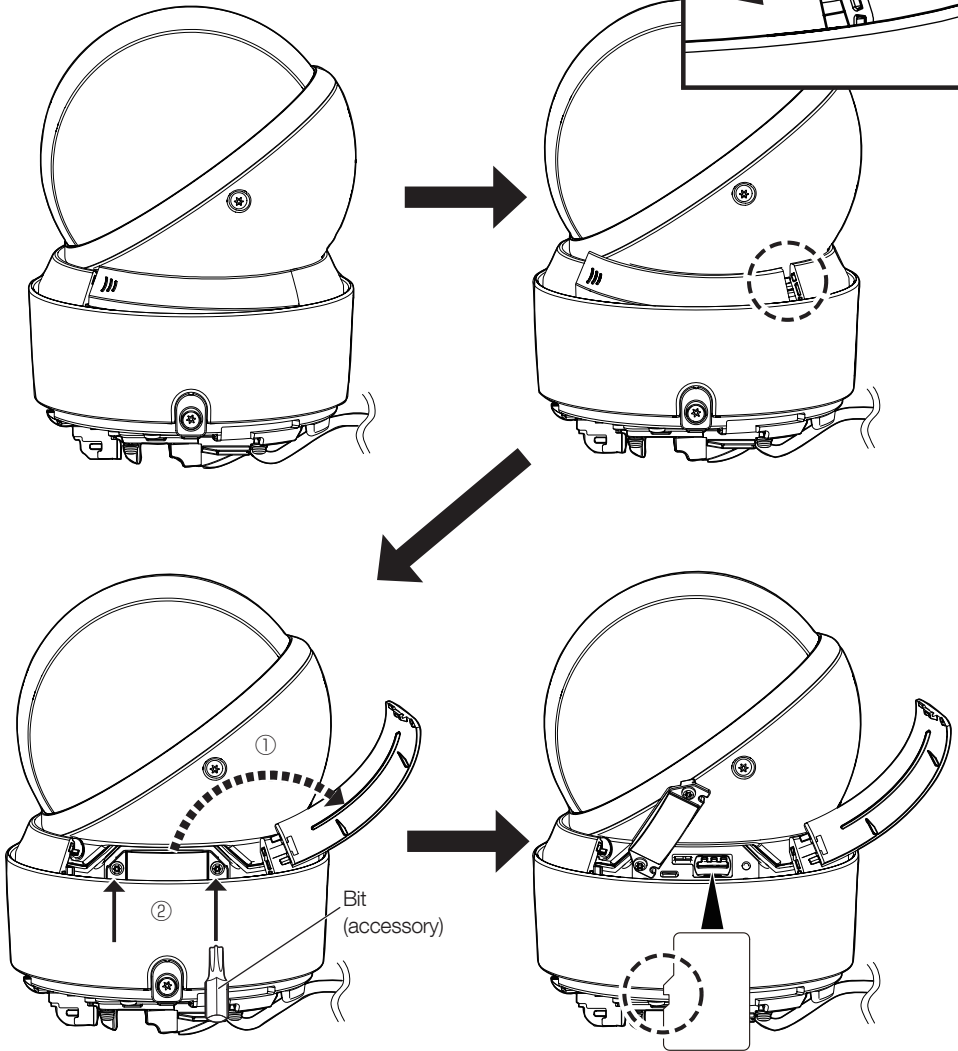
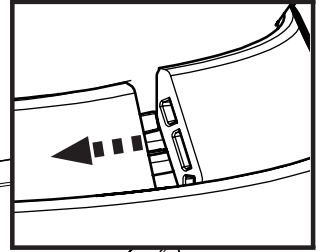


**Note:**

Lift the decorative cover by hooking your fingertips in the gap created by sliding the decorative cover.

## ■ When using a microSD memory card (Continued)

- Slide the decorative cover to the left and remove the hook on the right end.
- Insert a microSD memory card into the SD slot.

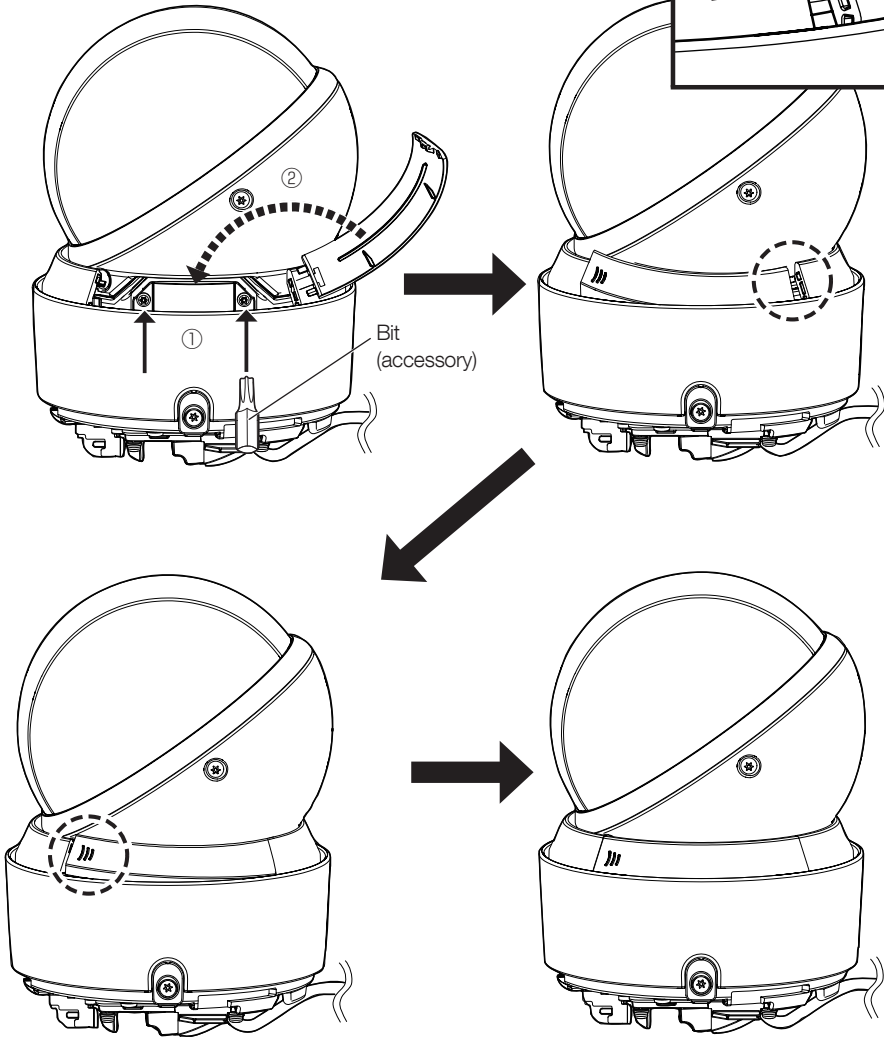
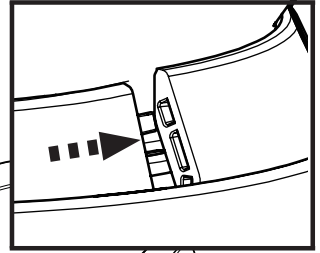


- User manual [Format]
- Use a microSD memory card dedicated to i-PRO cameras.

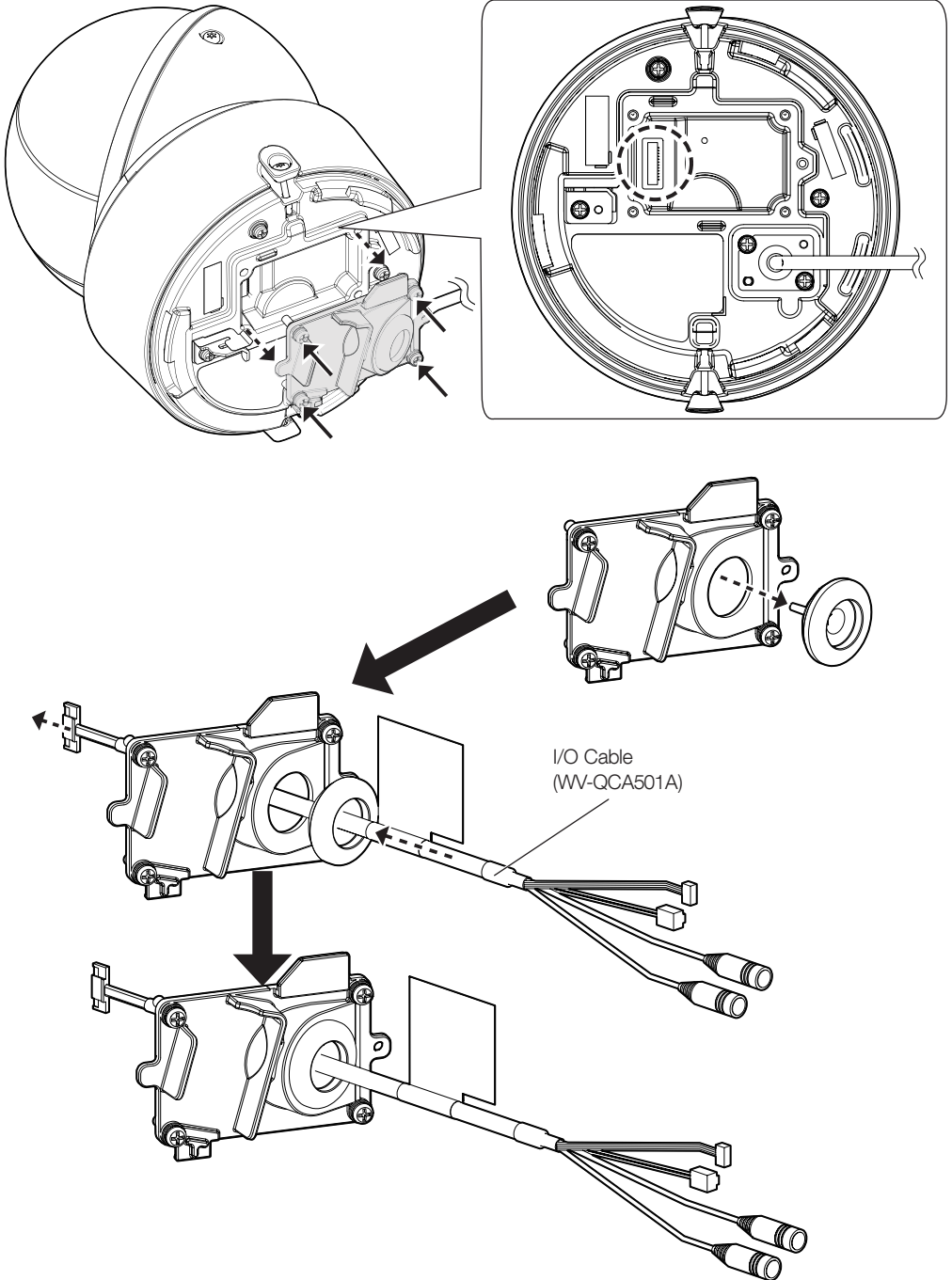
## ■ When using a microSD memory card (Continued)



Recommended tightening torque:  
0.78 N·m {0.58 lbf·ft}



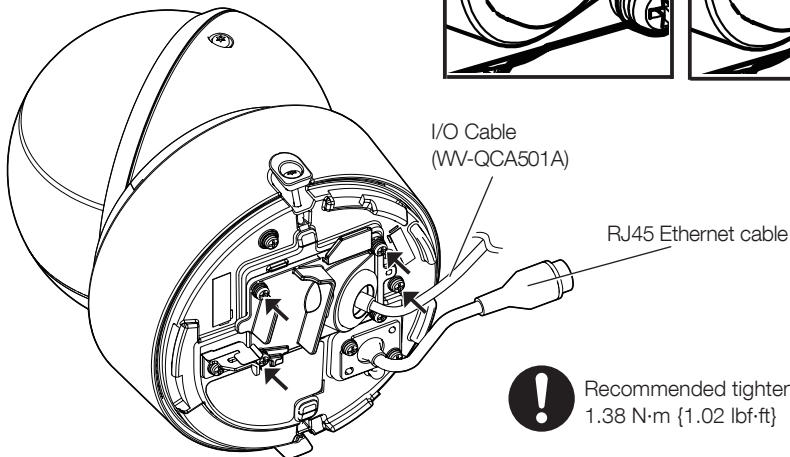
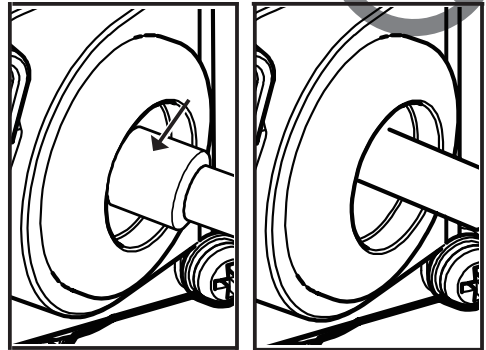
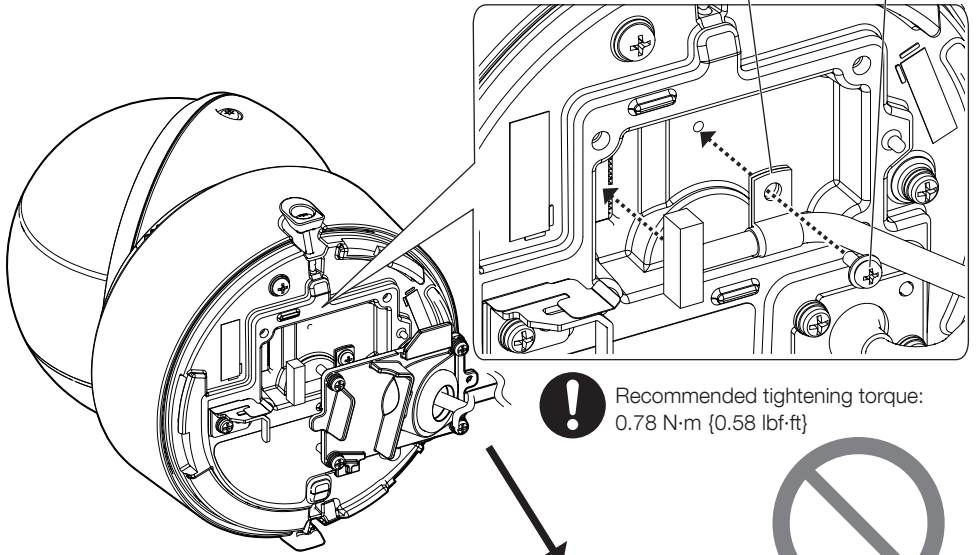
■ When using an I/O Cable (WV-QCA501A)



## ■ When using an I/O Cable (WV-QCA501A) (Continued)

Clamper  
(accessory)

Fixing screw  
(M3: accessory)

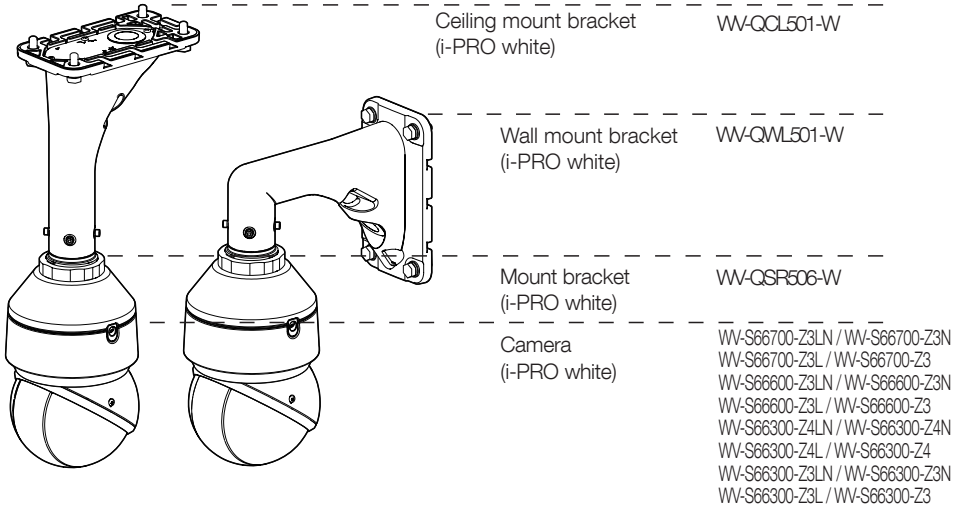


# Installation Type1

## Step 2

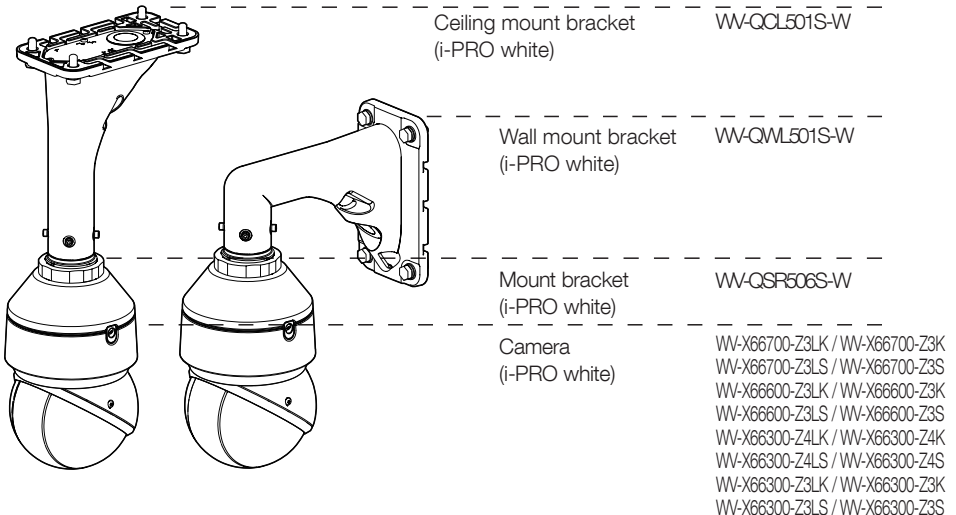
### Check of combination of brackets

#### Installation with normal specification



#### Installation with heavy salt damage resistance specification

(Heavy salt damage resistance)



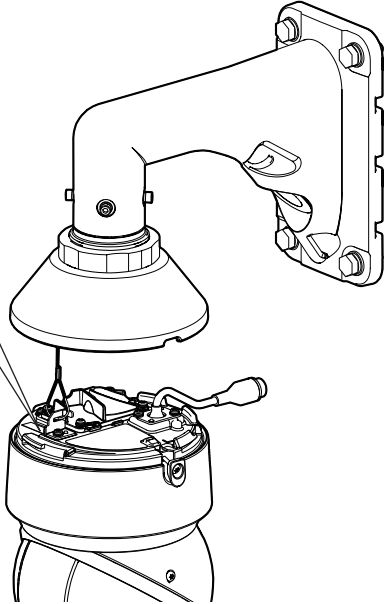
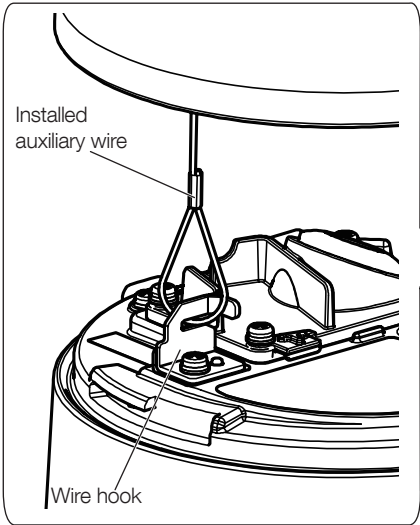
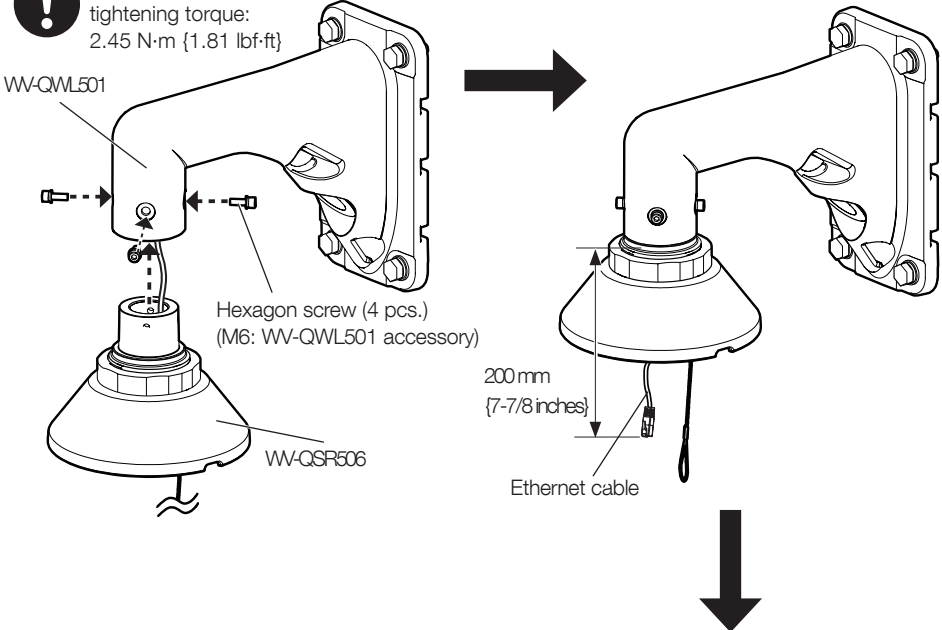
\* The following describes an example of installing WW-QSR506 and WW-QWL501 in combination. In other cases, refer to this manual together with the operating instructions for the other brackets to be used.

# Step 3

Refer to the operating instructions of the bracket for how to fix WV-QWL501 to the installation surface. Some of the connecting cables may be omitted in the illustrations.

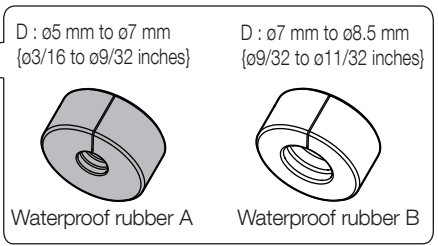
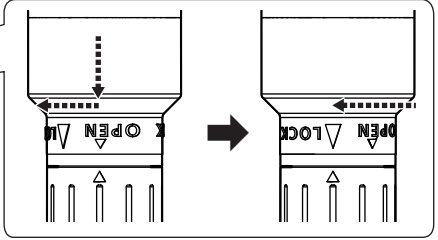
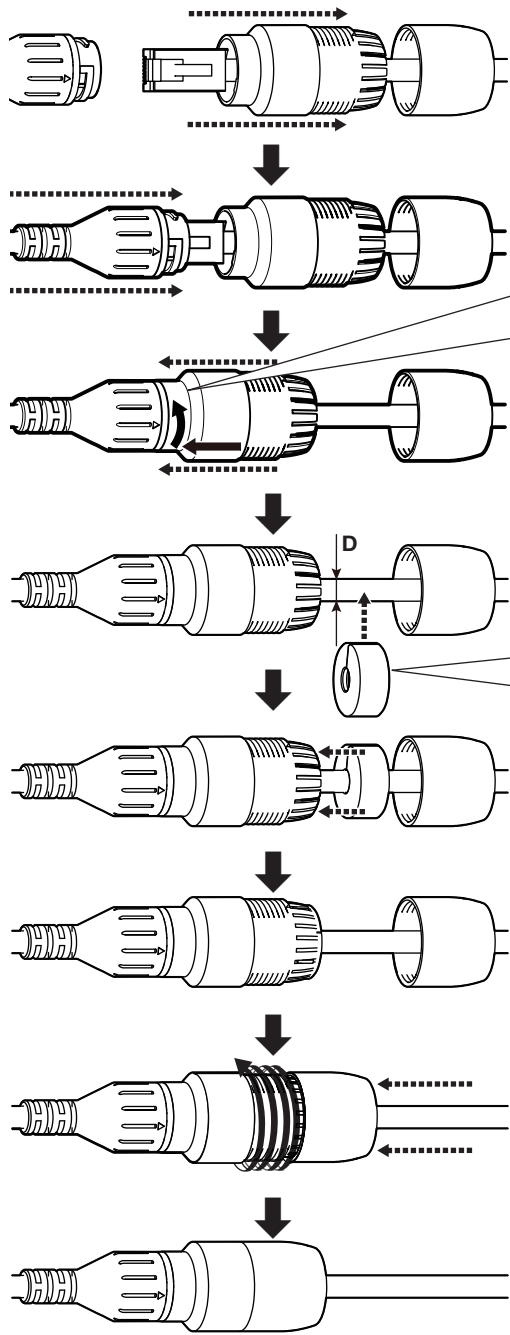


Recommended tightening torque:  
2.45 N·m {1.81 lbf·ft}



# Step 4

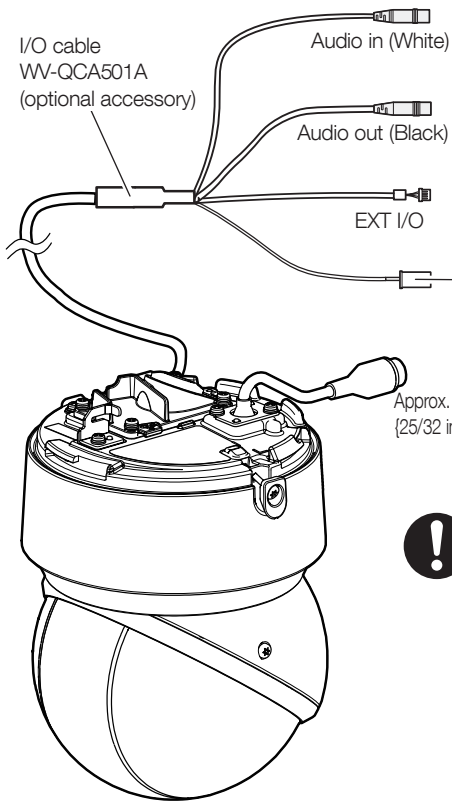
## RJ45 waterproof connector



\* If necessary, reinforce waterproofing with waterproof tape (accessory). Please note that using waterproof tape may make wiring difficult.

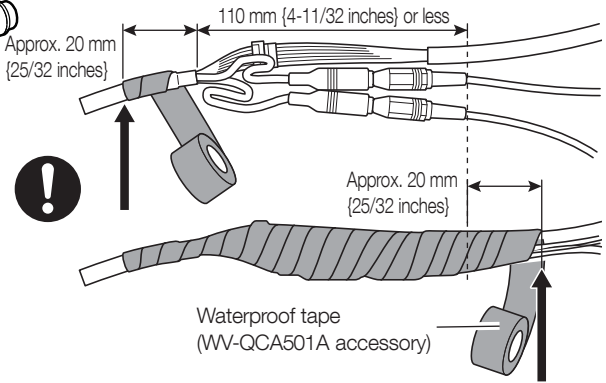
# Step 5

## When using an I/O cable

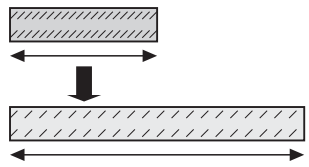


- < 1 m {3.28 feet} (Mic)
- < 10 m {32.8 feet} (Line)
- < 10 m {32.8 feet}
- 4P alarm cable (WV-QCA501A accessory)
  - GND (Black)
  - ALARM IN3 (Gray)
  - ALARM IN2 (Red)
  - ALARM IN1 (Green)

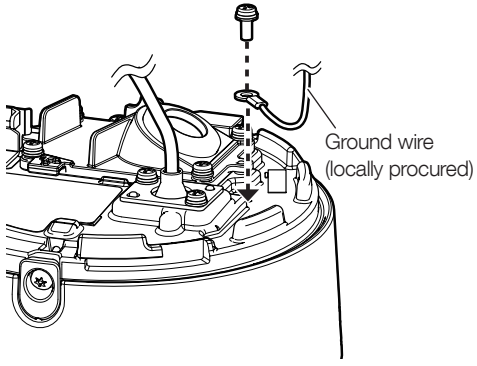
• This cable is not to be used. Apply waterproofing also to this cable as well as other cables.





Stretch the waterproof tape by about twice the length to use.



## Ground wire



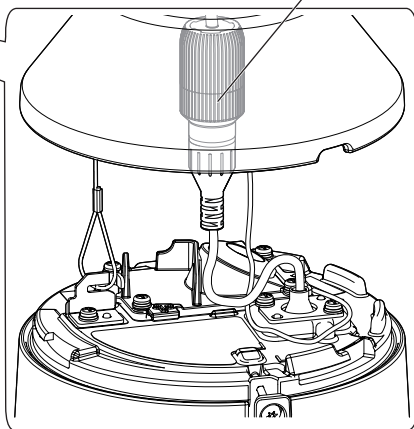
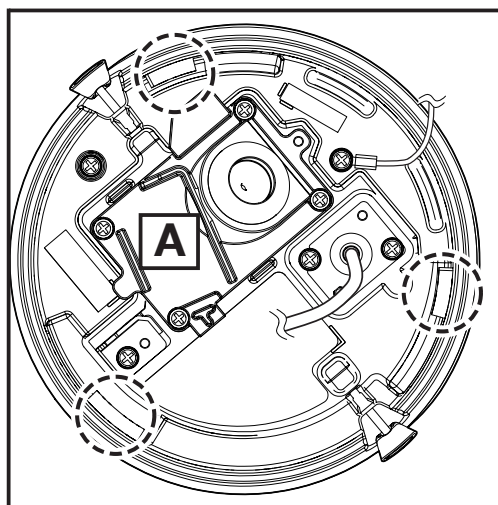
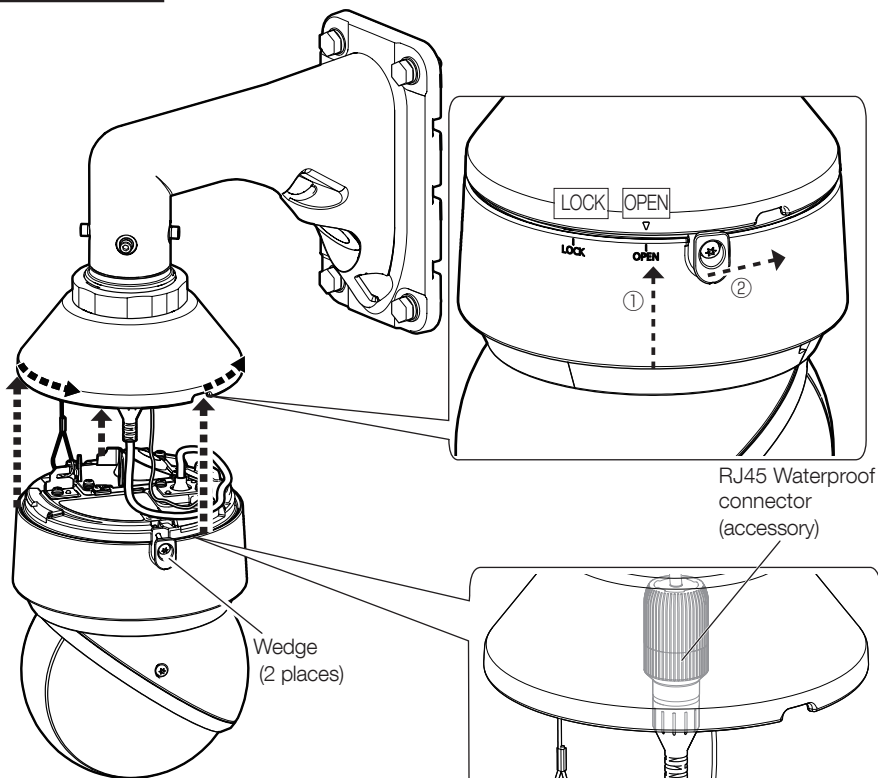
 Technical information website  
 "Countermeasure for Lightning Surge"  
 <Control No.:C0121>

 Recommended tightening torque:  
 0.78 N·m {0.58 lbf·ft}

## Step 6



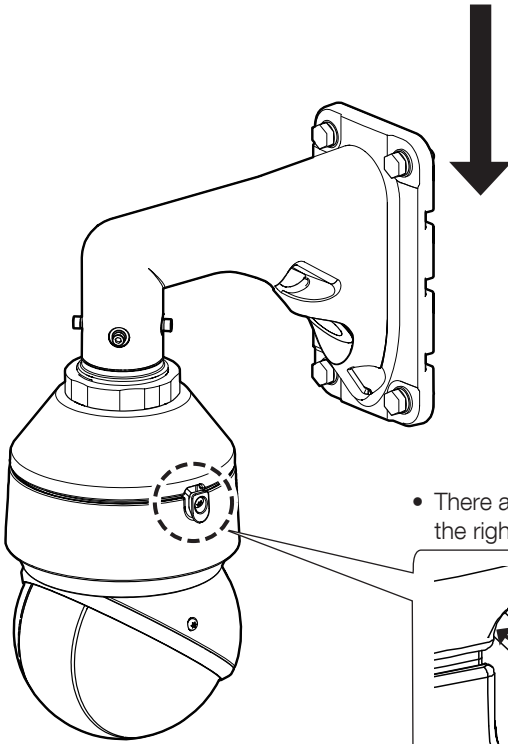
- Before temporarily securing the camera to the bracket, remove the tape securing the left and right wedge sections and ensure that the threads are not caught.



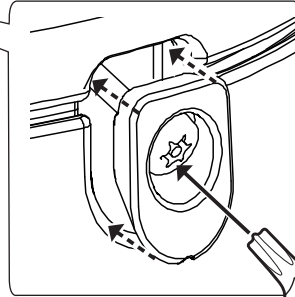
- When using an I/O cable, place the cables wrapped with waterproof tape (accessory) on part **A** in the left illustration.



See Web Guide

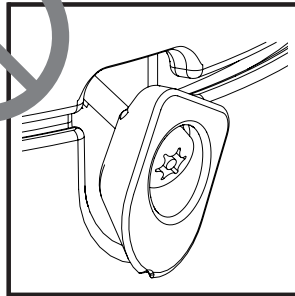
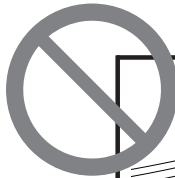
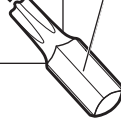


- There are two fixing screws, one on the right side and one on the left side.



Recommended  
tightening torque:  
0.78 N·m {0.58 lbf·ft}

Bit  
(accessory)



**Type1 Finish**

# Installation Type2

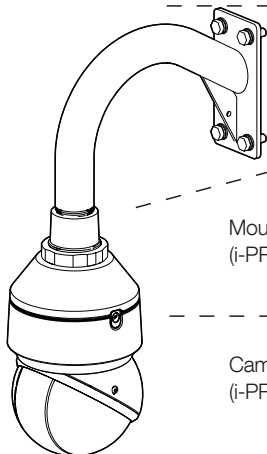
## Step 2

### Check of combination of brackets

ISO

ANSI

Locally procured bracket



Mount bracket  
(i-PRO white)

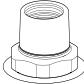
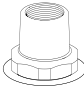
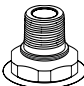
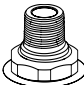
WW-QSR506F-W  
WW-QSR506M-W

WW-QSR506F1-W  
WW-QSR506M1-W

Camera  
(i-PRO white)

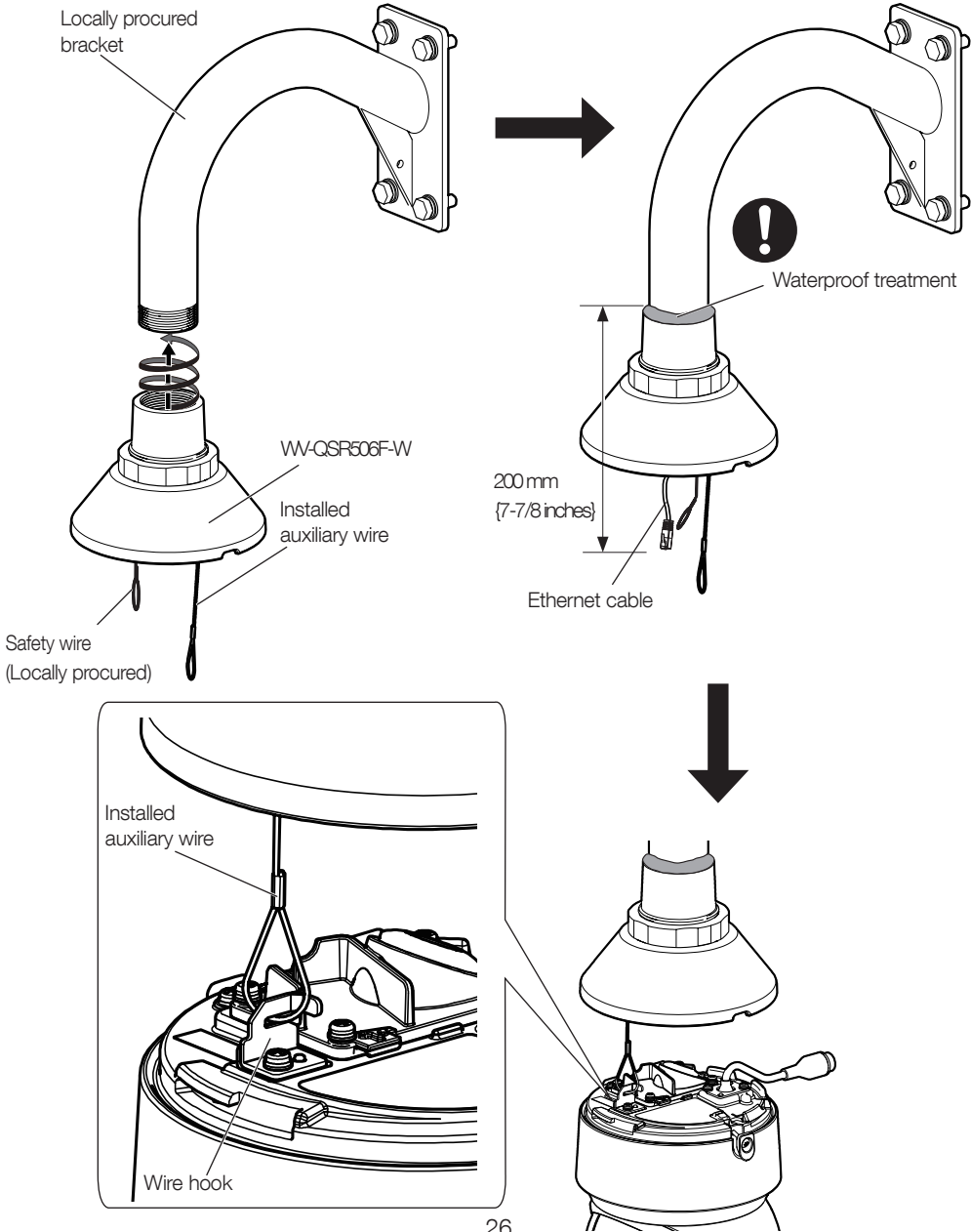
WW-S66700-Z3LN / WW-S66700-Z3N  
WW-S66700-Z3L / WW-S66700-Z3  
WW-S66600-Z3LN / WW-S66600-Z3N  
WW-S66600-Z3L / WW-S66600-Z3

WW-S66300-Z4LN / WW-S66300-Z4N  
WW-S66300-Z4L / WW-S66300-Z4  
WW-S66300-Z3LN / WW-S66300-Z3N  
WW-S66300-Z3L / WW-S66300-Z3

	Connection part specifications of this product		Mount bracket corresponding with this product
WW-QSR506F-W	<b>Female parallel pipe thread (ISO)</b> 40A, Rp 1-1/2, 11crest depth 25.4 mm {1 inch}		<b>Locally procured</b> 40A, R 1-1/2, 11crest length 25.4 mm {1 inch} or more (male taper pipe thread)
WW-QSR506F1-W	<b>Female parallel pipe thread (ANSI)</b> 40A, NPSC 1-1/2, 11.5 crest depth 25.4 mm {1 inch}		<b>Locally procured</b> 40A, NPT 1-1/2, 11.5 crest length 25.4 mm {1 inch} or more (male taper pipe thread)
WW-QSR506M-W	<b>Male taper pipe thread (ISO)</b> 40A, R 1-1/2, 11 crest length 25.4 mm {1 inch}		<b>Locally procured</b> 40A, Rp 1-1/2, 11 crest depth 25.4 mm {1 inch} or more (female parallel pipe thread)
WW-QSR506M1-W	<b>Male taper pipe thread (ANSI)</b> 40A, NPT 1-1/2, 11.5 crest length 25.4 mm {1 inch}		<b>Locally procured</b> 40A, NPSC 1-1/2, 11.5 crest depth 25.4 mm {1 inch} or more (female parallel pipe thread)

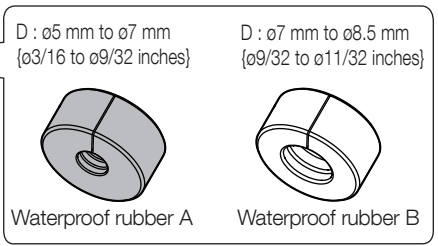
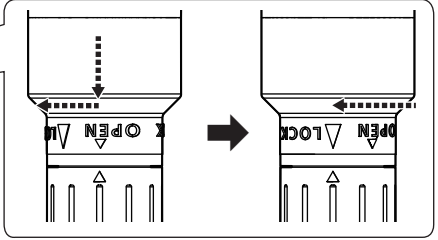
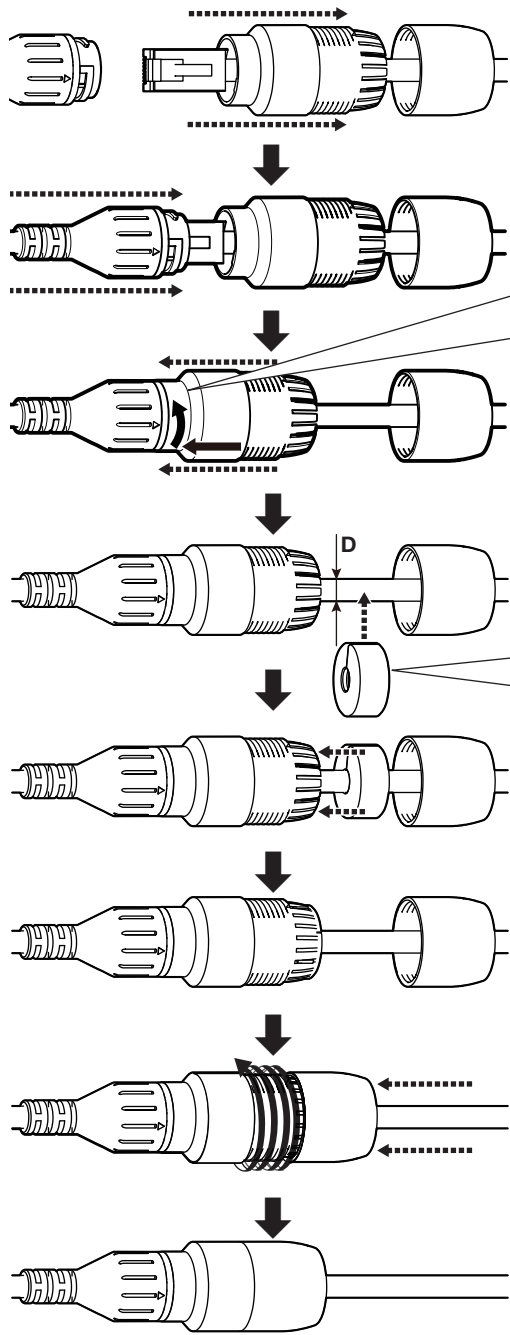
# Step 3

The following describes the outline of installing WV-QSR506F-W and the locally procured bracket in combination. Refer to the installation guide of WV-QSR506 for detailed installation procedures such as how to fix the safety wire. Some of the connecting cables may be omitted in the illustrations.



# Step 4

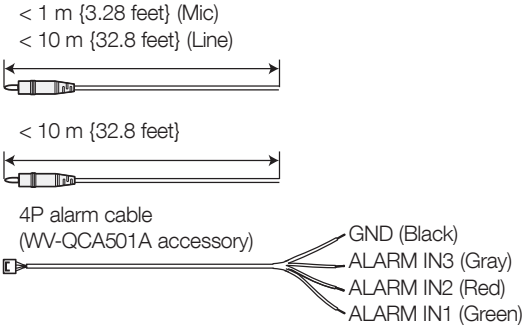
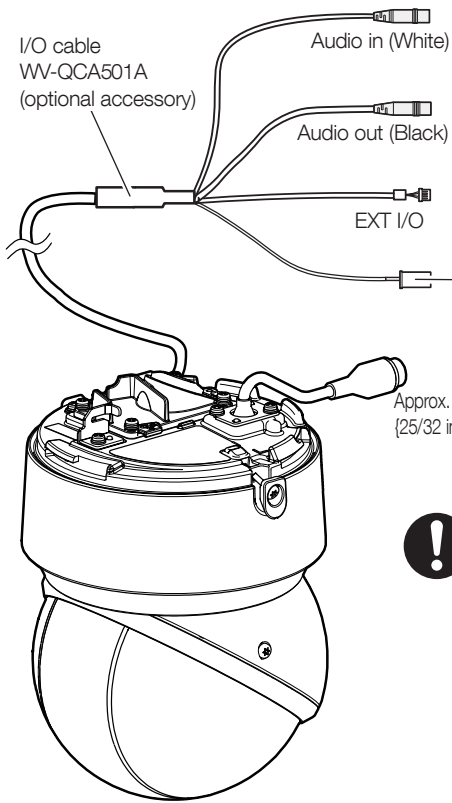
## RJ45 waterproof connector



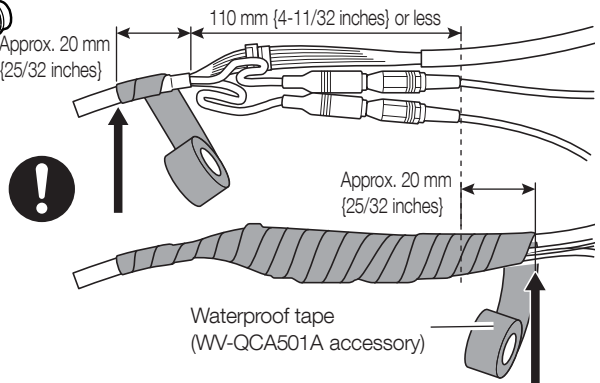
\* If necessary, reinforce waterproofing with waterproof tape (accessory). Please note that using waterproof tape may make wiring difficult.

# Step 5

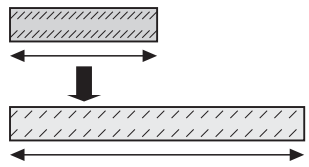
## When using an I/O cable



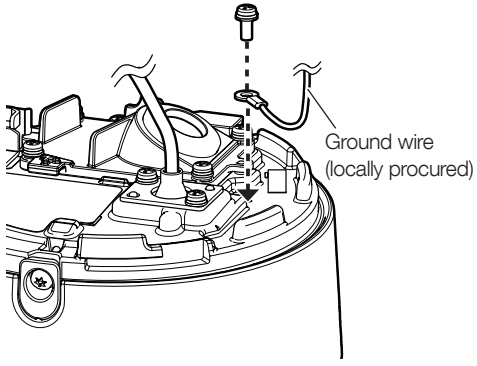
- This cable is not to be used. Apply waterproofing also to this cable as well as other cables.





Stretch the waterproof tape by about twice the length to use.



## Ground wire



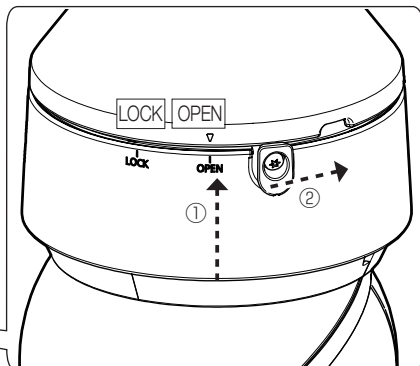
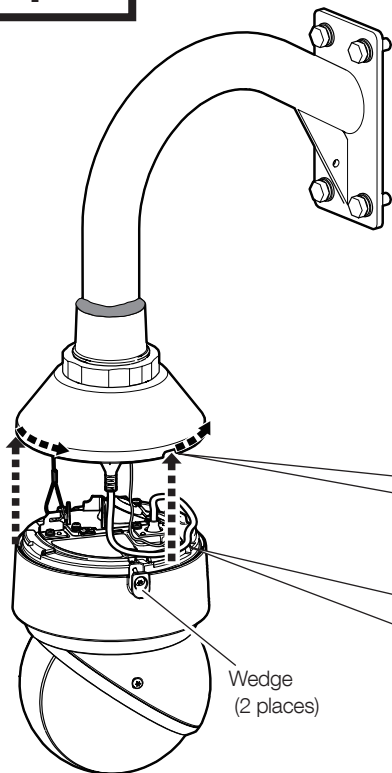
 Technical information website  
"Countermeasure for Lightning Surge"  
<Control No.:C0121>

 Recommended tightening torque:  
0.78 N·m {0.58 lbf·ft}

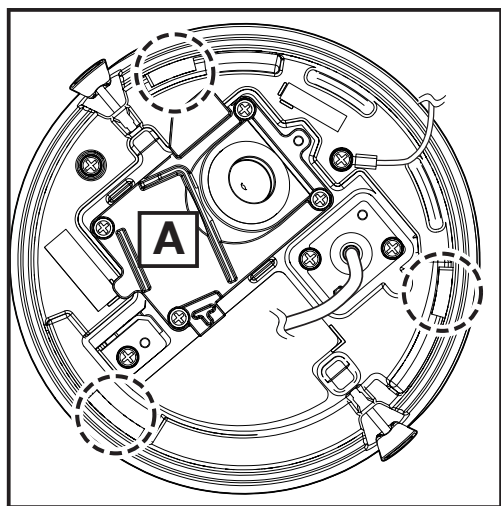
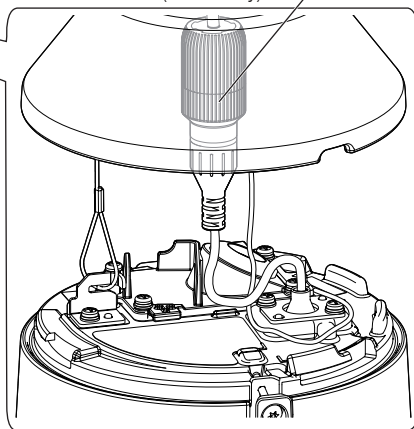
## Step 6



- Before temporarily securing the camera to the bracket, remove the tape securing the left and right wedge sections and ensure that the threads are not caught.



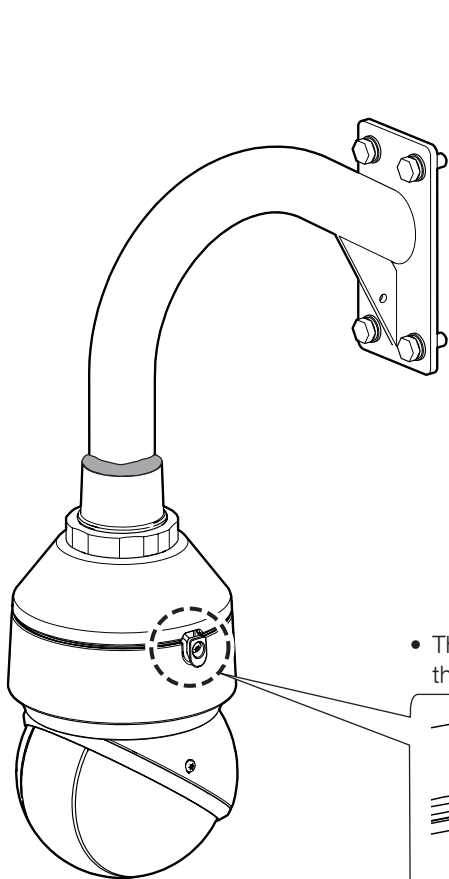
RJ45 Waterproof connector  
(accessory)



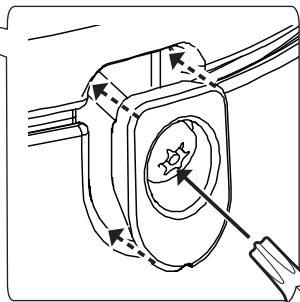
- When using an I/O cable, place the cables wrapped with waterproof tape (accessory) on part **A** in the left illustration.



See Web Guide

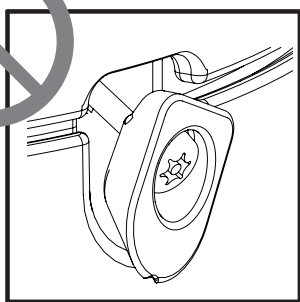
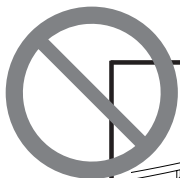


- There are two fixing screws, one on the right side and one on the left side.



Recommended  
tightening torque:  
0.78 N·m (0.58 lbf·ft)

Bit  
(accessory)

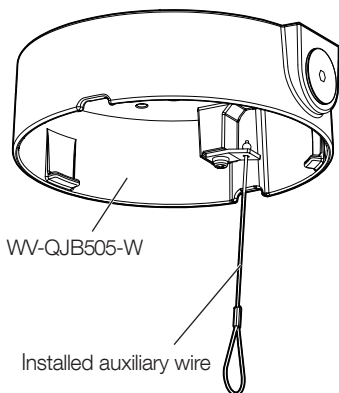


**Type2 Finish**

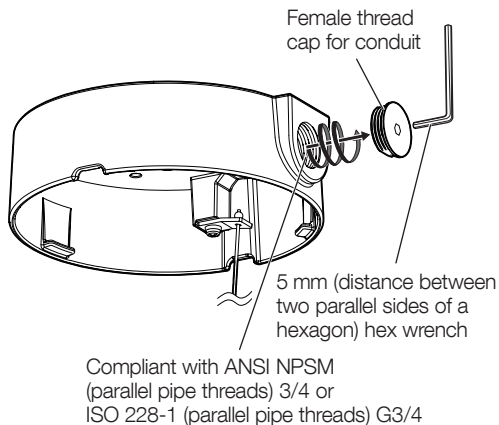
# Installation Type3

## Step 2

<When wiring from the ceiling>

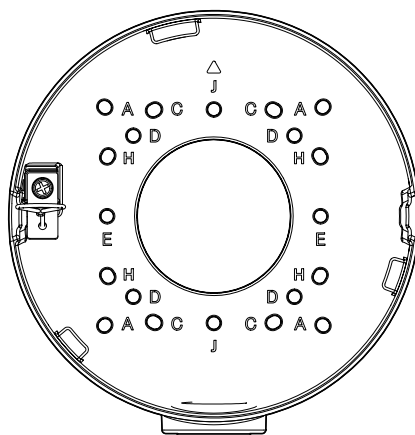


<When using the conduit>



## Step 3

This plate can be fixed at the following six screw positions depending on the condition of the installation surface. Use the same mounting holes from A to J.

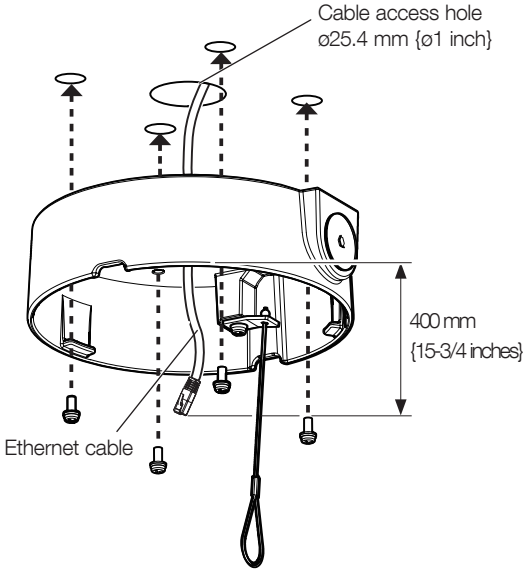


\* When installing to a single switch box, fix with two fixing screws (M4: locally procured).

	Length	Width
A	85 mm{3-11/32 inches} (85.7 mm{3-3/8 inches})	85 mm{3-11/32 inches} (85.7 mm{3-3/8 inches})
C	83.5 mm{3-9/32 inches} (83.3 mm{3-9/32 inches})	46 mm{1-13/16 inches} (47.6 mm{1-7/8 inches})
D	63 mm{2-15/32 inches}	63 mm{2-15/32 inches}
E*	-	83.5 mm{3-9/32 inches}
H	46 mm{1-13/16 inches} (47.6 mm{1-7/8 inches})	83.5 mm{3-9/32 inches} (83.3 mm{3-9/32 inches})
J*	83.5 mm{3-9/32 inches}	-

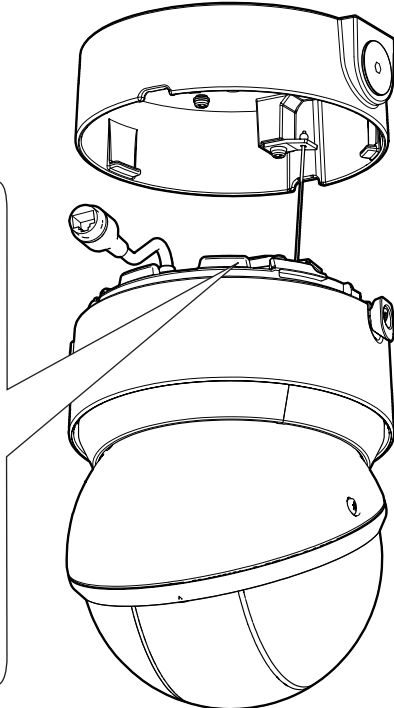
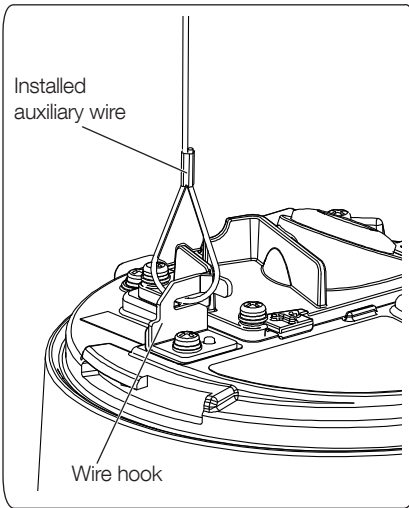
# Step 3

(Continued)



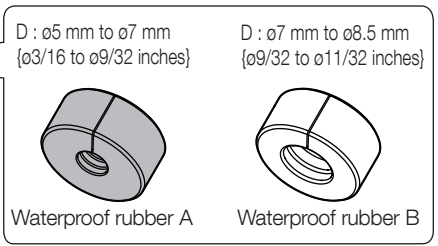
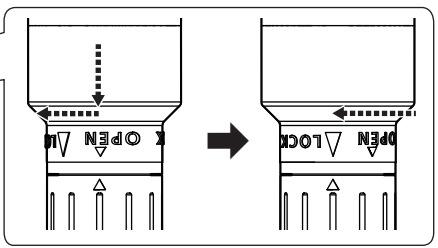
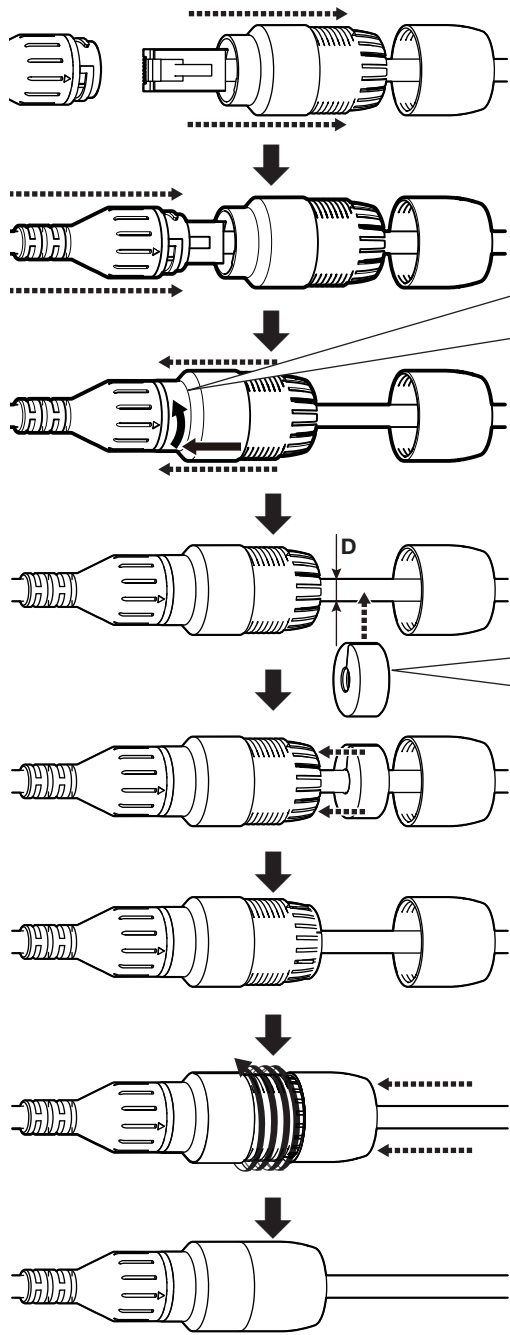
Fixing screw (4 pcs.)  
(M4: locally procured)  
Minimum pull-out strength:  
196 N {44 lbf} / per 1 pc.

# Step 4



# Step 5

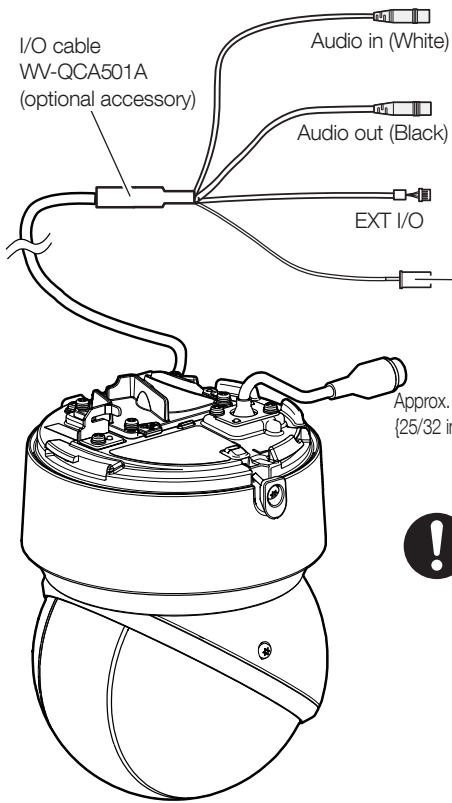
## RJ45 waterproof connector



\* If necessary, reinforce waterproofing with waterproof tape (accessory). Please note that using waterproof tape may make wiring difficult.

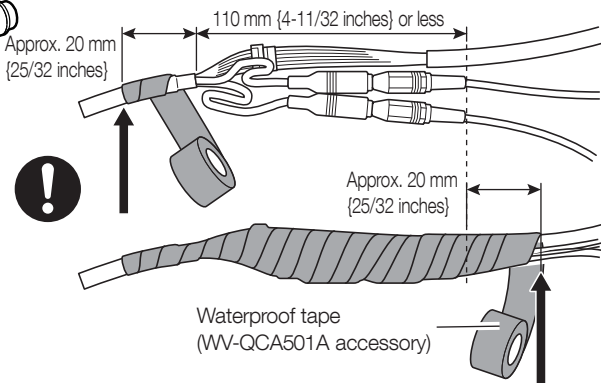
# Step 6

## When using an I/O cable

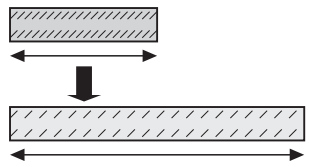


- < 1 m {3.28 feet} (Mic)
- < 10 m {32.8 feet} (Line)
- < 10 m {32.8 feet}
- 4P alarm cable (WV-QCA501A accessory)
  - GND (Black)
  - ALARM IN3 (Gray)
  - ALARM IN2 (Red)
  - ALARM IN1 (Green)

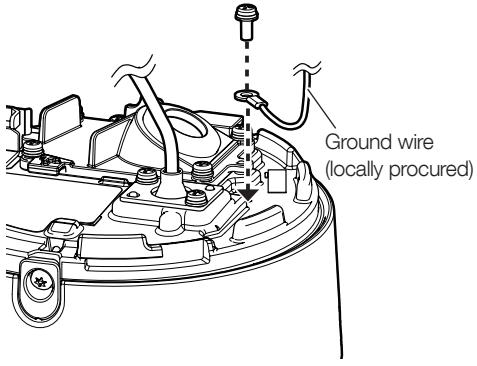
• This cable is not to be used. Apply waterproofing also to this cable as well as other cables.





Stretch the waterproof tape by about twice the length to use.



## Ground wire



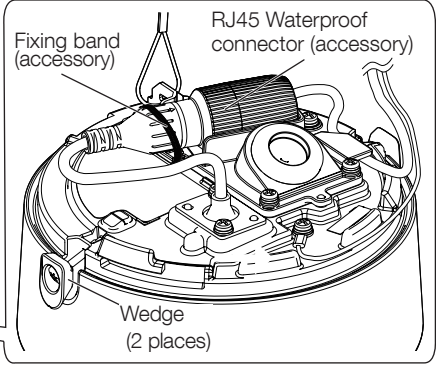
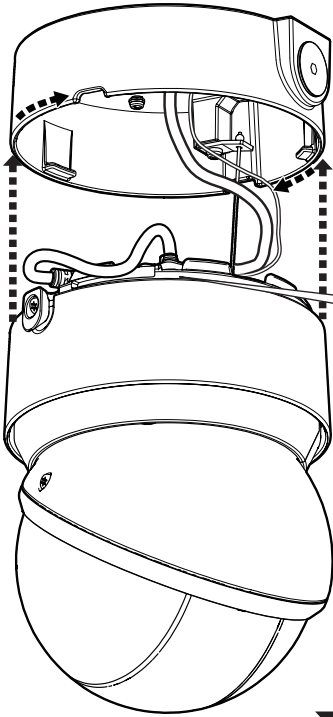
 Technical information website  
 "Countermeasure for Lightning Surge"  
 <Control No.:C0121>

 Recommended tightening torque:  
 0.78 N·m {0.58 lbf·ft}

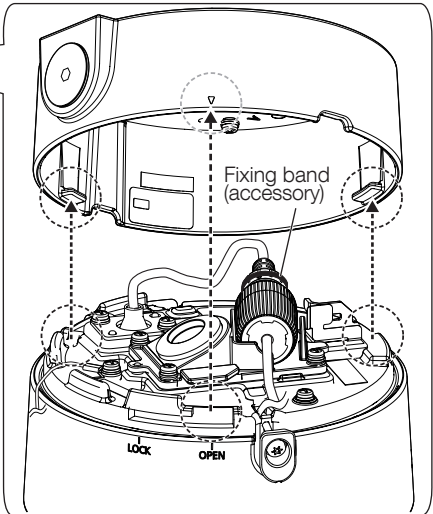
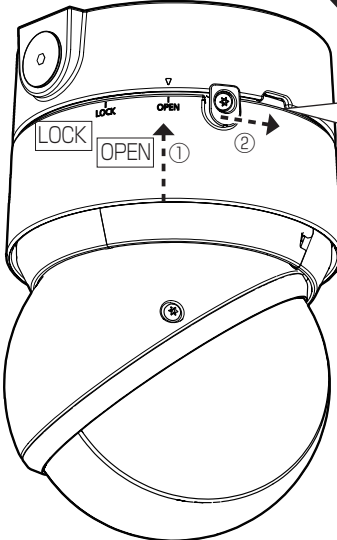
# Step 7



- Before temporarily securing the camera to the bracket, remove the tape securing the left and right wedge sections and ensure that the threads are not caught.



- Fix RJ45 waterproof connector (accessory) using fixing band (accessory) in the predetermined position on the cable cover.

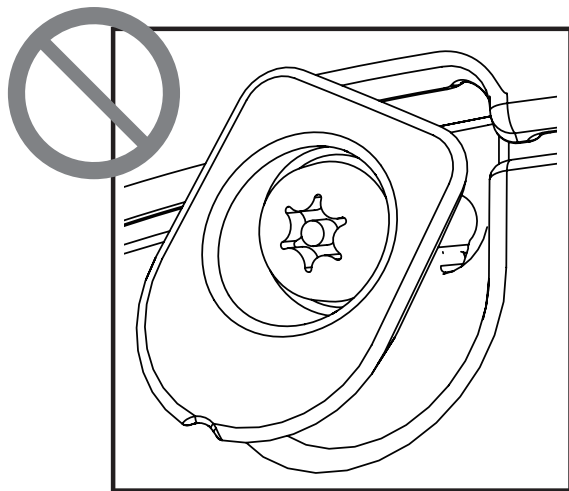
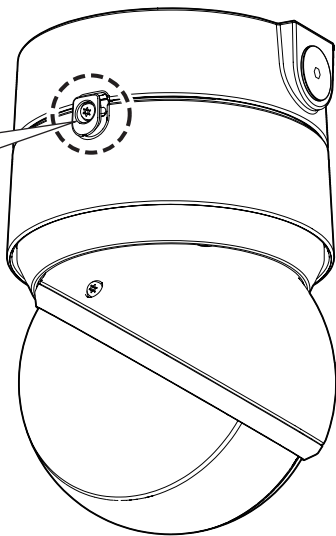
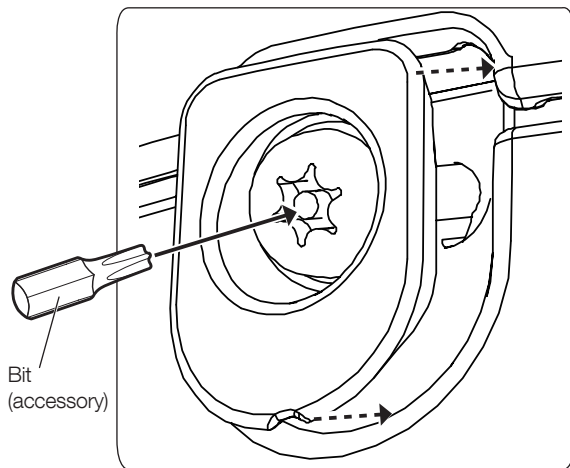


## Step 8



Recommended tightening torque:  
0.78 N·m [0.58 lbf·ft]

- There are two fixing screws, one on the right side and one on the left side.



**Type3 Finish**

## Guide d'installation

Instructions d'installation comprises

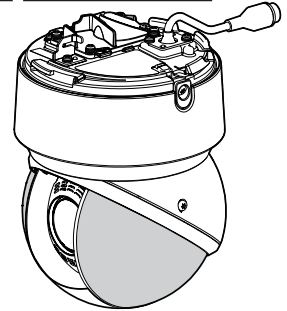
### Caméra en réseau

Pour usage professionnel uniquement

Usage extérieur

N° de modèle Série WV-S66700  
Série WV-S66600  
Série WV-S66300  
Série WV-X66700  
Série WV-X66600  
Série WV-X66300

(Série WV-X66x00: Résistance élevée aux dommages causés par le sel)



WV-S66700-Z3LN

- Les numéros de modèle abordés dans ce manuel sont décrits à la page 38.

### À propos des manuels d'instructions

La documentation du produit est composée des documents suivants.

- **Guide d'installation (la présente documentation):** Fournit des informations sur les "Mesures de précaution", "Précautions d'installation" et la méthode d'installation.
- **Guide Web (utiliser le lien sur le site Web d'informations produit suivant):** Inclut des vidéos d'installation, les fonctions de base et des méthodes d'utilisation basiques pour cet appareil.
- **Manuel d'instructions (utiliser le lien sur le site Web d'informations produit suivant):** Cette section décrit les instructions d'utilisation du logiciel communes à chaque modèle. [https://i-pro.com/products\\_and\\_solutions/en/surveillance/documentation-database](https://i-pro.com/products_and_solutions/en/surveillance/documentation-database)



"<Contrôle No.: C\*\*\*\*>" utilisé dans ces documents devrait être employé pour rechercher l'information sur notre site Web d'informations techniques ([https://i-pro.com/products\\_and\\_solutions/en/surveillance/learning-and-support/knowledge-base/technical-information](https://i-pro.com/products_and_solutions/en/surveillance/learning-and-support/knowledge-base/technical-information)) et vous guidera vers la bonne information.



- Nous vous recommandons de lire attentivement ces instructions avant de raccorder ou d'utiliser cet appareil et de conserver le livret des "Important Safety Instructions" pour toute référence ultérieure.
- La carte de mémoire microSDXC/ microSDHC/ microSD est décrite sous l'appellation de carte de mémoire microSD.
- L'aspect extérieur et d'autres parties apparaissant dans ce manuel peuvent présenter une différence avec le produit réel jusque dans des limites qui n'interféreront pas lors d'une utilisation normale pour des raisons d'amélioration du produit.

i-PRO Co., Ltd.

Tokyo, Japan

<https://www.i-pro.com/>

Authorised Representative in EU:  
i-PRO EMEA B.V.  
Laarderhoogtweg 25, 1101 EB  
Amsterdam, Netherlands

i-PRO EMEA B.V. UK Branch  
1010 Cambourne Business Park,  
Cambridgeshire CB23 6DP



• Ce manuel couvre les modèles suivants.

■ Modèles normaux:

Série WV-S66700 (WV-S66700-Z3LN<sup>\*1,3</sup>, WV-S66700-Z3N<sup>\*1,4</sup>, WV-S66700-Z3L<sup>\*2,3</sup>, et WV-S66700-Z3<sup>\*2,4</sup>)

Série WV-S66600 (WV-S66600-Z3LN<sup>\*1,3</sup>, WV-S66600-Z3N<sup>\*1,4</sup>, WV-S66600-Z3L<sup>\*2,3</sup>, et WV-S66600-Z3<sup>\*2,4</sup>)

Série WV-S66300 (WV-S66300-Z4LN<sup>\*1,3</sup>, WV-S66300-Z3LN<sup>\*1,3</sup>, WV-S66300-Z4N<sup>\*1,4</sup>, WV-S66300-Z3N<sup>\*1,4</sup>, WV-S66300-Z4L<sup>\*2,3</sup>, WV-S66300-Z3L<sup>\*2,3</sup>, WV-S66300-Z4<sup>\*2,4</sup>, et WV-S66300-Z3<sup>\*2,4</sup>)

■ Modèles ayant une résistance élevée aux dommages causés par le sel (Série WV-X66x00):

Série WV-X66700 (WV-X66700-Z3LK<sup>\*1,3</sup>, WV-X66700-Z3K<sup>\*1,4</sup>, WV-X66700-Z3LS<sup>\*2,3</sup>, et WV-X66700-Z3S<sup>\*2,4</sup>)

Série WV-X66600 (WV-X66600-Z3LK<sup>\*1,3</sup>, WV-X66600-Z3K<sup>\*1,4</sup>, WV-X66600-Z3LS<sup>\*2,3</sup>, et WV-X66600-Z3S<sup>\*2,4</sup>)

Série WV-X66300 (WV-X66300-Z4LK<sup>\*1,3</sup>, WV-X66300-Z3LK<sup>\*1,3</sup>, WV-X66300-Z4K<sup>\*1,4</sup>, WV-X66300-Z3K<sup>\*1,4</sup>, WV-X66300-Z4LS<sup>\*2,3</sup>, WV-X66300-Z3LS<sup>\*2,3</sup>, WV-X66300-Z4S<sup>\*2,4</sup>, et WV-X66300-Z3S<sup>\*2,4</sup>)

\*1 Modèle de revêtement de ClearSight

\*2 Modèle de sans revêtement de ClearSight

\*3 Modèle avec IR LED (diode électroluminescente à lumière infrarouge)

\*4 Modèles sans IR LED (diode électroluminescente à lumière infrarouge)

**L'élimination des équipements et des piles/batteries usagés**  
**Applicable uniquement dans les pays membres de l'Union européenne et les pays disposant de systèmes de recyclage**



Apposé sur le produit lui-même, sur son emballage, ou figurant dans la documentation qui l'accompagne, ce pictogramme indique que les piles/batteries, appareils électriques et électroniques usagés, doivent être séparés des ordures ménagères.

Afin de permettre le traitement, la valorisation et le recyclage adéquats des piles/batteries et des appareils usagés, veuillez les porter à l'un des points de collecte prévus, conformément à la législation nationale en vigueur.

En les éliminant conformément à la réglementation en vigueur, vous contribuez à éviter le gaspillage de ressources précieuses ainsi qu'à protéger la santé humaine et l'environnement.

Pour de plus amples renseignements sur la collecte et le recyclage, veuillez vous renseigner auprès des collectivités locales.

Le non-respect de la réglementation relative à l'élimination des déchets est passible d'une peine d'amende.



**Note relative au pictogramme à apposer sur les piles/batteries (pictogramme du bas)**

Si ce pictogramme est combiné avec un symbole chimique, il répond également aux exigences posées par la Directive relative au produit chimique concerné.

Pour U.S.A. \_\_\_\_\_

**Remarque:** Cet équipement a été testé et s'avère respecter les limites imposées pour un périphérique numérique de classe A, conformément à la partie 15 des réglementations de la FCC. Ces limites sont conçues pour fournir une protection raisonnable contre les interférences nuisibles, lorsque l'appareil fonctionne dans un environnement commercial. Cet équipement génère, utilise et peut émettre une énergie de fréquences radio et, s'il n'est pas installé et utilisé conformément aux instructions, peut causer des interférences nuisibles aux communications radio.

L'utilisation de cet équipement dans une zone résidentielle est susceptible de provoquer des interférences nuisibles, auquel cas l'utilisateur devra corriger ces interférences à ses propres frais.

**AVERTISSEMENT DE FCC:** Les changements ou les modifications non expressément approuvées par la partie responsable de la conformité pourraient annuler l'autorité de l'utilisateur à utiliser cet équipement.

**Déclaration de conformité du fournisseur**

Appellation commerciale: i-PRO

N° de modèle: WW-S66700-Z3L / WW-S66700-Z3

WW-S66600-Z3L / WW-S66600-Z3

WW-S66300-Z4L / WW-S66300-Z4

WW-S66300-Z3L / WW-S66300-Z3

WW-X66700-Z3L / WW-X66700-Z3

WW-X66600-Z3L / WW-X66600-Z3

WW-X66300-Z4L / WW-X66300-Z4

WW-X66300-Z3L / WW-X66300-Z3



Partie responsable:

i-PRO Americas Inc.

8550 Fallbrook Drive, Suite 200 Houston,  
Texas 77064

Contact support: 1-800-513-5417

Pour U.S.A. \_\_\_\_\_

Le numéro de modèle et numéro de série de ce produit se trouve sur l'appareil.

Nous vous conseillons de relever le numéro de modèle et numéro de série de votre appareil dans l'espace réservé ci-dessous et de conserver précieusement votre notice d'instructions en tant que justificatif d'achat aux fins d'identification en cas de vol.

No. de modèle \_\_\_\_\_

No. de série \_\_\_\_\_

Pour U.S.A. \_\_\_\_\_

Le présent appareil est conforme à la partie 15 des règles de la FCC.

L'exploitation est autorisée aux deux conditions suivantes: (1) l'appareil ne doit pas produire de brouillage, et (2) l'appareil doit accepter tout brouillage subi, même si le brouillage est susceptible d'en compromettre le fonctionnement.

Pour Canada \_\_\_\_\_

CAN ICES-3(A)/NMB-3(A)

## AVERTISSEMENT:

- L'utilisation de ce produit dans un environnement résidentiel pourrait causer des interférences radio.


### Attention:

- L'alimentation CC connectée à la caméra vidéo doit se trouver dans le même bâtiment.
- La caméra vidéo de réseau est seulement prévue pour un raccordement à un réseau Ethernet ou au réseau PoE sans acheminement à l'installation extérieure.
- Ce produit ne possède aucun interrupteur d'alimentation. Assurez-vous d'installer des dispositifs de déconnexion tel qu'un disjoncteur pour couper la puissance principale des équipements d'alimentation à ce produit.
- Nous vous recommandons de lire attentivement ces instructions avant de raccorder ou d'utiliser cet appareil.

### Remarque:

- Ce produit ne convient pas pour une utilisation dans des endroits où des enfants sont susceptibles d'être présents.
- N'installez pas ce produit dans des endroits facilement accessibles par des personnes ordinaires.
- Ce produit est un équipement professionnel.
- Pour plus d'informations sur les vis et les autres pièces requises pour l'installation, reportez-vous à la section correspondante de ce document.

 : Symbole de courant continu

 : Attention, rayonnement infrarouge

## Mesures de précaution

Afin d'éviter les blessures corporelles et les dégâts à la propriété, elles expliquent ce qui doit être impérativement respecté. Les déclarations de sécurité communes à tous les modèles de caméra réseau i-PRO sont publiées sur le site Web accessible à partir du code-barres à deux dimensions à droite. S'assurer de les consulter.  
[https://i-pro.com/products\\_and\\_solutions/en/surveillance/learning-and-support/knowledge-base/safety-instructions](https://i-pro.com/products_and_solutions/en/surveillance/learning-and-support/knowledge-base/safety-instructions)



### ■ Ne pas installer ce produit dans un environnement à l'accès restreint ou interdit.

Le non-respect de cette consigne peut entraîner des blessures, un accident ou un dysfonctionnement en raison d'une chute.

Vérifier les précautions de sécurité communes à tous les modèles sur le site Web ci-dessus et les précautions d'installation dans le Guide d'installation.

### ■ Confier les travaux d'installation au distributeur.

Les travaux d'installation exigent des connaissances techniques et de l'expérience. Le non-respect de cette consigne peut entraîner un incendie, un choc électrique, des blessures ou des dommages au produit. Faire en sorte de consulter le distributeur.

### ■ Installer solidement et précisément le produit sur une surface d'installation conformément aux instructions d'installation.

Le fait de ne pas respecter cette recommandation risque d'aboutir à des blessures voire provoquer des accidents.

### ■ Prendre les mesures nécessaires pour protéger ce produit des chutes.

Le fait de ne pas respecter cette recommandation risque d'engendrer la chute de l'appareil et de blesser quelqu'un.

Fixer solidement le produit à la surface d'installation à l'aide de vis ou de systèmes de fixation. Si le câble de prévention des chutes est fourni, veiller à l'installer.

### ■ Arrêter immédiatement l'utilisation quand quelque chose est erroné avec ce produit.

Quand de la fumée se dégage du produit, qu'une odeur de fumée se dégage du produit ou que les surfaces extérieures du produit ont été abimées, le fait de continuer à utiliser le produit aura comme conséquence un incendie ou de faire une chute se traduisant par des blessures ou des dégâts à la propriété. Dans ce cas, couper immédiatement l'alimentation et demander à un réparateur professionnel de faire le dépannage nécessaire.

### ■ Effectuer des inspections régulières.

Une formation de rouille sur les parties métalliques ou sur les vis peut engendrer une chute du produit ou provoquer des accidents.

Se mettre en rapport avec le distributeur en ce qui concerne les inspections à faire.

Veiller à mettre le produit hors tension avant toute inspection ou maintenance.

## Précautions d'installation

**i-PRO Co., Ltd. n'assume aucune responsabilité en cas de dommages corporels ou matériels résultant de pannes dues à une installation incorrecte ou à une utilisation contraire à ce qui est indiqué dans cette documentation.**

■ **Pour éviter que quelqu'un se blesse, ce produit doit être fixé solidement sur un platine de fixation d'installation conformément au Guide d'installation.**

■ **Secteur d'installation pour ce produit**

Sélectionner un endroit approprié pour l'emplacement d'installation (tel qu'une surface d'installation robuste) dans votre environnement particulier.

- S'assurer que la zone d'installation est suffisamment robuste pour supporter le poids de ce produit comme dans le cas d'un plafond en béton.
- Installer la caméra vidéo dans la zone des fondations de l'architecture ou dans un endroit où une résistance suffisante est assurée.
- Ne pas installer ce produit sur une plaque de plâtre ou une section en bois parce qu'ils sont trop faibles. Si toutefois le produit est inévitablement installé sur une telle section, cette section doit être suffisamment renforcée.
- La caméra vidéo a un traitement de résistance élevée aux dommages causés par le sel appliqué, mais ceci n'assure pas la résistance complète contre la corrosion. Veuillez prêter l'attention nécessaire à l'emplacement d'installation comme dans les lieux où de l'eau de mer ne provoque pas d'éclaboussures directement. Préparez un traitement renforcé de protection contre le sel pour les fondations du site d'installation et le support de l'installation tel que les poteaux de soutien. <Série WV-X66700> <Série WV-X66600> <Série WV-X66300>

■ **Méthode d'installation pour ce produit.**

Ce produit est conçu pour être utilisé comme une caméra vidéo à installation en position suspendue. Si le produit est installé sur un bureau ou en position inclinée, il risque de ne pas fonctionner correctement et sa durée de vie utile de service risque d'être écourtée.

■ **Ne pas placer ce produit dans les emplacements suivants:**

- Emplacements où un agent chimique est utilisé comme dans le cas d'une piscine
- Emplacements en présence d'humidité ou d'émanations d'huile comme dans le cas d'une cuisine
- Emplacements situés dans un environnement particulier pouvant être exposé à une atmosphère où il existe des produits inflammables ou des solvants
- Emplacements où un rayonnement, des rayons X, des puissantes ondes radio ou un champ magnétique intense est produit
- Emplacements à proximité des côtes directement soumis à des brises de la mer, <Série WV-S66700> <Série WV-S66600> <Série WV-S66300> ou des emplacements soumis à des gaz corrosifs tels que des sources thermales, les régions volcaniques, etc.
- Emplacements où la température ne se trouve pas dans les limites de la gamme spécifiée
- Emplacements sujets aux vibrations, comme dans le cas d'une installation sur des véhicules, des navires maritimes ou au-dessus de chaînes de production (Ce produit n'est pas conçu être utilisé en mode d'installation sur véhicule.)
- Emplacements sujets à de la condensation en cas de fortes variations de température, comme à proximité de l'unité extérieure d'un climatiseur.
- Emplacement à proximité de produits en caoutchouc contenant du soufre (emballages, pieds de caoutchouc, etc.)

■ **Serrage de vis**

Ne pas se servir d'un tournevis à percussion à impact. L'utilisation d'un tournevis à percussion risque d'endommager les vis ou d'engendrer un serrage excessif.

■ **À propos de la réflexion de la lumière de l'extérieur ou de la lumière infrarouge**

Une image parasite peut apparaître à l'écran en fonction de l'angle d'incidence de la lumière externe. Dans le cas de l'utilisation d'une lumière infrarouge, l'installation d'une caméra vidéo près d'un mur peut entraîner la réflexion des rayons infrarouges, ceci ayant pour résultat qu'une partie de l'écran ou de la totalité de l'écran devienne blanchâtre.

- Se référer à notre site Web d'informations techniques <Contrôle No.: C0109> pour des exemples d'image et les mesures à prendre.

■ **Prendre en considération l'humidité**

Installer ce produit lorsque l'humidité est faible. Si l'installation est exécutée alors qu'il pleut ou dans conditions très humides, l'intérieur risque d'être affecté par l'humidité, ceci entraînant une formation de buée à l'intérieur du couvercle en dôme.

### ■ Protection contre la foudre

Quand des câbles sont utilisés à l'extérieur, ils risquent d'être affectés par la foudre. En pareil cas, installer un parafoudre près de la caméra vidéo et faire en sorte que la longueur du câble de réseau entre la caméra vidéo et le parafoudre soit aussi courte que possible afin d'éviter que la caméra ne soit affectée par la foudre. Se référer à notre site Web d'informations techniques <Contrôle No.: C0121>

### ■ Quand des nuisances sonores peuvent se produire

Des parasites peuvent apparaître sur la vidéo ou dans le son par la proximité d'un puissant champ électrique provenant d'un récepteur de télévision ou d'une antenne radio et de transformateurs, ou un puissant champ électrique/champ magnétique provenant d'une ligne d'alimentation (ligne d'éclairage) de 100 V de courant alternatif ou plus élevé. Effectuer les connexions électriques de sorte qu'elles soient éloignées d'1 m {3,28 feet} de ceux-ci ou faites transiter les conduits électriques par des tuyaux métalliques. (S'assurer de raccorder les tuyaux métalliques à la terre.)

### ■ Étiquette d'indication de classification d'équipement et de source d'énergie électrique

Se référer à l'étiquette d'instructions collée en-dessous de cette unité quant aux informations de classification de l'équipement, de source d'alimentation et autres informations.

### ■ À propos de l'électricité statique

Avant d'installer ou de retirer ce produit, veuillez à toucher des objets métalliques afin de décharger l'électricité statique de votre corps.

## Caractéristiques techniques

Source d'alimentation*1:	<p><b>&lt;Tous les modèles&gt;</b>            PoE++ (IEEE802.3bt compliant)  <b>&lt;Série WV-S66300&gt; &lt;Série WV-X66300&gt;</b>            PoE+ (IEEE802.3at compliant)*2</p>
Puissance consommée*1:	<p><b>&lt;Modèle avec IR LED (diode électroluminescente à lumière infrarouge)&gt;</b>            PoE++ 54 V c.c. : 850 mA / environ 45,9 W (dispositif de classe 6)            PoE+ 54 V c.c.*2 : 470 mA / environ 25,4 W (dispositif de classe 4)  <b>&lt;Modèles sans IR LED (diode électroluminescente à lumière infrarouge)&gt;</b>            PoE++ 54 V c.c. : 700 mA / environ 37,8 W (dispositif de classe 6)            PoE+ 54 V c.c.*2 : 320 mA / environ 17,3 W (dispositif de classe 4)</p>
Environnement en service Température ambiante en service:	<p><b>PoE++</b>            -50 °C à +60 °C*3 {-58 °F à +140 °F}            (Plage d'application d'alimentation: -30 °C à +60 °C {-22 °F à +140 °F})  <b>PoE+*</b>            -20 °C à +60 °C*3 {-4 °F à +140 °F}</p>
Humidité ambiante en service:	10 % à 100 % (aucune condensation)
Environnement de stockage Température de stockage:	-30 °C à +60 °C {-22 °F à +140 °F}
Humidité ambiante de stockage:	10 % à 95 % (aucune condensation)
Étanchéité*4:	IP66 (IEC 60529), type 4X (UL50E), conforme à la norme NEMA 4X
Résistance aux chocs:	IK10 (IEC 62262)
Résistance au vent:	Jusqu'à 40 m/s {environ 89 mph}
Dimensions:	<p>Diamètre maximal: ø167 mm × 205 mm (H)            {ø6-9/16 pouces × 8-1/16 pouces (H)}            Rayon de dôme: 77,5 mm            {3-1/16 pouces}            (sans pièces d'installation et de saillante)</p>
Masse:	Environ 3 kg {6,62 lbs} (sans pièces de fixation)
Finition:	<p><b>Corps principal:</b> Moulage d'aluminium, i-PRO blanche/noir            (Le revêtement à résistance élevée aux dommages causés par le sel)  <b>&lt;Série WV-X66700&gt; &lt;Série WV-X66600&gt;</b>  <b>&lt;Série WV-X66300&gt;</b>            Résine PC, noir</p> <p><b>Vis de fixation</b> Acier inoxydable  <b>d'installation externe:</b> (traitement de résistance à la corrosion)  <b>Couvercle en dôme:</b> Résine PC, transparent (avec revêtement de ClearSight*5)</p>
Autres:	<p>Coffret extérieur inviolable*6            conforme à la norme NEMA TS2            Température maximale conformément à NEMA TS 2 (2.2.7): 74 °C {165 °F}</p>

\*1 Se référer à notre site Web d'informations techniques <Contrôle No.: C0106> pour obtenir de plus amples informations au sujet des informations relatives à la source d'alimentation et à la puissance consommée.

\*2 L'alimentation PoE+ est prise en charge à partir de la version logicielle 3.65 ou ultérieure. Lors de l'utilisation de l'alimentation PoE+, la fonction de chauffage est toujours désactivée et la vitesse de panoramique/inclinaison de l'objectif est limitée à un maximum de 90°/s.

\*3 En cas d'utilisation avec le témoin del infra. allumé en permanence, la limite supérieure de la plage de températures de fonctionnement est fixée à +50°C {+122 °F}.

- \*4 Seulement lorsque les travaux d'installation sont correctement exécutés conformément aux instructions spécifiées dans le Guide d'installation et qu'un traitement d'imperméabilité à l'eau approprié est exécuté.
- \*5 Il existe des modèles équipés du revêtement de ClearSight et des modèles qui ne le sont pas.
- \*6 Le composant qui a une structure sur laquelle les vis de fixation qui sont accessibles après l'installation ne peut pas être vissé ou dévissé en utilisant un tournevis ordinaire.

## Accessoires optionnels





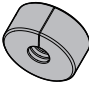
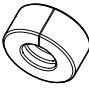

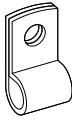

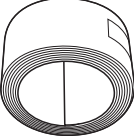

Les dernières informations → Site Web d'informations techniques "Accessory Selector"  
<Contrôle No.: C0501>

## Dépannage

Avant de demander une réparation, consulter la section "Dépannage" du guide Web. Ensuite, confirmer la panne.

## Accessoires standard

Important Safety Instructions ..... 1 él.

 <p>Foret ×1 (Clé à six pans, taille de vis 6,35 mm {1/4 pouces} T20)</p>	 <p>Capuchon de connecteur imperméable à l'eau RJ45 ×1</p>  <p>Caoutchouc imperméable à l'eau A ×1</p>  <p>Caoutchouc imperméable à l'eau B ×1</p>	 <p>Collier de fixation ×2 (parmi eux, 1 comme pièce de rechange)</p>	
 <p>Collier à pince ×1</p>	 <p>Vis de fixation ×2 (parmi eux, 1 comme pièce de rechange)</p>	 <p>Bande imperméable à l'eau ×1</p>	 <p>Étiquette de revêtement anti-pluie ×1 (avec modèle de revêtement de ClearSight seulement)</p>

## Autres articles qui sont nécessaires (non compris)

- Vis d'installation

Méthode d'installation	Vis de fixation recommandée*1	La capacité de traction minimale requise*2
Type 1 WV-QSR506 (Platine de fixation d'installation) + WV-QCL501 (Platine de fixation au plafond)	M10 × 30 mm {1-3/16 pouces} × 4 él.*3	1411 N {317 lbf}
Type 1 WV-QSR506 (Platine de fixation d'installation) + WV-QWL501 (Platine de fixation d'installation murale)	M10 × 30 mm {1-3/16 pouces} × 4 él.*3	823 N {185 lbf}
Type 2 WV-QSR506F/WV-QSR506M (Platine de fixation d'installation) + Platine de fixation procuré localement	Se référer au manuel d'utilisation du platine de fixation procuré localement.	
Type 3 WV-QJB505 (Platine de fixation de base)	M4 × 16 mm {5/8 pouces} × 4 él.*3	196 N {44 lbf}
Type 4 WV-QEM505 (Platine de fixation au plafond)	Se référer au guide d'installation de WV-QEM505.	
Type 5 WV-QWL502 (Platine de fixation d'installation murale)	Se référer au guide d'installation de WV-QWL502.	

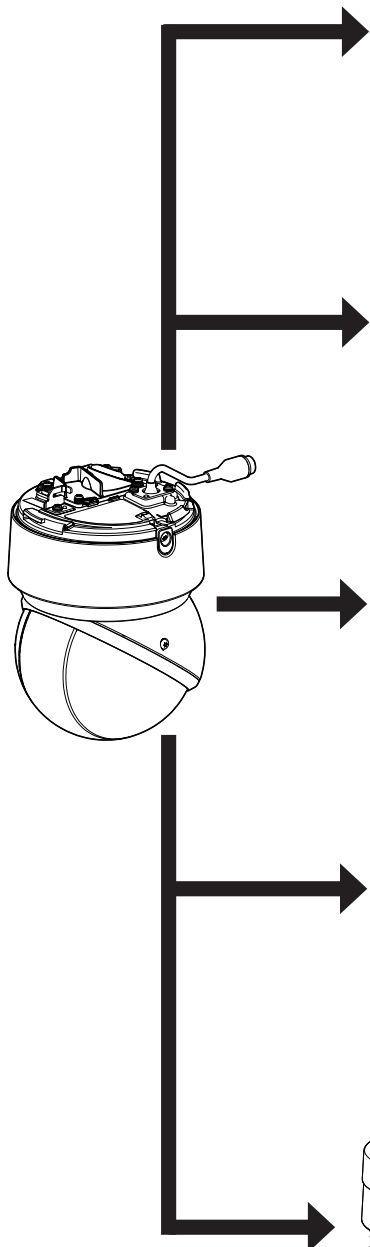
\* Se reporter à la page 46 pour obtenir une image de la façon dont ce produit est combiné avec les platines de fixation d'installation Type 1 à Type 5.

\*1 Choisir les vis en fonction des matériaux constitutifs de l'emplacement sur lequel la caméra vidéo sera installée. Dans le cas présent, ni des vis à bois ni des clous ne doivent être utilisés.

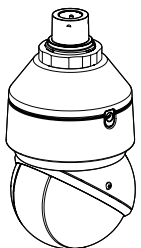
\*2 Cette valeur indique la valeur minimum de capacité de dégagement requise par vis. Pour obtenir de plus amples informations concernant la capacité de dégagement maximum exigée, se référer à notre site Web d'informations techniques <Contrôle No.: C0120>.

\*3 La longueur de la vis est un exemple lors de l'installation de la caméra sur une surface d'installation robuste d'une épaisseur de 20 mm {25/32 pouces} ou plus.

- Câble Ethernet avec fiche RJ45 (catégorie 5e ou supérieure, fils rectilignes, tous les 4 paires (8 broches), moins de 100 m {328 feet})

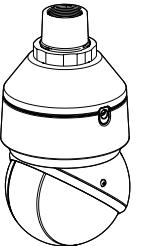


**Type 1**



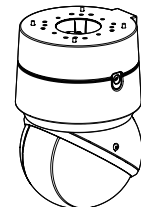
WV-QSR506-W/ WV-QSR506S-W  
 ⇒ page 47 - 53 (Préparatifs)  
 ⇒ page 54

**Type 2**



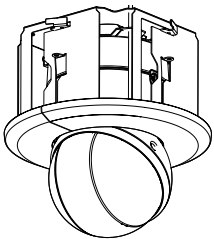
WV-QSR506M-W/ WV-QSR506M1-W  
 WV-QSR506F-W/ WV-QSR506F1-W  
 ⇒ page 47 - 53 (Préparatifs)  
 ⇒ page 60


**Type 3**



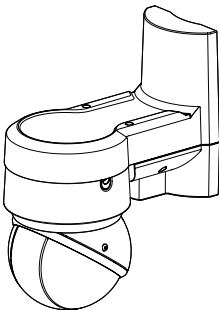
WV-QJB505-W  
 ⇒ page 47 - 53 (Préparatifs)  
 ⇒ page 66


**Type 4**



WV-QEM505-W  
 ⇒ Guide d'installation de WV-QEM505

**Type 5**



WV-QWL502-W  
 ⇒ Guide d'installation de WV-QWL502

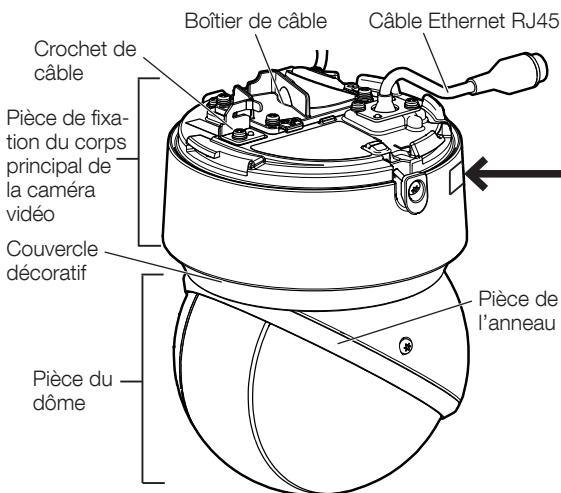
# Procédure d'installation

Voir le Guide Web

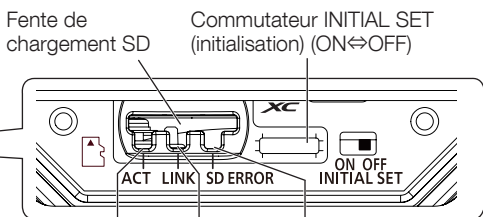
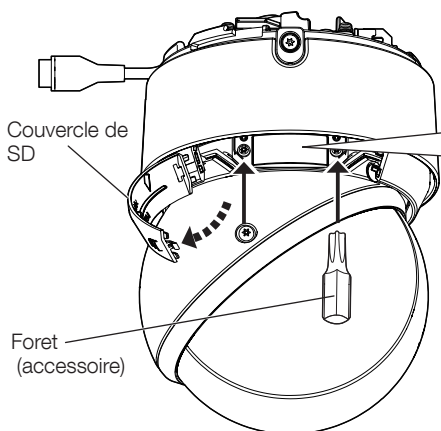
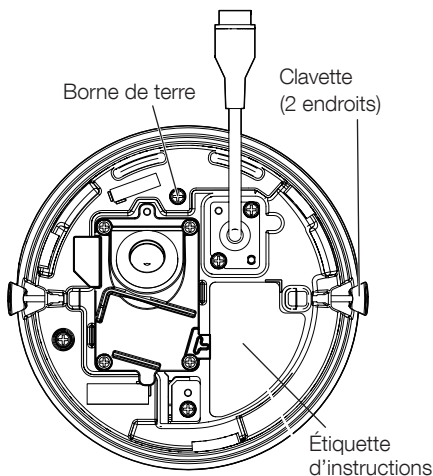
## Pièces et fonctions

### Remarque:

Des traces de ruissellement de liquide peuvent être visibles sur l'anneau autour du couvercle en dôme. Ces traces sont créées lorsque le revêtement de ClearSight est appliqué sur le couvercle en dôme et n'affectent pas les performances.  
(avec modèle de revêtement de ClearSight seulement)



(Modèle avec IR LED (diode électroluminescente à lumière infrarouge) seulement)



Indicateur ACT    Indicateur LINK    Indicateur SD ERROR



(vert)



(orange)



(rouge)

\* Le couvercle SD est omis dans l'illustration ci-dessus.



• Toutes les LED s'éteignent  
⇒ Consulter la section "Indicateurs" du "Manuel d'instructions".

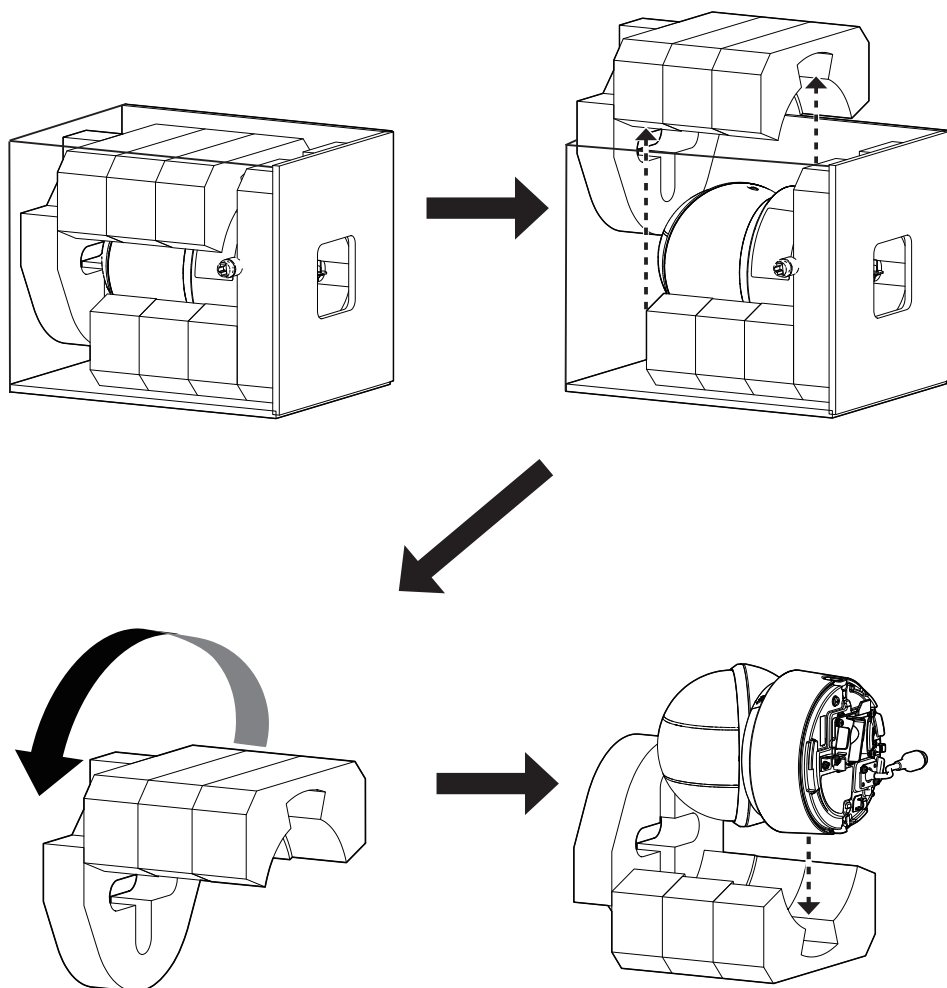
# Étape 1

## Préparatifs

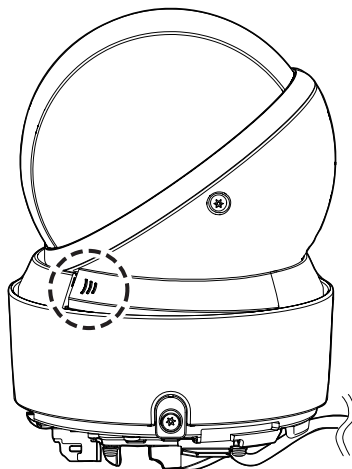
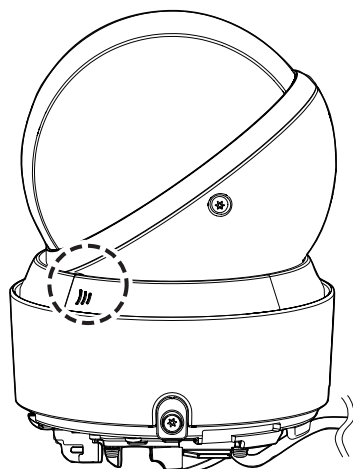
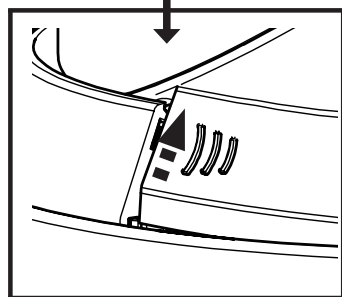
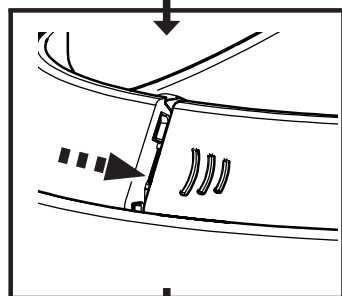
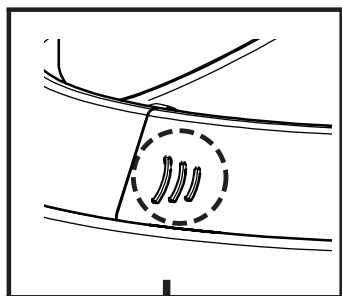
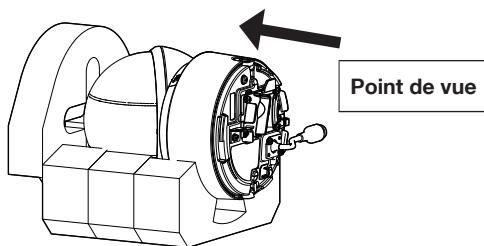
### ■ Commun

**Remarque:**

L'illustration ci-dessous montre l'image de l'intérieur de la boîte d'emballage de ce produit.



## ■ Lors de l'utilisation d'une carte de mémoire microSD

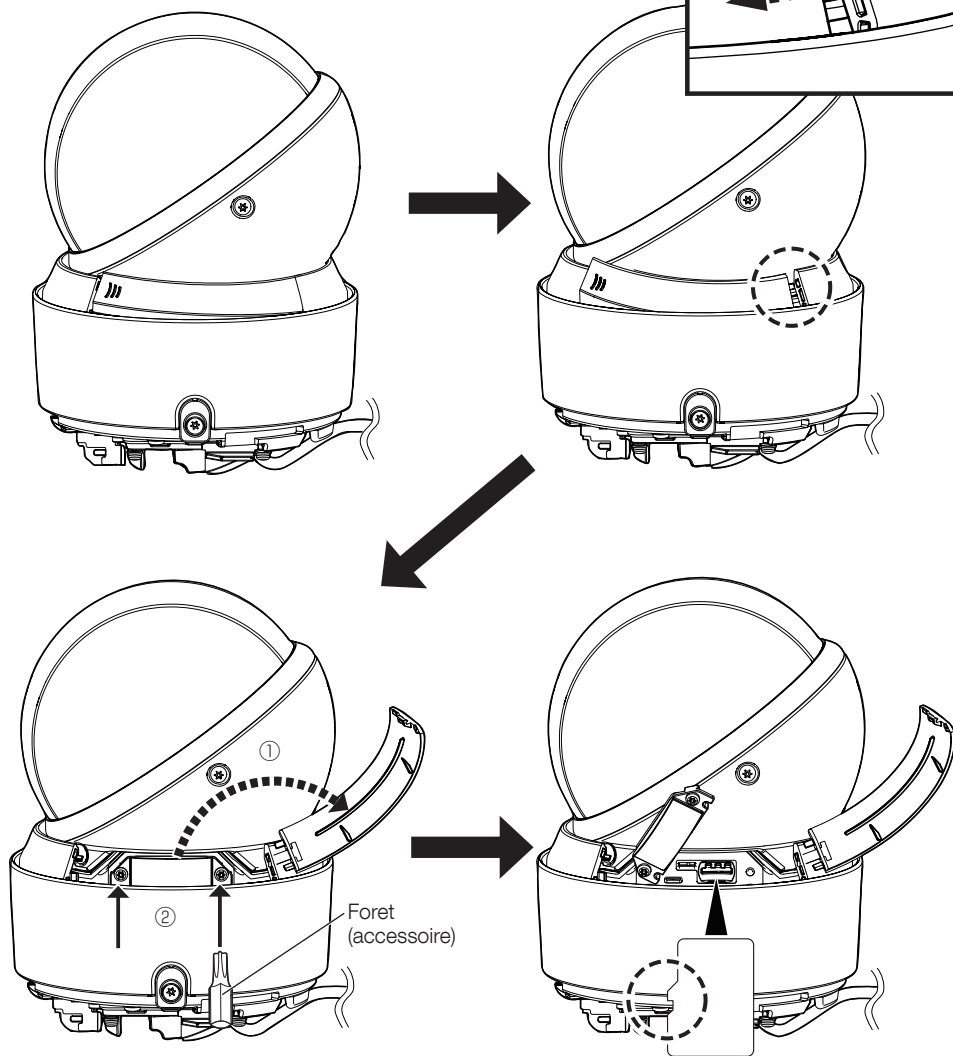
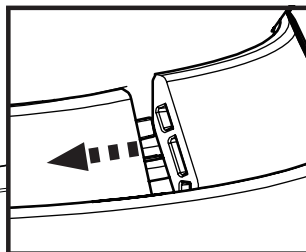


### Remarque:

Soulever le couvercle décoratif en crochétant du bout des doigts dans l'espace ouvert en faisant coulisser le couvercle décoratif.

## ■ Lors de l'utilisation d'une carte de mémoire microSD (suite)

- Faire glisser le couvercle décoratif vers la gauche et retirer le crochet sur l'extrémité droite.
- Introduire une carte de mémoire SD dans la fente de chargement de carte de mémoire SD.

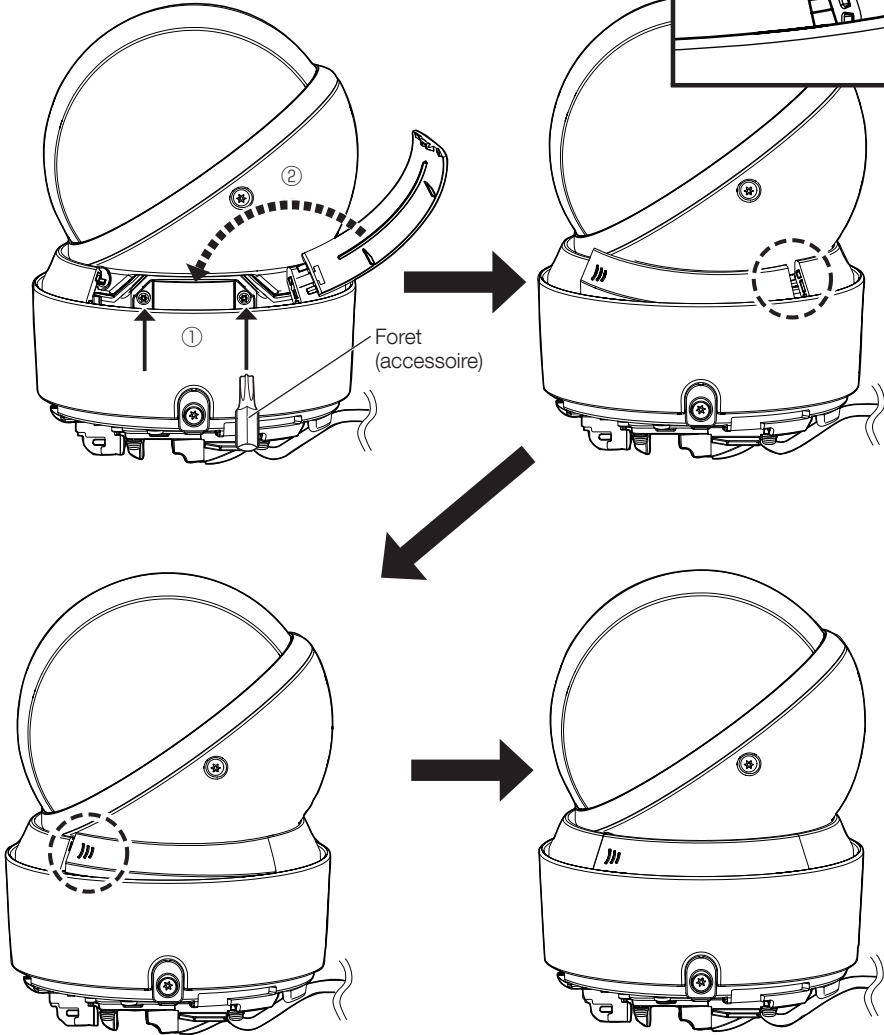
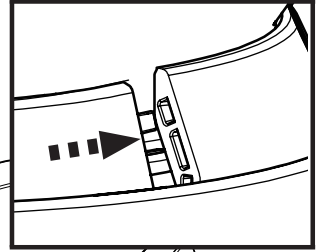


- Manuel d'instructions [Formater]
- Utiliser une carte de mémoire microSD destinée aux caméra i-PRO.

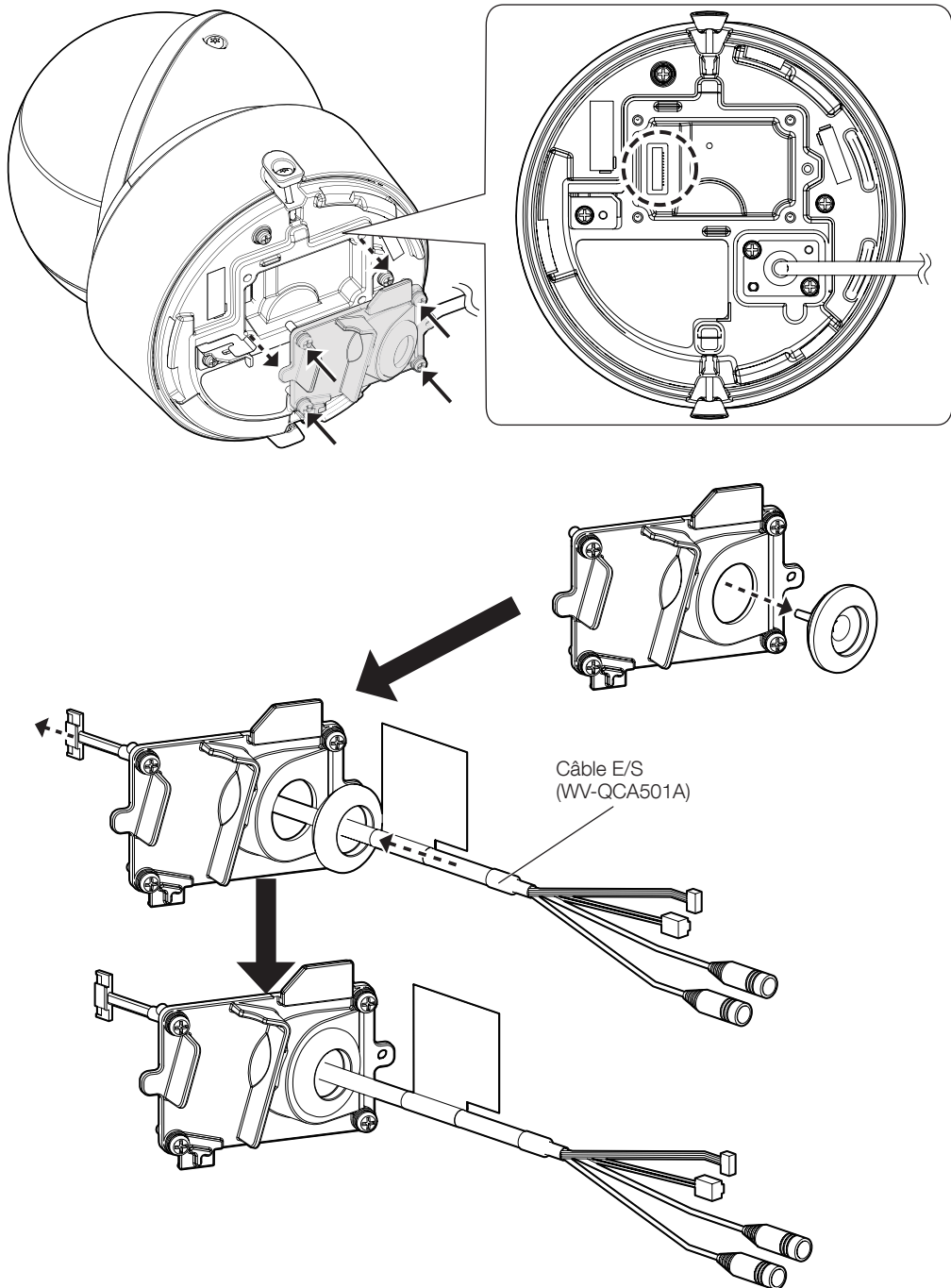
## ■ Lors de l'utilisation d'une carte de mémoire microSD (suite)



Couple de serrage recommandé:  
0,78 N·m {0,58 lbf·ft}

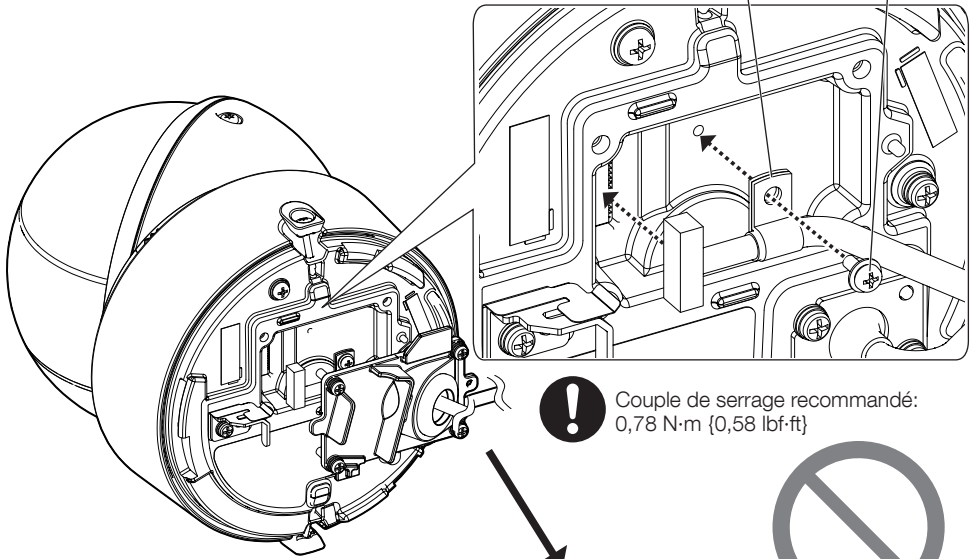


## ■ Lors de l'utilisation d'un câble E/S (WV-QCA501A)

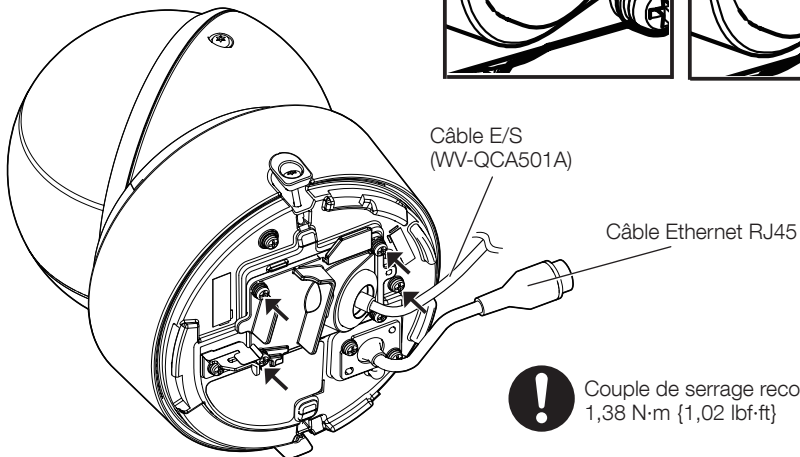
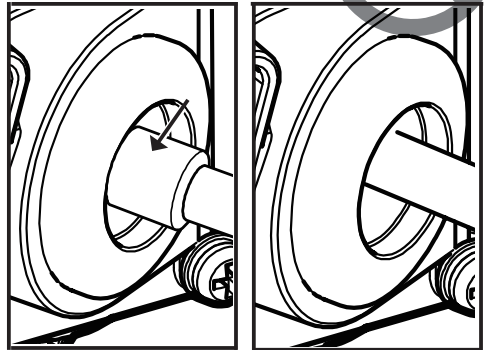


## ■ Lors de l'utilisation d'un câble E/S (WV-QCA501A) (suite)

Collier à pince (accessoire)    Vis de fixation (M3: accessoire)



! Couple de serrage recommandé:  
0,78 N·m {0,58 lbf·ft}



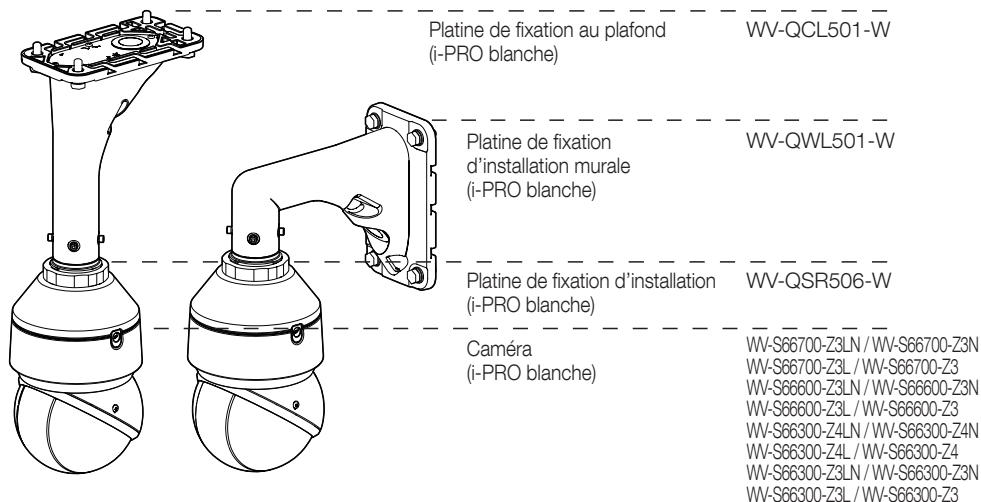
! Couple de serrage recommandé:  
1,38 N·m {1,02 lbf·ft}

# Installation Type 1

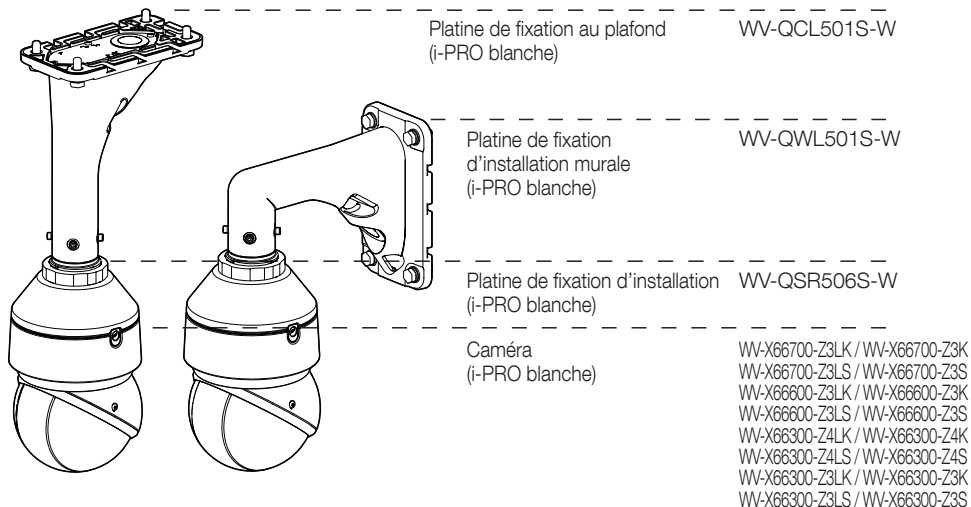
## Étape 2

### Vérification de la combinaison des platines de fixation

#### ■ Installation avec caractéristiques techniques normales



#### ■ Installation avec caractéristiques techniques de résistance élevée aux dommages causés le sel (Résistance élevée aux dommages causés par le sel)



\* Ce qui suit décrit un exemple d'installation combinée des WV-QSR506 et WV-QWL501. Dans les autres cas, se reporter à ce manuel ainsi qu'au manuel d'utilisation des autres platines de fixation.

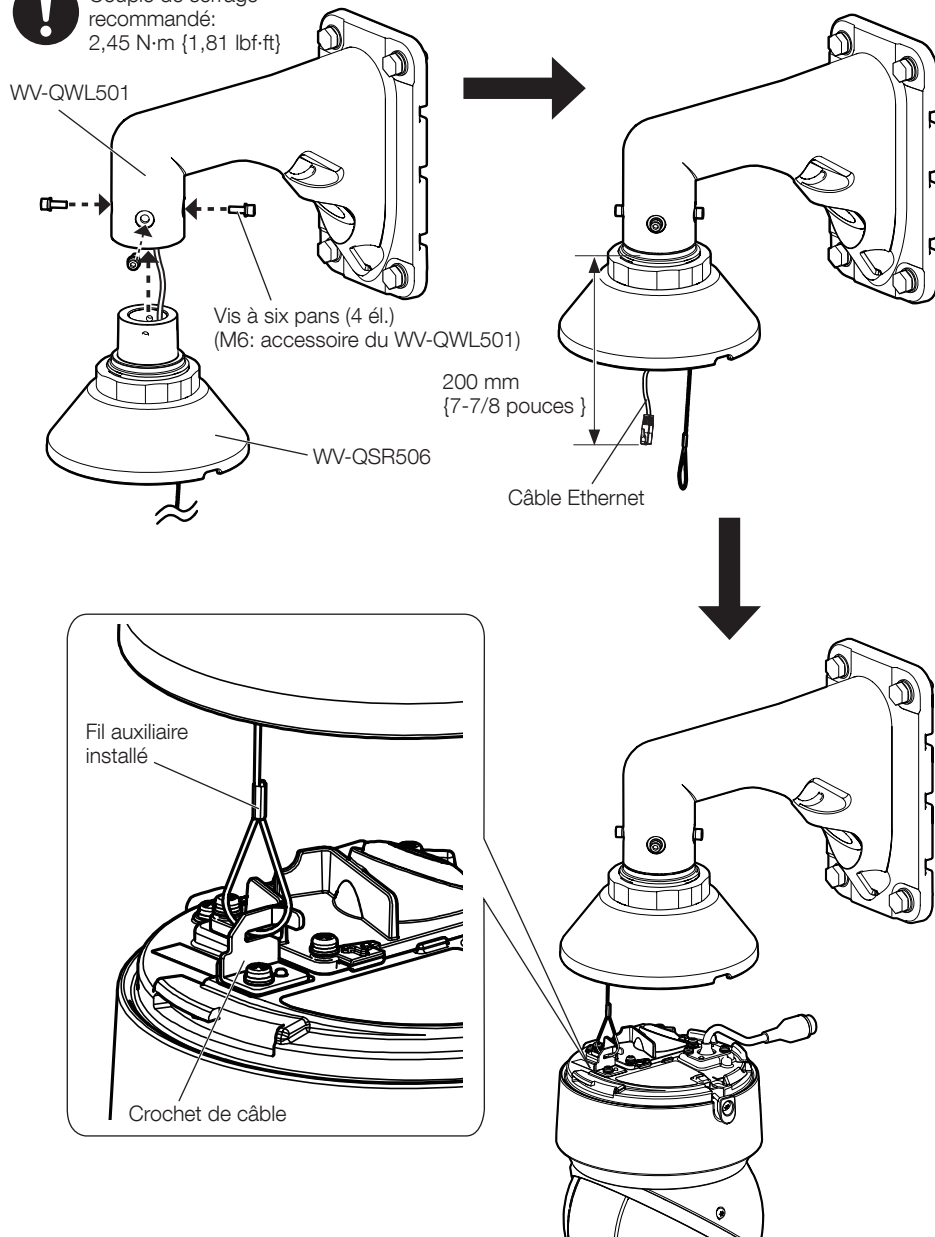
## Étape 3

Se reporter au manuel d'utilisation de la platine de fixation pour plus d'informations sur comment fixer le WV-QWL501 à la surface d'installation.

Certains câbles de raccordement peuvent être omis dans les illustrations.

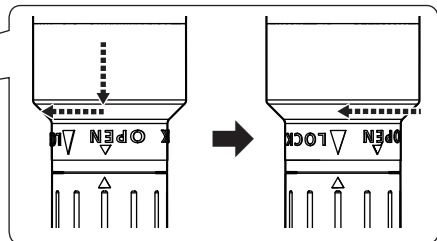
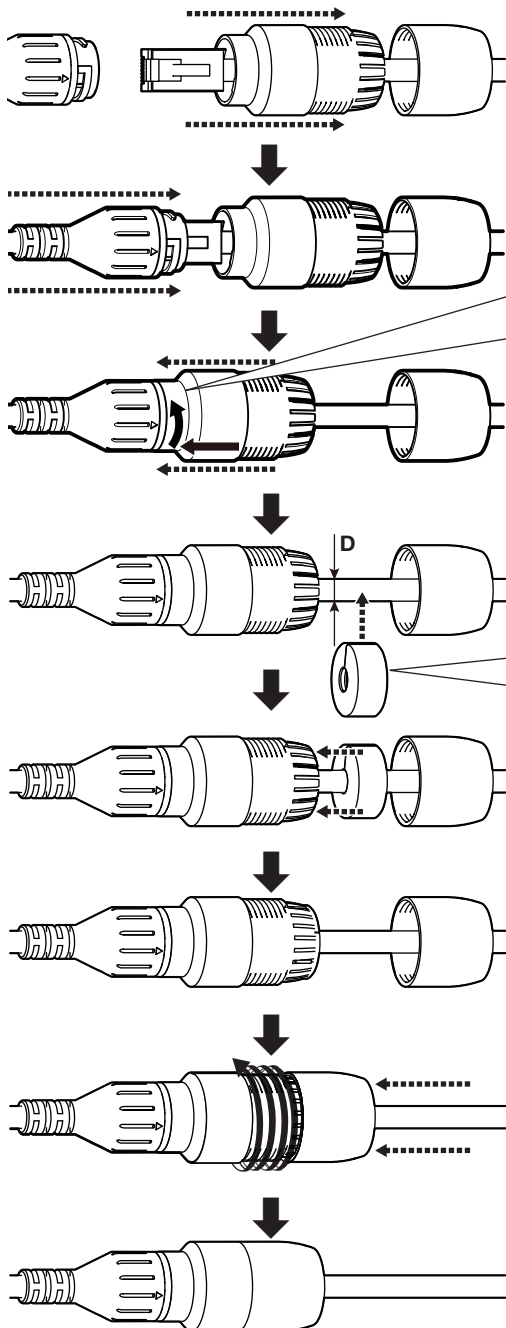


Couple de serrage  
recommandé:  
2,45 N·m {1,81 lbf·ft}



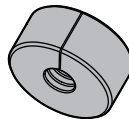
## Étape 4

### ■ Connecteur imperméable à l'eau RJ45

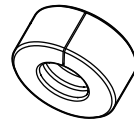


D:  $\varnothing 5 \text{ mm} - \varnothing 7 \text{ mm}$   
{ $\varnothing 3/16 \text{ pouces} - \varnothing 9/32 \text{ pouces}$ }

D:  $\varnothing 7 \text{ mm} - \varnothing 8,5 \text{ mm}$   
{ $\varnothing 9/32 \text{ pouces} - \varnothing 11/32 \text{ pouces}$ }



Caoutchouc  
imperméable à  
l'eau A

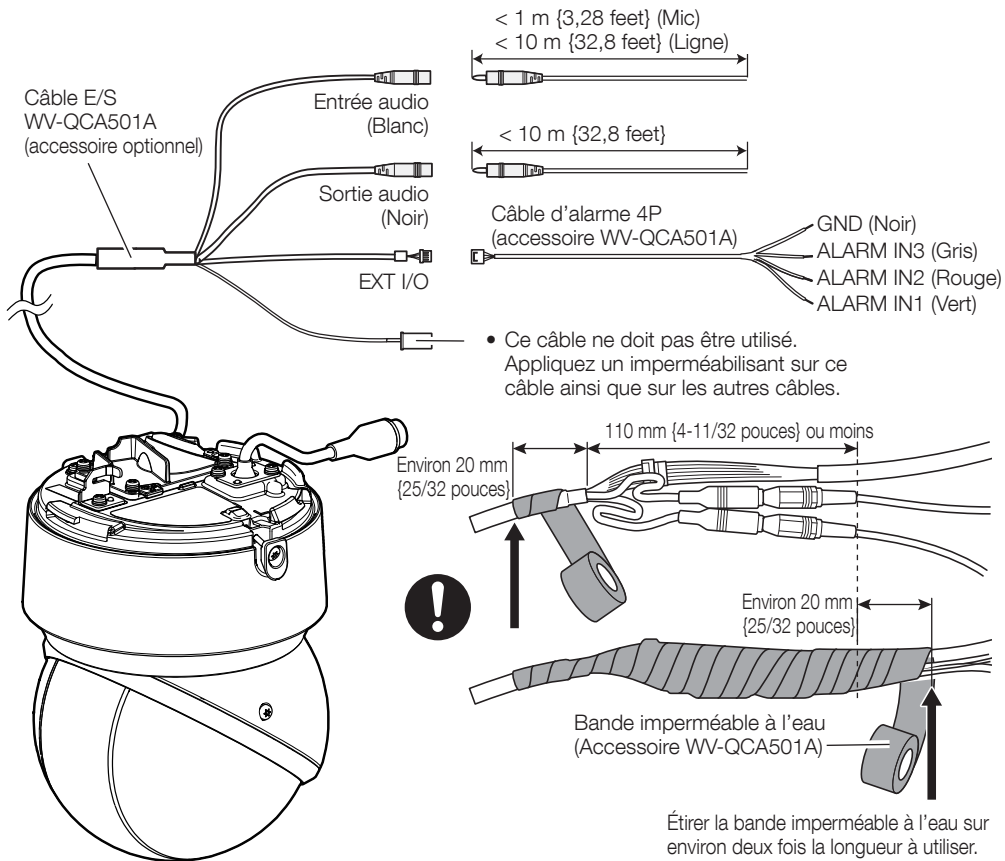


Caoutchouc  
imperméable à  
l'eau B

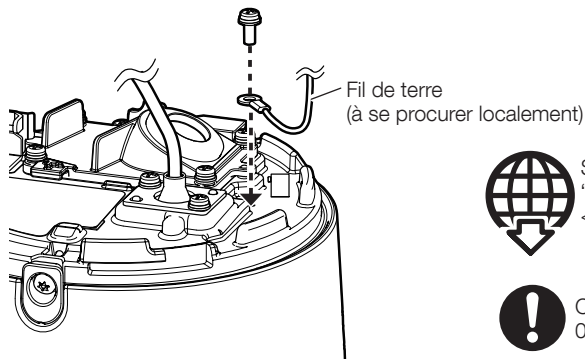
\* Si nécessaire, renforcer l'étanchéité avec une bande imperméable à l'eau (accessoire). Veuillez noter que l'utilisation de bande imperméable à l'eau peut rendre le câblage difficile.

# Étape 5

## ■ Lors de l'utilisation d'un câble E/S



## ■ Fil de terre



Site Web d'informations techniques  
"Countermeasure for Lightning Surge"  
<Contrôle No.: C0121>

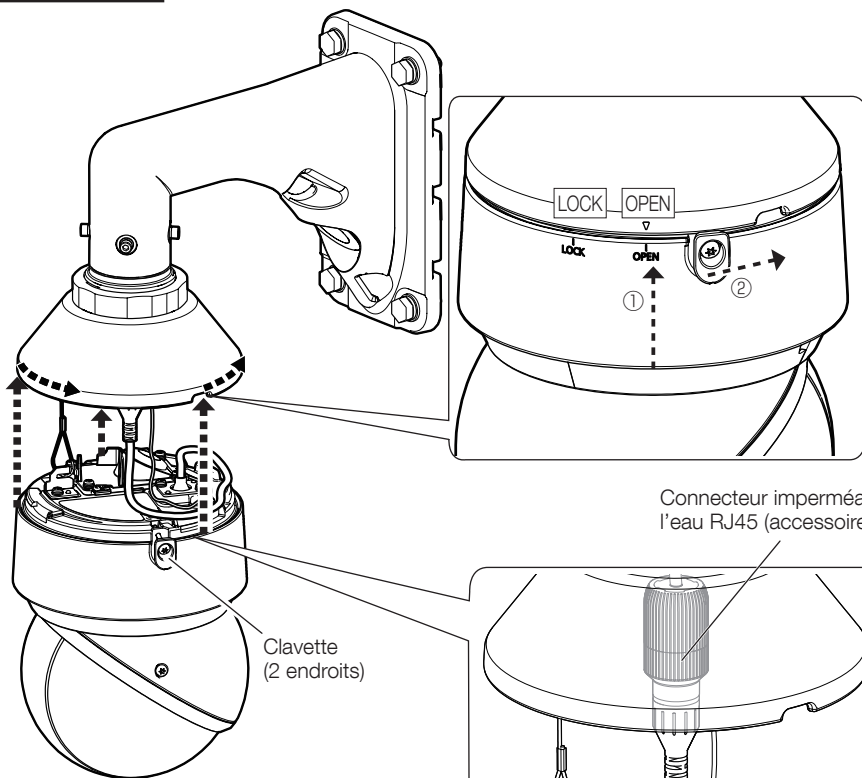


Couple de serrage recommandé:  
0,78 N·m {0,58 lbf·ft}

## Étape 6

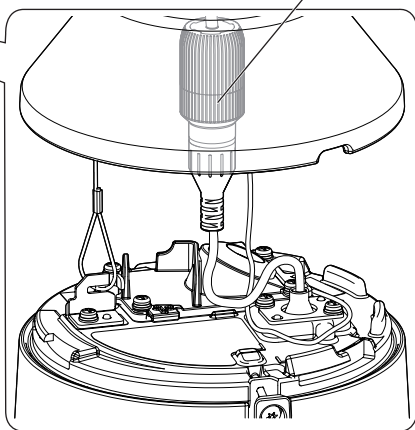
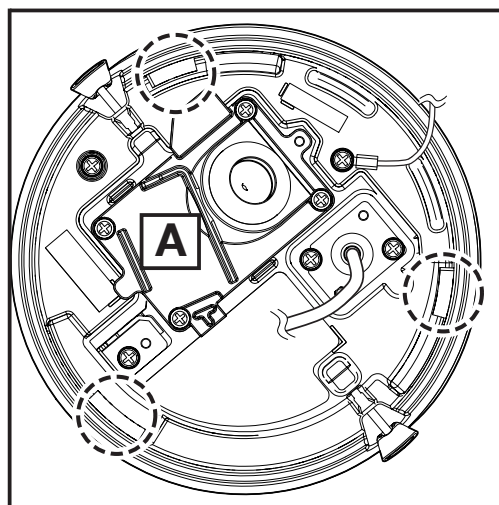


- Avant de fixer temporairement la caméra à la platine de fixation, retirer le ruban adhésif fixant les sections des clavettes gauche et droite et s'assurer que les filetages ne sont pas coincés.



Connecteur imperméable à l'eau RJ45 (accessoire)

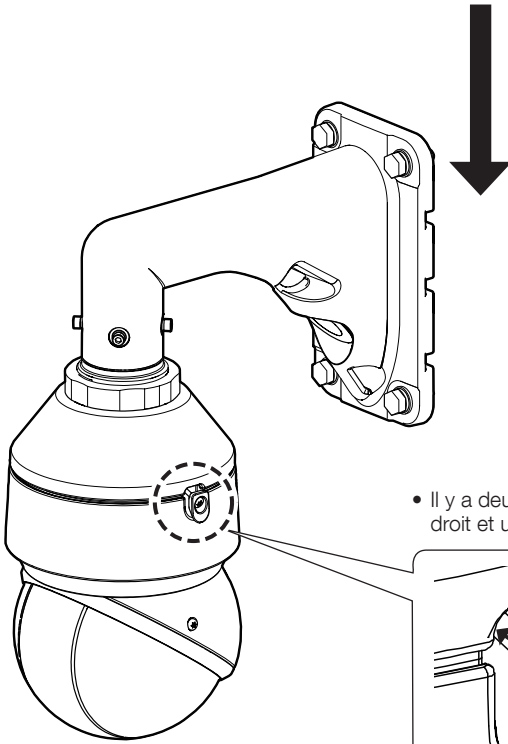
Clavette  
(2 endroits)



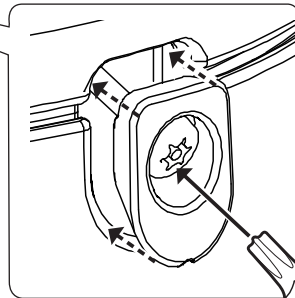
- Lorsque vous utilisez un câble E/S, placer les câbles attachés avec de la bande imperméable à l'eau (accessoire) sur la partie **A** dans l'illustration de gauche.



Voir le Guide Web

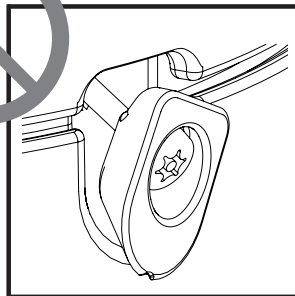
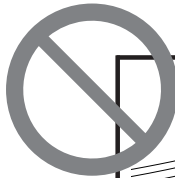


- Il y a deux vis de fixation, une sur le côté droit et une sur le côté gauche.



Couple de serrage  
recommandé:  
0,78 N·m {0,58 lbf·ft}

Foret  
(accessoire)



**Type 1 Finition**

# Installation Type 2

## Étape 2

### Vérification de la combinaison des platines de fixation

ISO

ANSI

Platine de fixation procuré localement

Platine de fixation d'installation (i-PRO blanche)

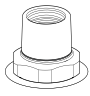
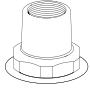
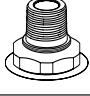
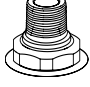
WV-QSR506F-W  
WV-QSR506M-W

WV-QSR506F1-W  
WV-QSR506M1-W

Caméra (i-PRO blanche)

WV-S66700-Z3LN / WV-S66700-Z3N  
WV-S66700-Z3L / WV-S66700-Z3  
WV-S66600-Z3LN / WV-S66600-Z3N  
WV-S66600-Z3L / WV-S66600-Z3

WV-S66300-Z4LN / WV-S66300-Z4N  
WV-S66300-Z4L / WV-S66300-Z4  
WV-S66300-Z3LN / WV-S66300-Z3N  
WV-S66300-Z3L / WV-S66300-Z3

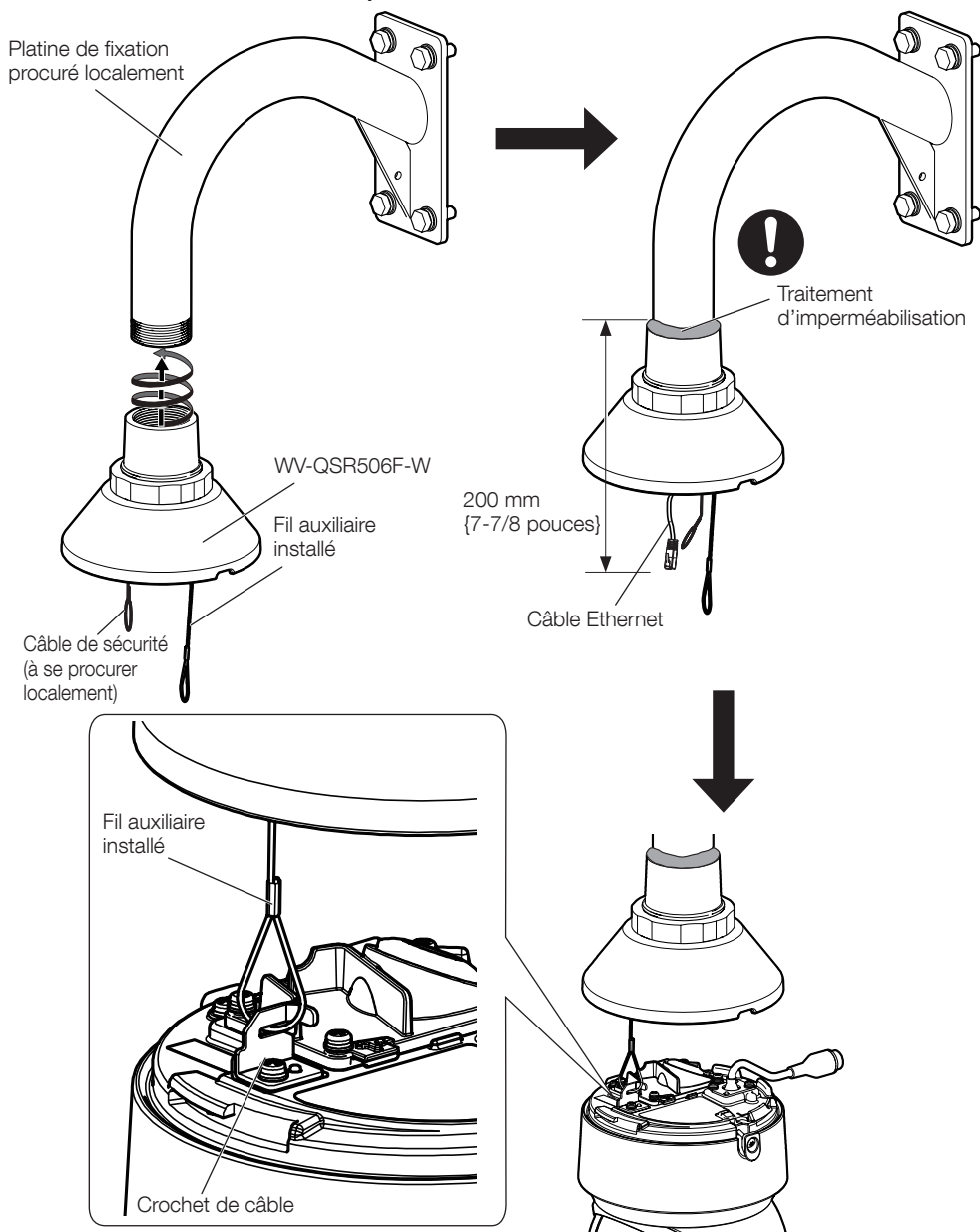
	Caractéristiques techniques des pièces de connexion de ce produit		Platine de fixation d'installation correspondant à ce produit
WV-QSR506F-W	<b>Filetage de tuyauterie parallèle femelle (ISO)</b> 40A, Rp 1-1/2, 11 pas, profondeur de 25,4 mm {1 pouce}		<b>À se procurer localement</b> 40A, R 1-1/2, 11 pas, longueur de 25,4 mm {1 pouce} ou plus (filetage de tuyauterie cônica mâle)
WV-QSR506F1-W	<b>Filetage de tuyauterie parallèle femelle (ANSI)</b> 40A, NPSC 1-1/2, 11,5 pas, profondeur de 25,4 mm {1 pouce}		<b>À se procurer localement</b> 40A, NPT 1-1/2, 11,5 pas, longueur de 25,4 mm {1 pouce} ou plus (filetage de tuyauterie cônica mâle)
WV-QSR506M-W	<b>Filetage de tuyauterie cônica mâle (ISO)</b> 40 A, R 1-1/2, 11 pas, longueur de 25,4 mm {1 pouce}		<b>À se procurer localement</b> 40A, Rp 1-1/2, 11 pas, profondeur de 25,4 mm {1 pouce} ou plus (filetage de tuyauterie parallèle femelle)
WV-QSR506M1-W	<b>Filetage de tuyauterie cônica mâle (ANSI)</b> 40A, NPT 1-1/2, 11,5 pas, longueur de 25,4 mm {1 pouce}		<b>À se procurer localement</b> 40A, NPSC 1-1/2, 11,5 pas, profondeur de 25,4 mm {1 pouce} ou plus (filetage de tuyauterie parallèle femelle)

## Étape 3

Ce qui suit décrit les grandes lignes de l'installation du WV-QSR506F-W en combinaison avec la platine de fixation procuré localement.

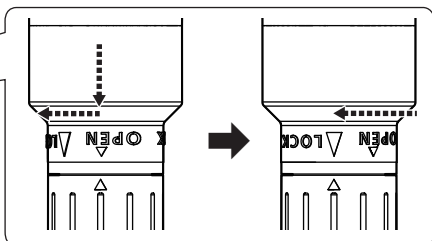
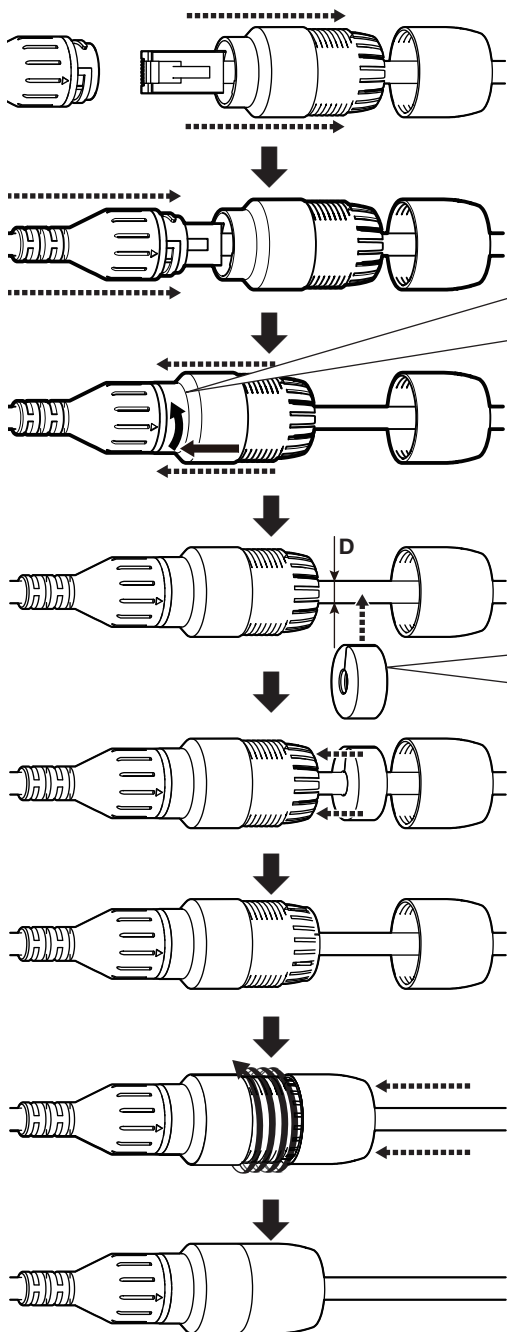
Se reporter au guide d'installation du WV-QSR506 pour les procédures d'installation détaillées telles que la manière de fixer le câble de sécurité.

Certains câbles de raccordement peuvent être omis dans les illustrations.



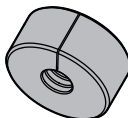
# Étape 4

## ■ connecteur imperméable à l'eau RJ45

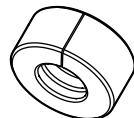


D:  $\varnothing 5 \text{ mm} - \varnothing 7 \text{ mm}$   
{ $\varnothing 3/16 \text{ pouces} - \varnothing 9/32 \text{ pouces}$ }

D:  $\varnothing 7 \text{ mm} - \varnothing 8,5 \text{ mm}$   
{ $\varnothing 9/32 \text{ pouces} - \varnothing 11/32 \text{ pouces}$ }



Caoutchouc imperméable à l'eau A

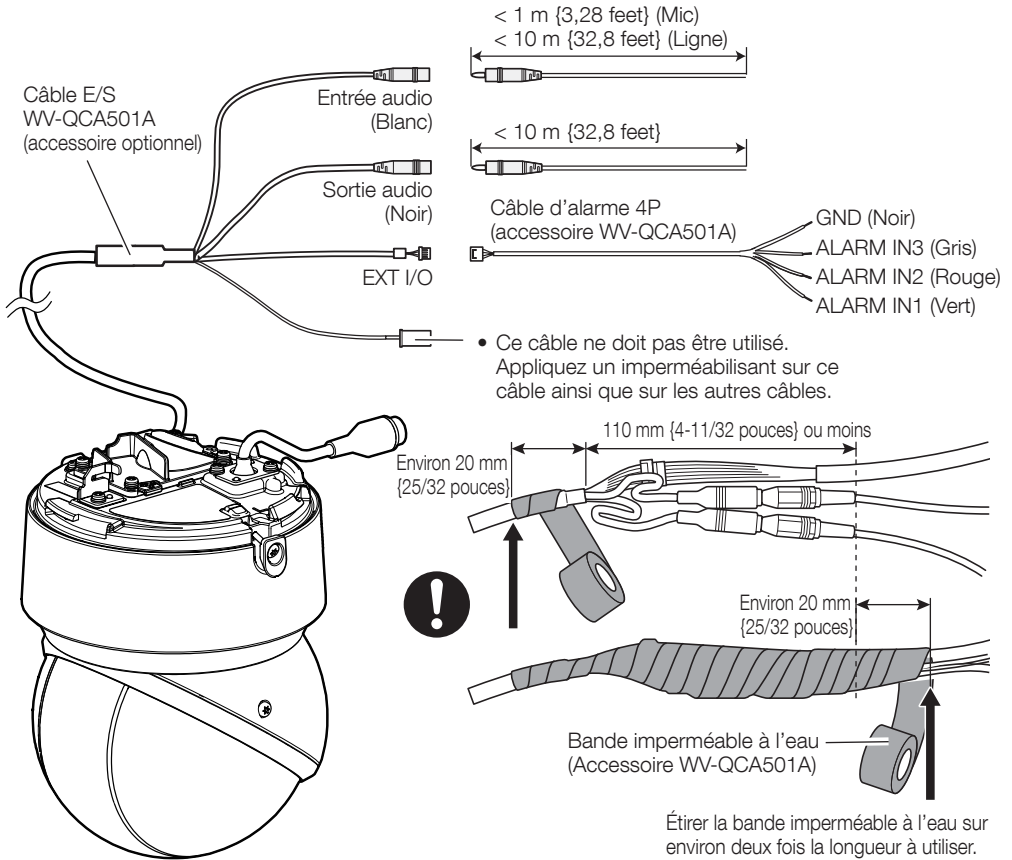


Caoutchouc imperméable à l'eau B

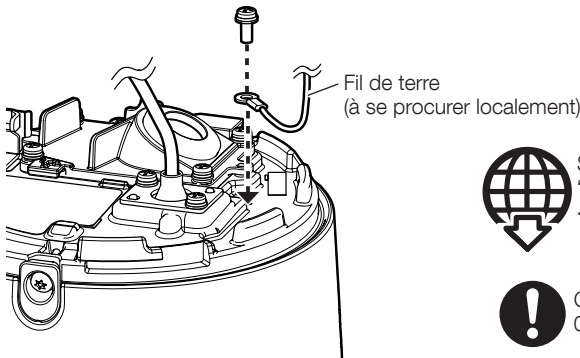
\* Si nécessaire, renforcer l'étanchéité avec une bande imperméable à l'eau (accessoire). Veuillez noter que l'utilisation de bande imperméable à l'eau peut rendre le câblage difficile.


# Étape 5


## ■ Lors de l'utilisation d'un câble E/S



## ■ Fil de terre



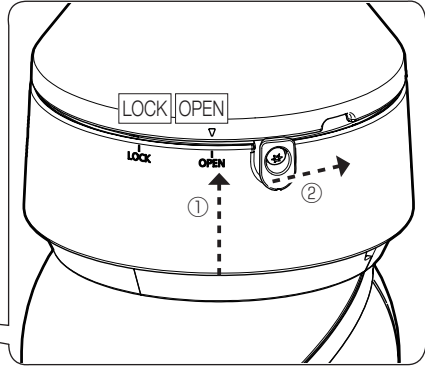
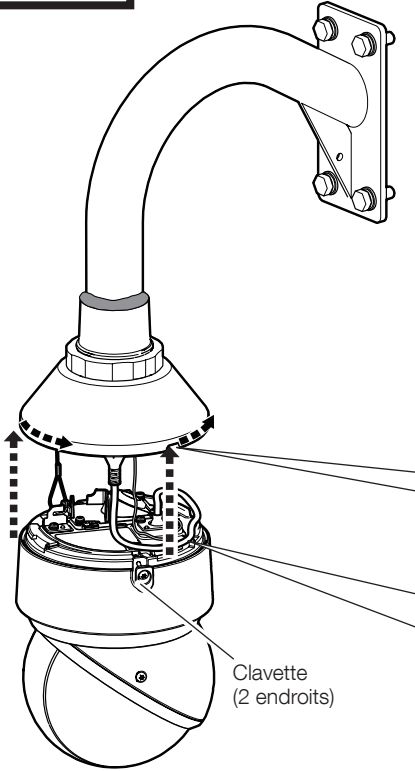
 Site Web d'informations techniques "Countermeasure for Lightning Surge" <Contrôle No.: C0121>

 Couple de serrage recommandé: 0,78 N·m {0,58 lbf·ft}

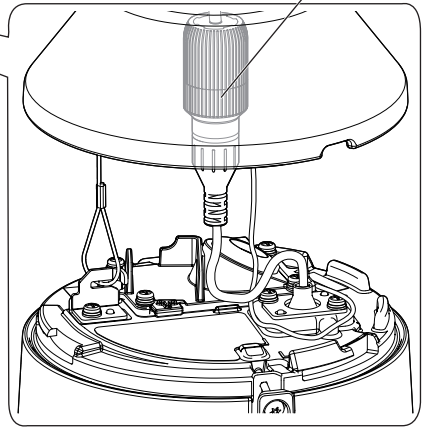
## Étape 6



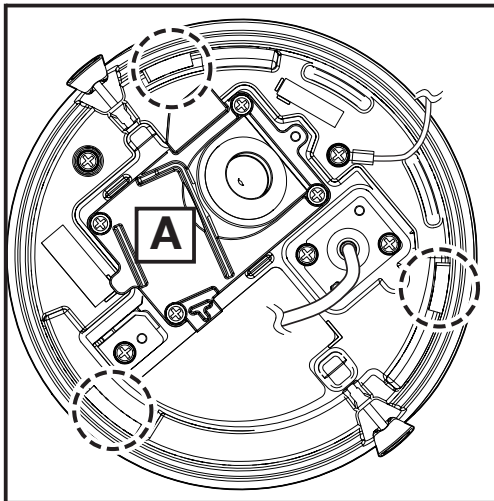
- Avant de fixer temporairement la caméra à la platine de fixation, retirer le ruban adhésif fixant les sections des clavettes gauche et droite et s'assurer que les filetages ne sont pas coincés.



Connecteur imperméable à l'eau RJ45 (accessoire)



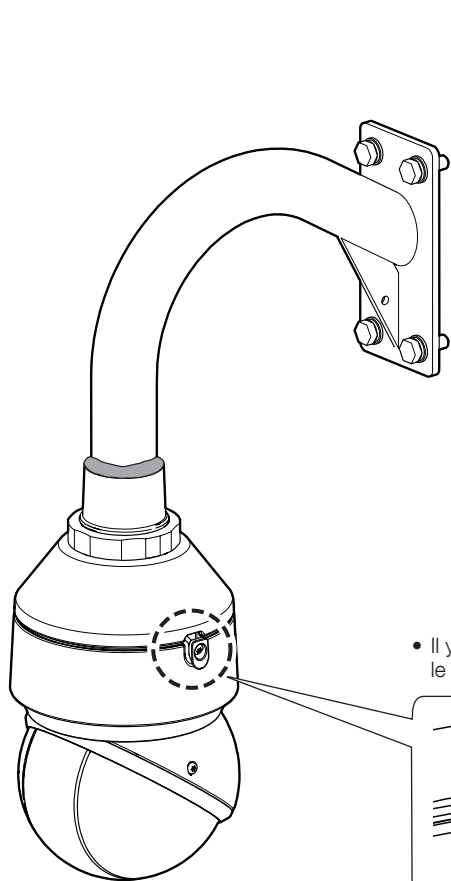
Clavette  
(2 endroits)



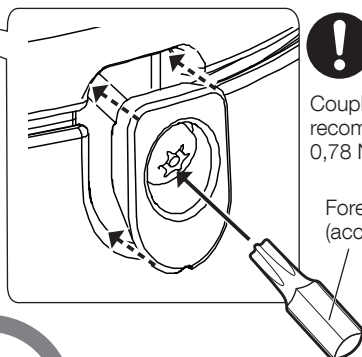
- Lorsque vous utilisez un câble E/S, placer les câbles attachés avec de la bande imperméable à l'eau (accessoire) sur la partie **A** dans l'illustration de gauche.



Voir le Guide Web

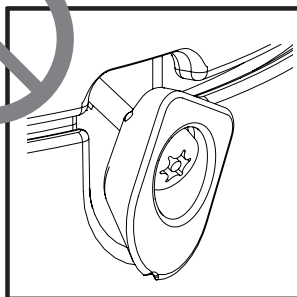
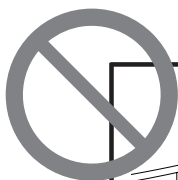


- Il y a deux vis de fixation, une sur le côté droit et une sur le côté gauche.



Couple de serrage  
recommandé:  
0,78 N·m {0,58 lbf·ft}

Foret  
(accessoire)

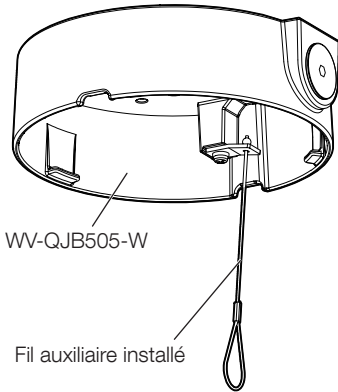


**Type 2 Finition**

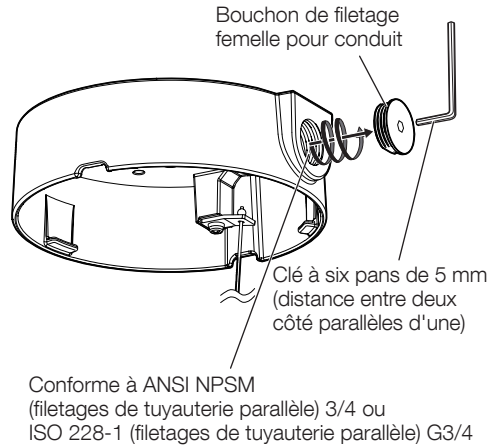
# Installation Type 3

## Étape 2

<Lors du câblage depuis le plafond>

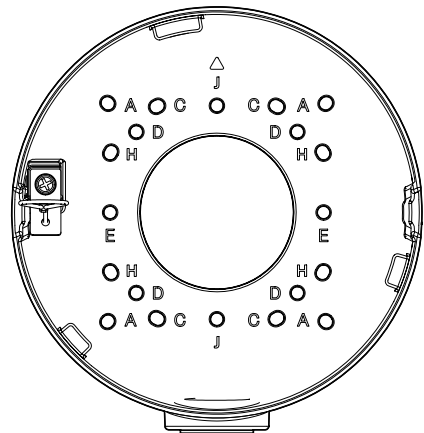


<Lors de l'utilisation du conduit>



## Étape 3

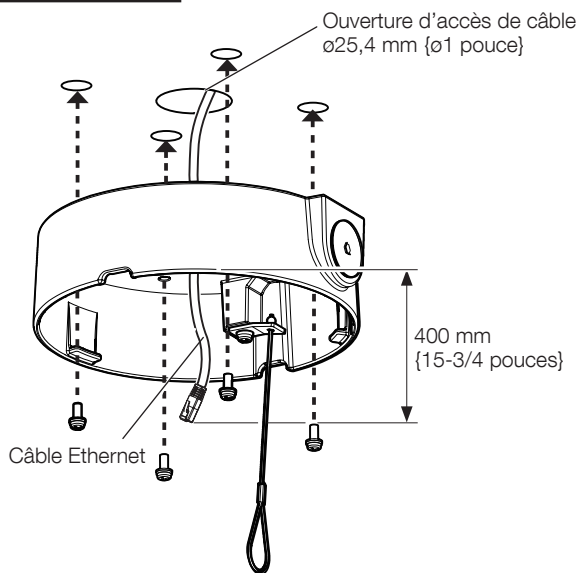
Cette plaque peut être fixée dans les six positions de vissage suivantes selon l'état de la surface d'installation. Utiliser les mêmes orifices de montage de A à J.



\* Lors de l'installation sur un seul boîtier d'interrupteur, fixer à l'aide de deux vis de fixation (M4: à se procurer localement).

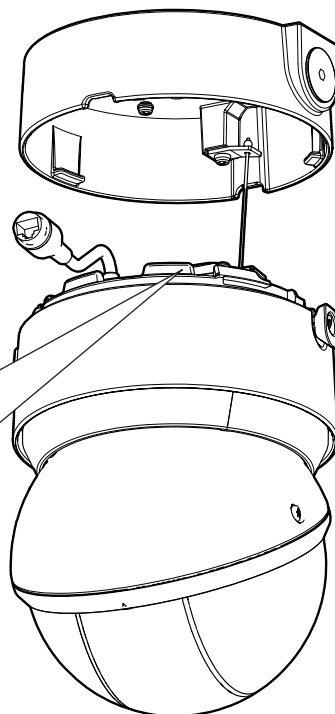
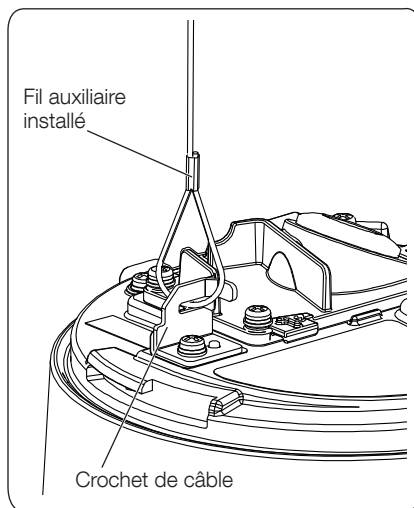
	Longueur	Largeur
A	85 mm {3-11/32 pouces} (85,7 mm {3-3/8 pouces})	85 mm {3-11/32 pouces} (85,7 mm {3-3/8 pouces})
C	83,5 mm {3-9/32 pouces} (83,3 mm {3-9/32 pouces})	46 mm {1-13/16 pouces} (47,6 mm {1-7/8 pouces})
D	63 mm {2-15/32 pouces}	63 mm {2-15/32 pouces}
E*	-	83,5 mm {3-9/32 pouces}
H	46 mm {1-13/16 pouces} (47,6 mm {1-7/8 pouces})	83,5 mm {3-9/32 pouces} (83,3 mm {3-9/32 pouces})
J*	83,5 mm {3-9/32 pouces}	-

## Étape 3 (suite)



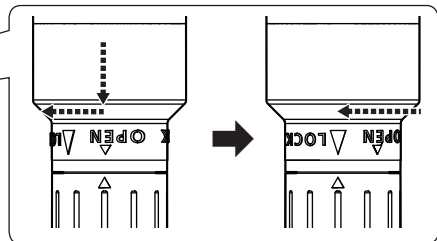
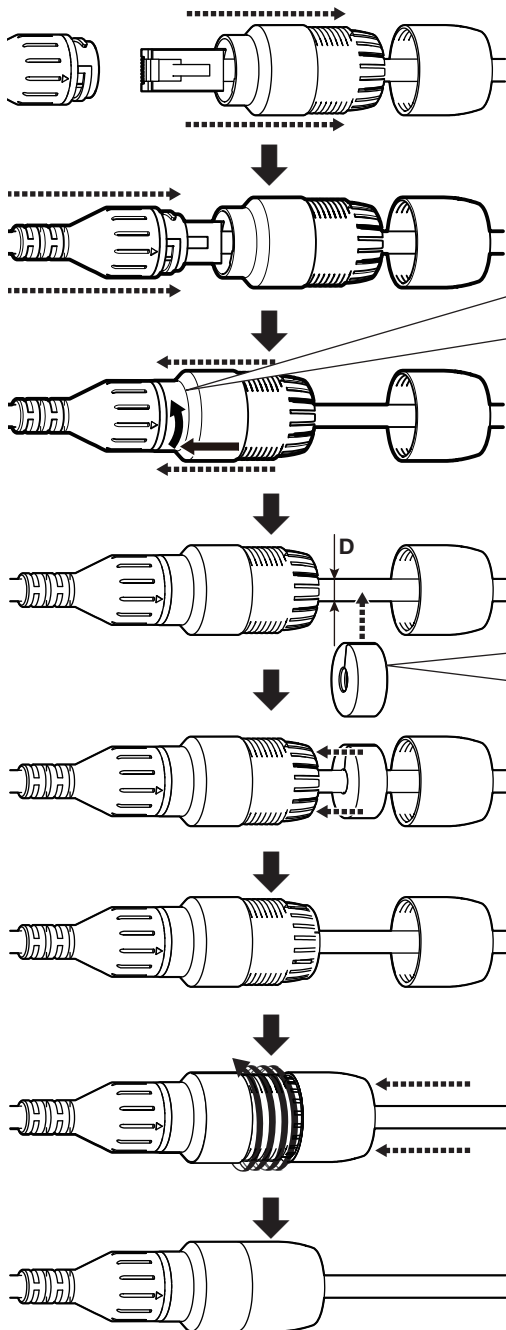
Vis de fixation (4 él.)  
(M4: à se procurer localement)  
Capacité de dégagement  
minimum exigée:  
196 N {44 lb}/par 1 él.

## Étape 4



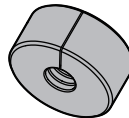
# Étape 5

## ■ connecteur imperméable à l'eau RJ45

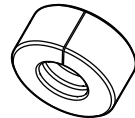


D:  $\varnothing 5 \text{ mm} - \varnothing 7 \text{ mm}$   
 { $\varnothing 3/16 \text{ pouces} - \varnothing 9/32 \text{ pouces}$ }

D:  $\varnothing 7 \text{ mm} - \varnothing 8,5 \text{ mm}$   
 { $\varnothing 9/32 \text{ pouces} - \varnothing 11/32 \text{ pouces}$ }



Caoutchouc  
 imperméable à  
 l'eau A

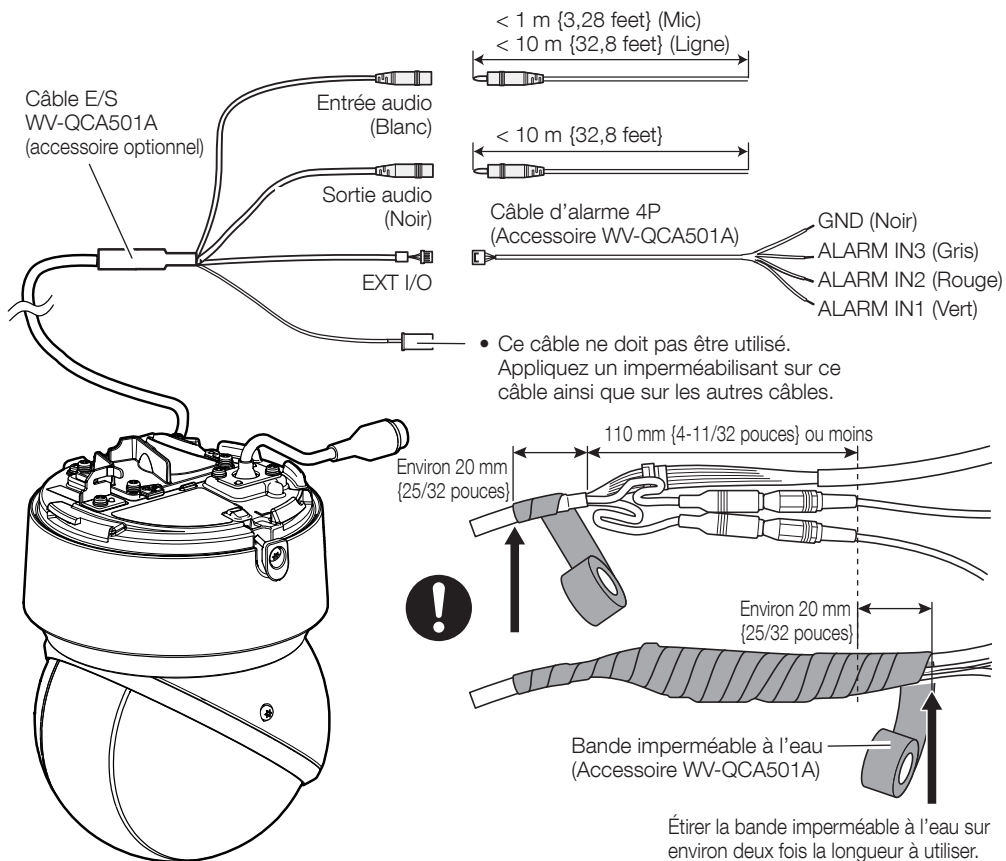


Caoutchouc  
 imperméable à  
 l'eau B

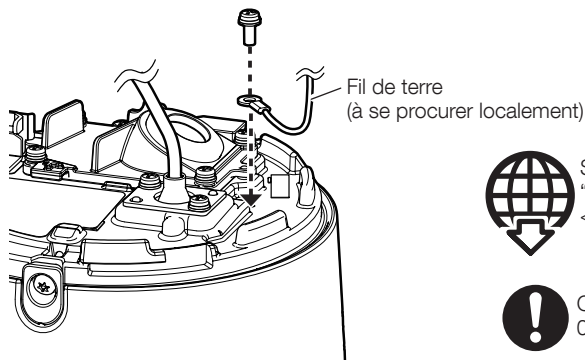
\* Si nécessaire, renforcer l'étanchéité avec une bande imperméable à l'eau (accessoire). Veuillez noter que l'utilisation de bande imperméable à l'eau peut rendre le câblage difficile.


# Étape 6


## ■ Lors de l'utilisation d'un câble E/S



## ■ Fil de terre



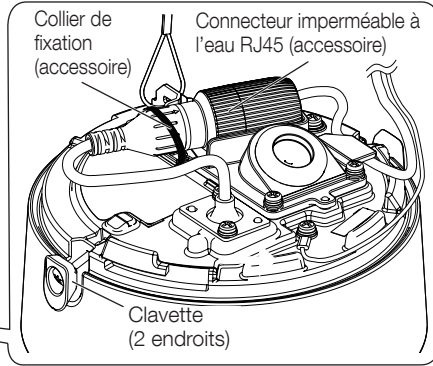
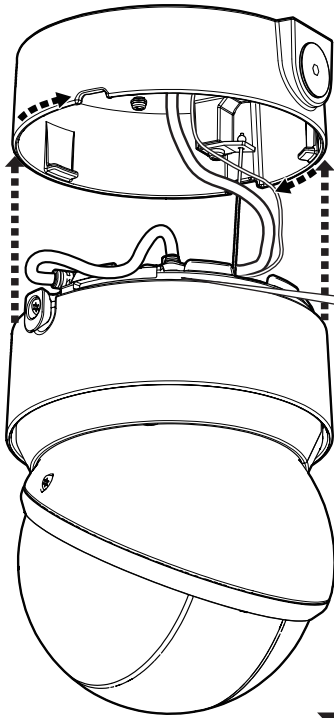
 Site Web d'informations techniques  
 "Countermeasure for Lightning Surge"  
 <Contrôle No.: C0121>

 Couple de serrage recommandé:  
 0,78 N·m {0,58 lbf·ft}

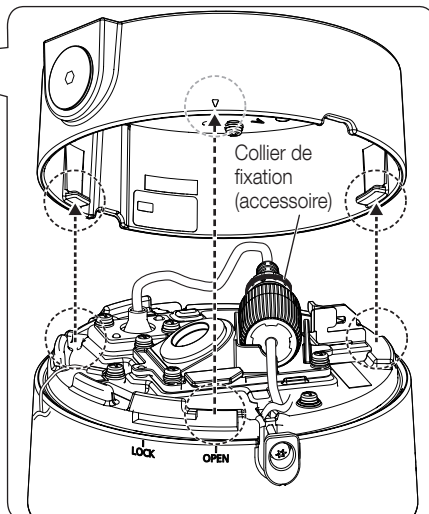
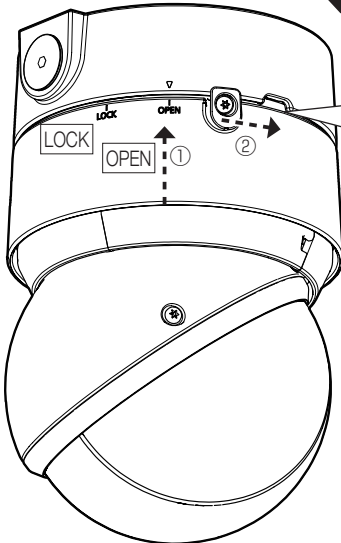
## Étape 7



- Avant de fixer temporairement la caméra à la platine de fixation, retirer le ruban adhésif fixant les sections des clavettes gauche et droite et s'assurer que les filetages ne sont pas coincés.



- Fixer le connecteur imperméable à l'eau RJ45 (accessoire) à l'aide du collier de fixation (accessoire) dans la position prédéterminée sur le couvercle du câble.

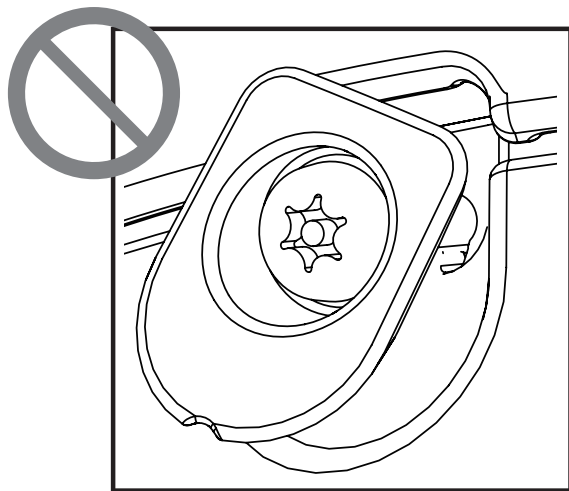
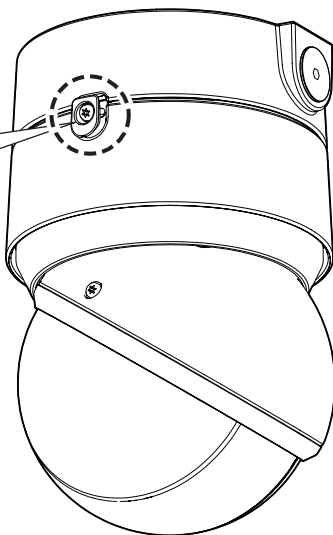
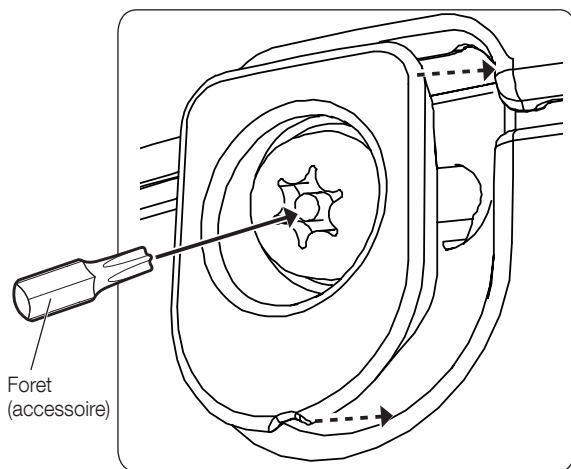


## Étape 8



Couple de serrage recommandé:  
0,78 N·m {0,58 lbf·ft}

- Il y a deux vis de fixation, une sur le côté droit et une sur le côté gauche.



**Type 3 Finition**

## Installationshandbuch

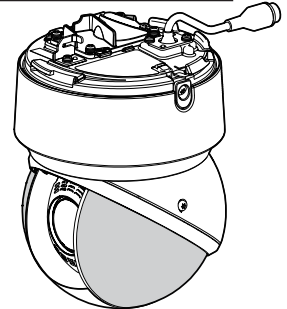
Beiliegende Einbauanleitung

### Netzwerkamera

Nur für die professionelle Anwendung

Verwendung im Freien

Modell-Nr. Modellreihe WV-S66700  
Modellreihe WV-S66600  
Modellreihe WV-S66300  
Modellreihe WV-X66700  
Modellreihe WV-X66600  
Modellreihe WV-X66300  
(Modellreihe WV-X66x00 (Starke Salzschaadenbeständigkeit))



WV-S66700-Z3LN

- Die in diesem Handbuch behandelten Modellnummern sind auf Seite 73 angegeben.

### Bedienerhandbücher

Die Produktdokumentation besteht aus den folgenden Dokumenten.

- **Installationshandbuch (vorliegendes Dokument):** Bietet die Informationen zu den "Vorsichtsmaßnahmen", "Vorsichtsmaßnahmen zur Installation" und dem Montageverfahren.
- **Web-Anleitung (siehe den Link auf der folgenden Produktinformations-Website):** Enthält Installationsvideos, Grundfunktionen und grundlegende Betriebsmethoden für dieses Gerät.
- **User manual (Nur Englisch) (siehe den Link auf der folgenden Produktinformations-Webseite):** In diesem Abschnitt werden die Software-Bedienungsanweisungen beschrieben, die für alle Modelle gelten.  
[https://i-pro.com/products\\_and\\_solutions/en/surveillance/documentation-database](https://i-pro.com/products_and_solutions/en/surveillance/documentation-database)



Die in diesen Dokumenten verwendete "<Kontroll-Nr.: C\*\*\*\*>" kann zur Suche auf unserer Website für technische Informationen ([https://i-pro.com/products\\_and\\_solutions/en/surveillance/learning-and-support/knowledge-base/technical-information](https://i-pro.com/products_and_solutions/en/surveillance/learning-and-support/knowledge-base/technical-information)) verwendet werden und leitet Sie zu den richtigen Informationen weiter.

- Bitte lesen Sie diese Bedienungsanleitung vor dem Anschließen und der Inbetriebnahme dieses Produkts aufmerksam durch und speichern Sie das Merkblatt "Important Safety Instructions" zur späteren Verwendung.
- Die microSDXC/ microSDHC/ microSD-Speicherkarte sind unter dem Begriff microSD-Speicherkarte zusammengefasst.
- Die Abbildungen in diesem Handbuch, die das äußere Aussehen und Teile des Geräts zeigen, können aufgrund laufender Verbesserungen geringfügig vom tatsächlichen Produkt abweichen.



ii-PRO Co., Ltd.

Tokyo, Japan

<https://www.i-pro.com/>

Authorised Representative in EU:  
ii-PRO EMEA B.V.  
Laarderhoogtweg 25, 1101 EB  
Amsterdam, Netherlands

ii-PRO EMEA B.V. UK Branch  
1010 Cambourne Business Park,  
Cambridgeshire CB23 6DP



• **Dieses Handbuch deckt die folgenden Modelle ab.**

■ **Normale Modelle:**

**Modellreihe WV-S66700 (WV-S66700-Z3LN<sup>\*1 \*3</sup>, WV-S66700-Z3N<sup>\*1 \*4</sup>, WV-S66700-Z3L<sup>\*2 \*3</sup>, und WV-S66700-Z3<sup>\*2 \*4</sup>)**

**Modellreihe WV-S66600 (WV-S66600-Z3LN<sup>\*1 \*3</sup>, WV-S66600-Z3N<sup>\*1 \*4</sup>, WV-S66600-Z3L<sup>\*2 \*3</sup>, und WV-S66600-Z3<sup>\*2 \*4</sup>)**

**Modellreihe WV-S66300 (WV-S66300-Z4LN<sup>\*1 \*3</sup>, WV-S66300-Z3LN<sup>\*1 \*3</sup>, WV-S66300-Z4N<sup>\*1 \*4</sup>, WV-S66300-Z3N<sup>\*1 \*4</sup>, WV-S66300-Z4L<sup>\*2 \*3</sup>, WV-S66300-Z3L<sup>\*2 \*3</sup>, WV-S66300-Z4<sup>\*2 \*4</sup>, und WV-S66300-Z3<sup>\*2 \*4</sup>)**

■ **Modelle mit hoher Widerstandsfähigkeit gegen Schäden durch Salz (Modellreihe WV-X66x00)**

**Modellreihe WV-X66700 (WV-X66700-Z3LK<sup>\*1 \*3</sup>, WV-X66700-Z3K<sup>\*1 \*4</sup>, WV-X66700-Z3LS<sup>\*2 \*3</sup>, und WV-X66700-Z3S<sup>\*2 \*4</sup>)**

**Modellreihe WV-X66600 (WV-X66600-Z3LK<sup>\*1 \*3</sup>, WV-X66600-Z3K<sup>\*1 \*4</sup>, WV-X66600-Z3LS<sup>\*2 \*3</sup>, und WV-X66600-Z3S<sup>\*2 \*4</sup>)**

**Modellreihe WV-X66300 (WV-X66300-Z4LK<sup>\*1 \*3</sup>, WV-X66300-Z3LK<sup>\*1 \*3</sup>, WV-X66300-Z4K<sup>\*1 \*4</sup>, WV-X66300-Z3K<sup>\*1 \*4</sup>, WV-X66300-Z4LS<sup>\*2 \*3</sup>, WV-X66300-Z3LS<sup>\*2 \*3</sup>, WV-X66300-Z4S<sup>\*2 \*4</sup>, und WV-X66300-Z3S<sup>\*2 \*4</sup>)**

\*1 Modell mit ClearSight-Beschichtung

\*2 Modell ohne ClearSight-Beschichtung

\*3 Modell mit IR-LED-Lampe

\*4 Modell ohne IR-LED-Lampe

**Entsorgung von Altgeräten und Batterien**

**Nur für die Europäische Union und Länder mit Recyclingsystemen**



Dieses Symbol, auf den Produkten, der Verpackung und/oder den Begleitdokumenten, bedeutet, dass gebrauchte elektrische und elektronische Produkte sowie Batterien nicht in den allgemeinen Hausmüll gegeben werden dürfen.

Bitte führen Sie alte Produkte und verbrauchte Batterien zur Behandlung, Aufarbeitung bzw. zum Recycling gemäß den gesetzlichen Bestimmungen den zuständigen Sammelpunkten zu. Endnutzer sind in Deutschland gesetzlich zur Rückgabe von Altbatterien an einer geeigneten Annahmestelle verpflichtet. Batterien können im Handelsgeschäft unentgeltlich zurückgegeben werden.

Indem Sie diese Produkte und Batterien ordnungsgemäß entsorgen, helfen Sie dabei, wertvolle Ressourcen zu schützen und eventuelle negative Auswirkungen, insbesondere beim Umgang mit lithiumhaltigen Batterien, auf die menschliche Gesundheit und die Umwelt zu vermeiden.

Für mehr Informationen zu Sammlung und Recycling, wenden Sie sich bitte an Ihren örtlichen Abfallentsorgungsdienstleister.

Gemäß Landesvorschriften können wegen nicht ordnungsgemäßer Entsorgung dieses Abfalls Strafgebühren verhängt werden.



**Hinweis für das Batteriesymbol (Symbol unten)**

Dieses Symbol kann in Kombination mit einem chemischen Symbol abgebildet sein. In diesem Fall erfolgt dieses auf Grund der Anforderungen derjenigen Richtlinien, die für die betreffende Chemikalie erlassen wurden.

## WARNUNG:

- Der Betrieb dieses Produkts in einem Wohngebiet kann Funkstörungen verursachen.

## Vorsicht:

- Die Gleichstromversorgung für dieses Gerät muss aus demselben Gebäude stammen.
- Die Netzwerkkamera ist für den Anschluss an ein Ethernet- bzw. PoE-Netzwerk bestimmt und darf nicht nach außen geroutet werden.
- Dieses Produkt besitzt keinen Netzschalter. Installieren Sie daher Trennvorrichtungen wie einen Schutzschalter, um die Hauptleistung der Stromversorgungsanlagen zu diesem Produkt unterbrechen zu können.
- Bitte lesen Sie diese Bedienungsanleitung vor dem Anschließen und der Inbetriebnahme dieses Produkts aufmerksam durch.

## Hinweis:

- Dieses Produkt ist nicht zur Verwendung an Orten geeignet, an denen wahrscheinlich Kinder anwesend sind.
- Stellen Sie dieses Produkt nicht an Orten auf, die von gewöhnlichen Personen leicht zu erreichen sind.
- Dieses Produkt ist ein professionelles Gerät.
- Informationen zu den erforderlichen Schrauben und anderen Teilen für den Einbau finden Sie im entsprechenden Abschnitt dieses Dokuments.

■ ■ ■ : Gleichstromsymbol

 : Vorsicht, Infrarotstrahlung

## Vorsichtsmaßnahmen

Um Personen- und Sachschäden zu vermeiden, wird darin erklärt, was unbedingt zu beachten ist. Die Sicherheitshinweise, die für alle Netzwerkkameramodelle von i-PRO gelten, finden Sie auf der Website, die über den zweidimensionalen Barcode auf der rechten Seite verlinkt ist. Bitte achten Sie darauf, sie zu konsultieren.  
[https://i-pro.com/products\\_and\\_solutions/en/surveillance/learning-and-support/knowledge-base/safety-instructions](https://i-pro.com/products_and_solutions/en/surveillance/learning-and-support/knowledge-base/safety-instructions)



- **Installieren Sie dieses Produkt nicht in einer eingeschränkten oder verbotenen Umgebung.**  
Bei Nichtbeachtung kann es zu Verletzungen, Unfällen oder Fehlfunktionen aufgrund von Herunterfallen kommen.  
Bitte beachten Sie die für alle Modelle geltenden Sicherheitshinweise auf der oben genannten Website sowie die Installationshinweise in der Installationsanleitung.
- **Zur Installation an einen Fachhändler wenden.**  
Installationsarbeiten erfordern Fachkenntnisse und Erfahrung. Andernfalls besteht die Gefahr von Brand, elektrischem Schlag, Verletzungen, oder Schäden an diesem Produkt. Unbedingt einen Fachhändler konsultieren.
- **Installieren Sie das Produkt ordnungsgemäß und sicher an einer Installationsfläche entsprechend den Installationsanleitungen.**  
Bei Nichtbeachtung besteht die Gefahr von Verletzungen oder Unfällen.
- **Treffen Sie Maßnahmen zum Schutz vor dem Herunterfallen des Produkts.**  
Andernfalls besteht die Gefahr des Herunterfallens, was zu Verletzungen führen kann.  
Befestigen Sie das Produkt mit Schrauben oder Dübeln sicher an der Installationsfläche. Wenn der Fallschutzdraht im Lieferumfang enthalten ist, installieren Sie ihn unbedingt.
- **Bei Störungen des Produkts den Betrieb sofort einstellen.**  
Wird das Produkt weiter betrieben, wenn Rauch oder Rauchgeruch austritt oder das Äußere beschädigt ist, kann es zu Brand oder zum Herunterfallen des Produkts kommen, was Verletzungen, Unfälle oder Schäden am Eigentum zur Folge haben kann.  
In diesem Fall sofort die Stromversorgung ausschalten und das Gerät von einem qualifizierten Kundendiensttechniker warten lassen.
- **Führen Sie regelmäßige Inspektionen durch.**  
Bei Verwendung von rostigen Metallteilen oder Schrauben kann das Produkt herunterfallen und dabei Verletzungen oder Unfälle verursachen.  
Kontrollen durch Fachhändler durchführen lassen.  
Schalten Sie vor der Inspektion oder Wartung unbedingt den Strom ab.

## Vorsichtsmaßnahmen zur Installation

**i-PRO Co., Ltd. übernimmt keine Verantwortung für Verletzungen oder Sachschäden, die aus der Installation oder Bedienung resultieren, die nicht wie in dieser Dokumentation beschrieben ausgeführt werden.**

- **Das Produkt muss entsprechend dem Installationshandbuch sicher in einer Montagehalterung montiert werden, um eine Verletzung zu vermeiden.**

### ■ **Installationsbereich für dieses Produkt**

Zur Installation des Produkts eine für den vorgesehenen Einsatz geeignete Einbaufäche wählen (z.B. eine starke Installationsfläche).

- Sicherstellen, dass die Einbaustelle stark genug ist, um das Gewicht des Produkt zu tragen (z.B. eine Betondecke).
- Die Kamera an einem Gebäudepfeiler oder sonstiger starker Bestandteil des Bauwerks installieren.
- Von der Montage des Produkt an Gipskartonplatten oder Holzteilen wird abgeraten, da diese nicht die nötige Festigkeit aufweisen. Falls die Montage des Produkts auf einer solchen Fläche unvermeidlich ist, muss die Fläche ausreichend verstärkt werden.
- Die Kamera wurde mit einem starken Schutzmittel gegen Salzsäuren behandelt, doch dies gewährleistet keinen vollständigen Schutz gegen Korrosion. Wählen Sie bitte einen geeigneten Installationsort, etwa wo Meerwasser nicht direkt auf das Gerät spritzen kann. Bereiten Sie eine starke Behandlung gegen Salzsäuren für den Montageuntergrund sowie Installationshilfen wie Montagegestangen vor.  
**<Modellreihe WV-X66700> <Modellreihe WV-X66600> <Modellreihe WV-X66300>**

### ■ **Montageverfahren für dieses Produkt.**

Dieses Produkt ist konzipiert, um als Kamera in hängender Montage verwendet zu werden. Wird das Produkt auf einem Schreibtisch oder einer Schräge montiert, funktioniert es eventuell nicht richtig und seine Lebensdauer kann kürzer sein.

### ■ **Folgende Standorte sind zu vermeiden**

- Orte, die chemischen Stoffen ausgesetzt sind, z.B. in der Nähe eines Schwimmbads
- Orte, wo Feuchtigkeit und ölige Dünste auftreten, z.B. eine Küche
- Orte, wo die Luft leicht entflammbar Gase oder Lösungsmittel enthält
- Orte, wo Strahlung, Röntgenstrahlen, starke elektromagnetische Wellen oder Magnetfelder erzeugt werden
- Orte in der Nähe von Küsten, die direkt der Meeresbrise ausgesetzt sind **<Modellreihe WV-S66700> <Modellreihe WV-S66600> <Modellreihe WV-S66300>**, oder Orte, die ätzenden Gasen wie zum Beispiel heißen Quellen, vulkanischen Regionen usw. ausgesetzt sind
- Orte, wo die Temperatur nicht im vorgeschriebenen Bereich liegt
- Vibration ausgesetzte Kamerastandorte, wie z.B. an Bord von Fahrzeugen oder Schiffen oder über Produktionsstraßen (Dieses Produkt ist nicht für den Betrieb an Bord eines Fahrzeugs bestimmt.)
- Orte, an denen es infolge starker Temperaturschwankungen zu Kondensation kommt, wie z. B. in der Nähe des Außengeräts einer Klimaanlage.
- Orte in der Nähe von Gummiprodukten, die Schwefel enthalten (Dichtungen, Gummifüße usw.)

### ■ **Festziehen der Schrauben**

Keinen Schlagschrauber verwenden. Durch Schlagschrauber könnten die Schrauben beschädigt oder zu fest angezogen werden.

### ■ **Über Lichtreflexionen von außen oder Infrarotlicht**

In Abhängigkeit vom Einfallswinkel des externen Lichts kann auf dem Bildschirm ein Geisterbild erscheinen. Bei Verwendung von Infrarotlicht kann die Installation der Kamera in der Nähe einer Wand zu Reflexionen der Infrarotstrahlung führen, was dazu führt, dass ein Teil oder der gesamte Bildschirm weißlich erscheint.

- Bildbeispiele und die zu ergreifenden Maßnahmen finden Sie auf unserer Website für technische Informationen <Kontroll-Nr.: C0109>.

### ■ **Feuchtigkeit beachten**

Das Produkt bei geringer Feuchtigkeit installieren. Wird die Installation im Regen oder unter sehr feuchten Bedingungen durchgeführt, kann die Innenseite durch Feuchtigkeit beeinträchtigt werden, was zu einer Beschlagbildung im Inneren der Glockenabdeckung führen kann.

### ■ **Blitzschutz**

Bei im Freien verlegten Kabeln besteht die Möglichkeit, dass sie Blitzschlag ausgesetzt sind. In diesem Fall einen Blitzableiter in der Nähe der Kamera anbringen, dabei sollte das Netzkabel zwischen Kamera und Blitzableiter so kurz wie möglich gehalten werden, um die Wirkung des Blitzableiters zu optimieren. Siehe unsere Website für technische Informationen <Kontroll-Nr.: C0121>

### ■ Vermeidung von Rauschen

In der Nähe eines starken elektrischen Feldes einer TV- oder Radioantenne, eines Motors und Transformators oder eines starken elektrischen Feldes/Magnetfeldes einer Starkstromleitung (Überlandleitung) von 100 V oder mehr Wechselstrom kann ein Rauschen im Bild und Ton auftreten. Führen Sie die Arbeiten an den Stromleitungen so durch, dass sie 1 m von ihnen entfernt sind, oder führen Sie die Arbeiten an den Stromleitungen mit Metallrohren durch. (Achten Sie stets auf die Erdung der Metallrohre.)

### ■ Typenschild mit Typenbezeichnung und Stromversorgungsdaten

Typenbezeichnung und andere Informationen wie die Stromversorgung des Produkts sind auf dem Typenschild auf der Geräteunterseite angegeben.

### ■ Statische Elektrizität

Bevor Sie dieses Produkt installieren oder entfernen, berühren Sie unbedingt erst einen Metallgegenstand, um statische Elektrizität aus Ihrem Körper abzuleiten.

## Technische Daten

Stromversorgung*1:	<b>&lt;Alle Modelle&gt;</b> PoE++ (IEEE802.3bt-konform) <b>&lt;Modellreihe WV-S66300&gt; &lt;Modellreihe WV-X66300&gt;</b> PoE+ (IEEE802.3at-konform)*2
Leistungsaufnahme*1:	<b>&lt;Modell mit IR-LED-Lampe&gt;</b> PoE++ 54 V Gleichstrom: 850 mA / Ca. 45,9 W (Gerät der Klasse 6) PoE+ 54 V Gleichstrom*2: 470 mA / Ca. 25,4 W (Gerät der Klasse 4) <b>&lt;Modell ohne IR-LED-Lampe&gt;</b> PoE++ 54 V Gleichstrom: 700 mA / Ca. 37,8 W (Gerät der Klasse 6) PoE+ 54 V Gleichstrom*2: 320 mA / Ca. 17,3 W (Gerät der Klasse 4)
Einsatzbedingungen Betriebsumgebungstemperatur:	<b>PoE++</b> -50 °C bis +60 °C*3 (Einschaltbereich: -30 °C bis +60 °C) <b>PoE+*2</b> -20 °C bis +60 °C*3
Betriebsumgebungs-Luftfeuchtigkeit:	10 % bis 100 % (kondensationsfrei)
Lagerbedingungen Lagertemperatur:	-30 °C bis +60 °C
Lagerfeuchtigkeit:	10 % bis 95 % (kondensationsfrei)
Wasserdicht*4:	IP66 (IEC 60529), Typ 4X (UL50E), Entspricht NEMA 4X
Stoßfestigkeit:	IK10 (IEC 62262)
Windbeständigkeit:	Bis zu 40 m/s
Abmessungen:	Maximaler Durchmesser: ø167 mm × 205 mm (H) Dome-Radius: 77,5 mm (ohne Montage- und vorstehende Teile)
Masse:	Ca. 3 kg (ohne Anbauteile)
Lackierung:	<b>Gehäuse:</b> Aluminium-Druckguss, i-PRO Weiß/Schwarz (Starke Schutzschicht gegen Salzsäuren) <b>&lt;Modellreihe WV-X66700&gt; &lt;Modellreihe WV-X66600&gt; &lt;Modellreihe WV-X66300&gt;</b> PC-Harz, Schwarz <b>Äußere Befestigungsschrauben:</b> Edelstahl (Korrosionsbeständige Behandlung) <b>Glockenabdeckung:</b> PC-Harz, Clear (mit ClearSight-Beschichtung <sup>5</sup> )
Sonstiges:	Manipulationssicheres Gehäuse*6 Entspricht NEMA TS2 Maximaltemperatur gemäß NEMA TS 2 (2.2.7): 74 °C

\*1 Weitere Informationen über die Stromversorgung und Leistungsaufnahme finden Sie auf unserer Website für technische Informationen <Kontroll-Nr.: C0106>.

\*2 Die PoE+-Stromversorgung wird ab Softwareversion 3.65 oder neuer unterstützt. Bei Verwendung der PoE+-Stromversorgung ist die Heizfunktion stets deaktiviert, und die Schwenk-/Neigegeschwindigkeit des Objektivs ist auf maximal 90°/s begrenzt.

\*3 Bei Verwendung der dauerhaft leuchtenden IR-LED-Lampe beträgt die Obergrenze des Betriebstemperaturbereichs +50°C.

\*4 Unter der Voraussetzung, dass die Montage den in diesem Installationshandbuch enthaltenen Anweisungen entspricht und eine geeignete Wasserabdichtung aufgebracht wurde.

\*5 Es gibt Modelle, die mit einer ClearSight-Beschichtung ausgestattet sind, und Modelle, die nicht damit ausgestattet sind.

\*6 Komponente mit einer Struktur, die das Festschrauben oder Lösen der nach der Installation zugänglichen Schrauben mit einem gewöhnlichen Schraubendreher unmöglich macht.

## Sonderzubehör



Aktuelle Informationen → Website für technische Informationen "Accessory Selector"  
<Kontroll-Nr.: C0501>

## Fehlersuche

Bevor Sie Hilfe anfordern, siehe "Fehlersuche" in der "Web-Anleitung". Prüfen Sie anschließend das Problem.

## Standardzubehör

Important Safety Instructions ..... 1 St.

<p>Einsatz x1 (Sechskantschlüssel, Weite 6,35 mm T20)</p>	<p>Wasserdichte RJ45 Steckverbinderkappe x1</p>	<p>Wasserdichtes Gummi A x1 Wasserdichtes Gummi B x1</p>	<p>Befestigungsband x2 (einschl. 1 Reserve)</p>
<p>Klammer x1</p>	<p>Befestigungsschraube x2 (einschl. 1 Reserve)</p>	<p>Wasserdichtes Band x1</p>	<p>Regenwasserabweisendes Etikett x1 (nur Modell mit ClearSight -Beschichtung)</p>

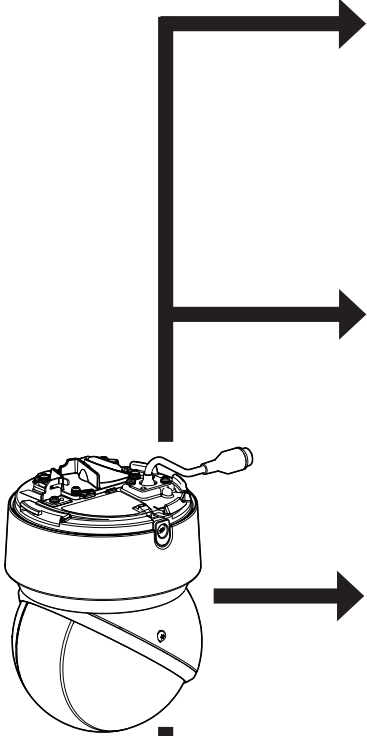
## Sonstige benötigte Gegenstände (nicht im Lieferumfang inbegriffen)

- Montageschrauben

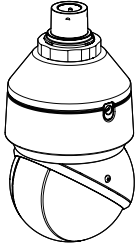
Montageverfahren	Empfohlene Schraube*1	Mindestausreißfestigkeit*2
Typ 1 WV-QSR506 (Montagehalterung) + WV-QCL501 (Deckenmontagehalterung)	M10 x 30 mm x 4 St.*3	1411 N
Typ 1 WV-QSR506 (Montagehalterung) + WV-QWL501 (Wandmontagehalterung)	M10 x 30 mm x 4 St.*3	823 N
Typ 2 WV-QSR506F/ WV-QSR506M (Montagehalterung) + Vor Ort beschaffte Halterung	Beachten Sie die Bedienungsanleitung für die Vor Ort beschaffte Halterung.	
Typ 3 WV-QJB505 (Sockelhalterung)	M4 x 16 mm x 4 St.*3	196 N
Typ 4 WV-QEM505 (Deckenmontagehalterung)	Sie im Installationshandbuch der WV-QEM505.	
Typ 5 WV-QWL502 (Wandmontagehalterung)	Sie im Installationshandbuch der WV-QWL502.	

\* Auf Seite 80 finden Sie eine Abbildung, die zeigt, wie dieses Produkt mit den Montagehalterungen des Typs 1 bis Typ 5 kombiniert wird.

- \*1 Wählen Sie Schrauben entsprechend dem Material des Ortes, an dem die Kamera montiert werden soll. Holzschrauben oder Nägel dürfen nicht verwendet werden.
- \*2 Dieser Wert gibt die erforderliche Mindestausreißfestigkeit pro Schraube an. Informationen zur Mindestausreißfestigkeit finden Sie auf unserer Website für technische Informationen <Kontroll-Nr.: C0120>.
- \*3 Die Schraubenlänge ist ein Beispiel für die Installation der Kamera an einer robusten Installationsfläche mit einer Dicke von 20 mm oder mehr.
- Ethernetkabel mit RJ45-Stecker (Kategorie 5e oder besser, geradlinig, alle 4 Leiterpaare (8 Pins), weniger als 100 m)

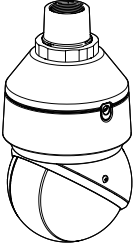


**Typ 1**



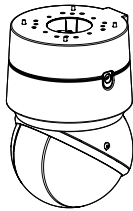
WV-QSR506-W/ WV-QSR506S-W  
 ⇒ Seite 81 - 87 (Vorbereitungen)  
 ⇒ Seite 88

**Typ 2**



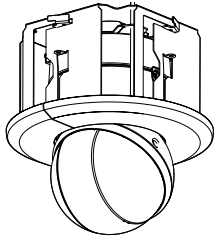
WV-QSR506M-W/ WV-QSR506M1-W  
 WV-QSR506F-W/ WV-QSR506F1-W  
 ⇒ Seite 81 - 87 (Vorbereitungen)  
 ⇒ Seite 94

**Typ 3**



WV-QJB505-W  
 ⇒ Seite 81 - 87 (Vorbereitungen)  
 ⇒ Seite 100

**Typ 4**

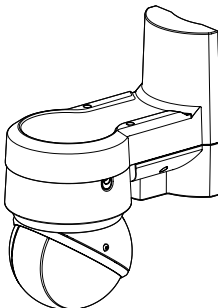


WV-QEM505-W



⇒ Installationshandbuch  
 der WV-QEM505.

**Typ 5**



WV-QWL502-W



⇒ Installationshandbuch  
 der WV-QWL502

# Installationsverfahren

■ Siehe Web-Anleitung

## Teile und Funktionen

### Anmerkung:

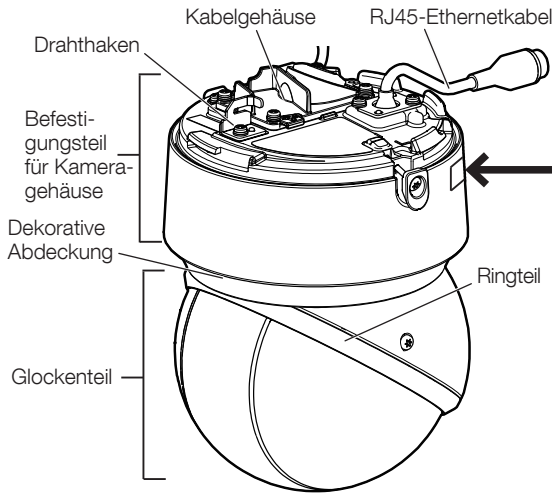
Auf dem Ring rund um die Glockenabdeckung kann ein Muster aus tropfender Flüssigkeit sichtbar sein. Diese Markierungen entstehen, wenn ClearSight-Beschichtung auf die Glockenabdeckung aufgetragen wird, und beeinträchtigen die Leistung nicht. (nur Modell mit ClearSight-Beschichtung)

**VORSICHT**

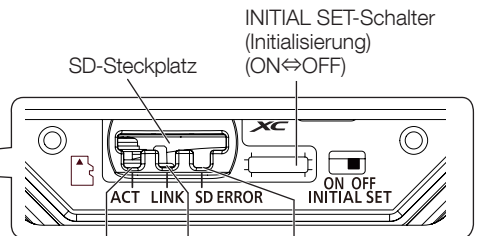
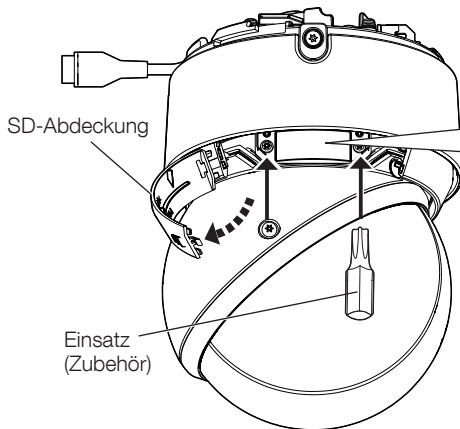
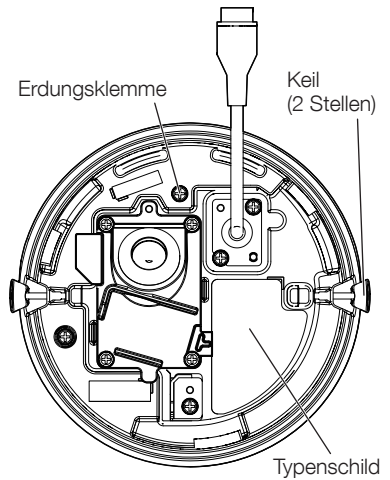


**RISIKOGRUPPE 2**

Von diesem Produkt emittiertes IR. Augenkontakt vermeiden.  
Geeignete Abschirmung oder Augenschutz verwenden.



(Nur Modell mit IR-LED-Lampe)



ACT-Anzeige LINK-Anzeige SD ERROR-Anzeige



(Grün)



(Orange)



(Rot)

\* Die SD-Abdeckung ist in der obigen Abbildung weggelassen.



: Leuchtet



: Blinkt



: Erlischt



• Alle LEDs erlöschen  
⇒ Siehe "Indicators" in der "User manual".

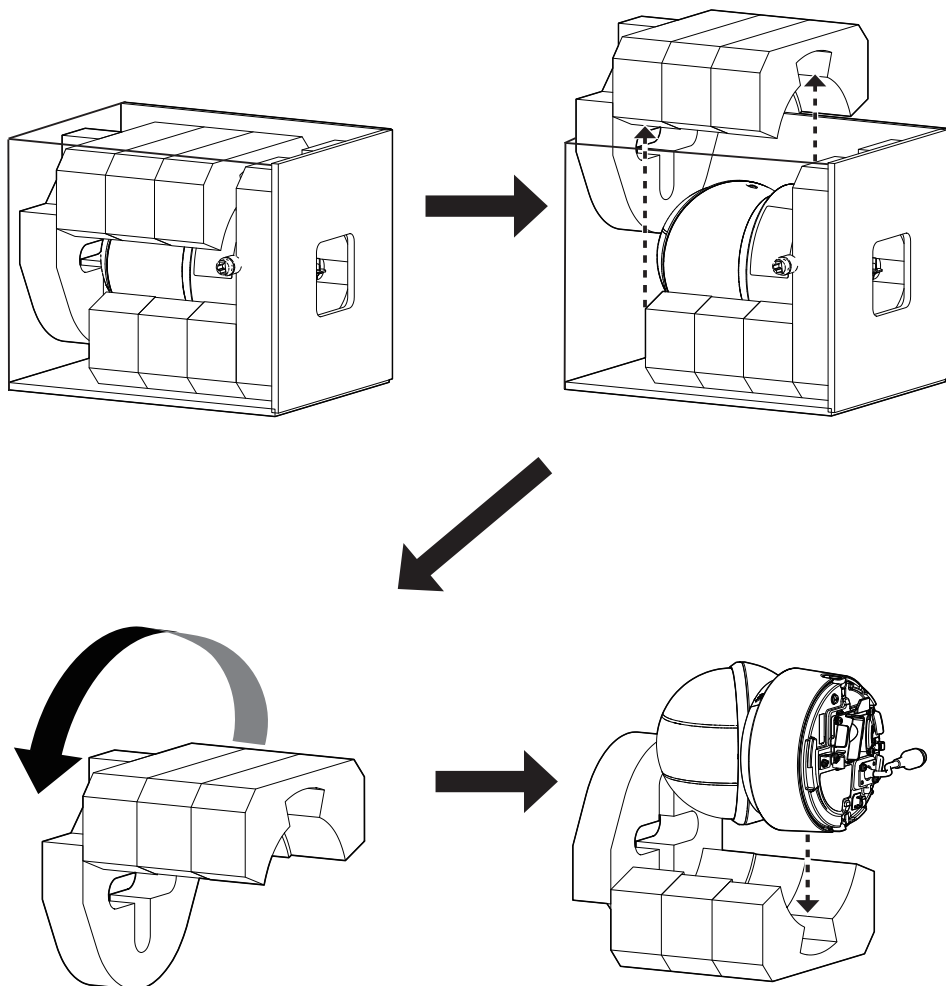
# Schritt 1

## Vorbereitungen

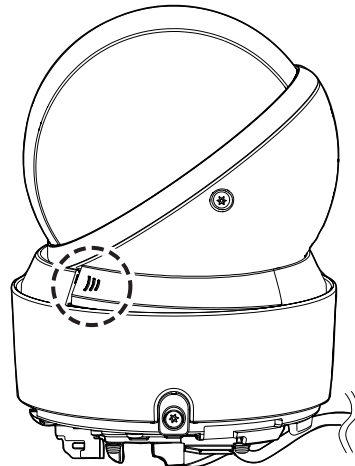
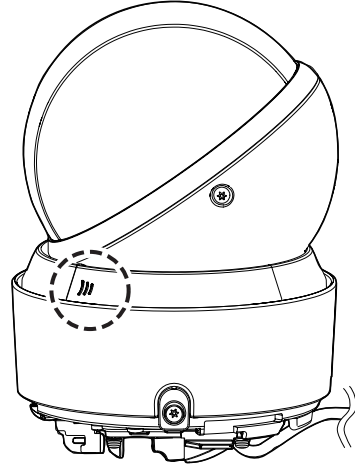
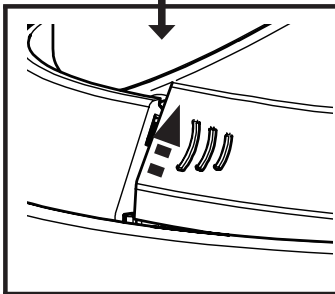
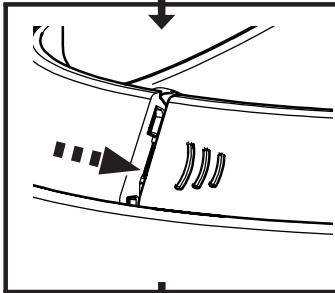
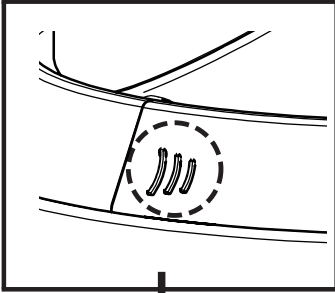
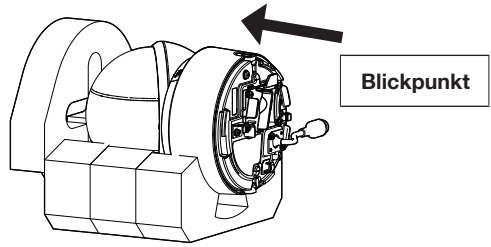
### ■ Gemeinsam

**Anmerkung:**

Die nachfolgende Abbildung zeigt die Innenseite des Verpackungskartons für dieses Produkt.



## ■ Bei Verwendung einer microSD-Speicherkarte

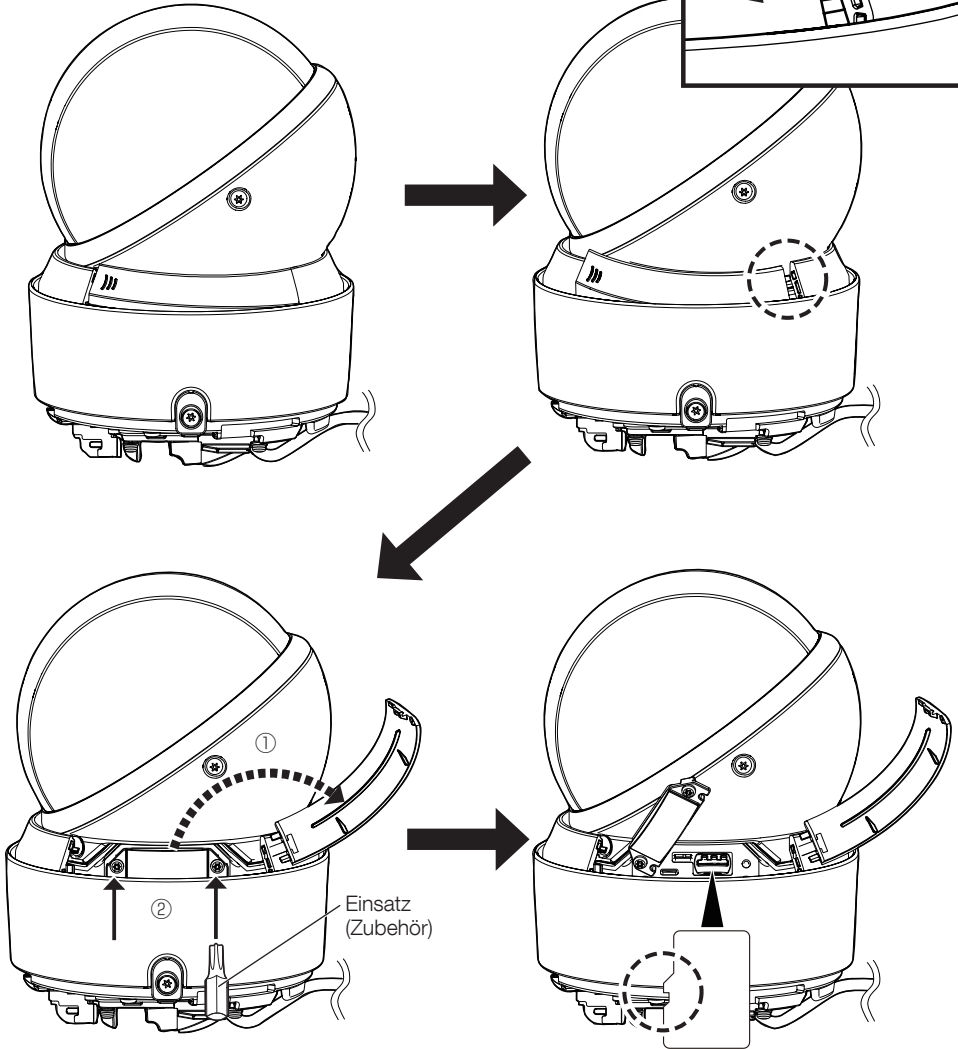
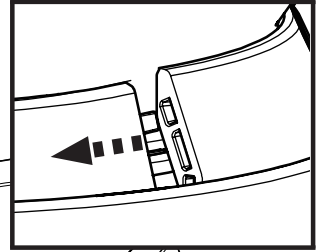


### **Anmerkung:**

Heben Sie die Zierabdeckung an, indem Sie mit Ihren Fingerspitzen in den durch das Verschieben der Zierabdeckung entstandenen Spalt greifen.

## ■ Bei Verwendung einer microSD-Speicherkarte (Fortsetzung)

- Schieben Sie die Zierabdeckung nach links und entfernen Sie den Haken am rechten Ende.
- Setzen Sie eine microSD-Speicherkarte in den SD-Steckplatz ein.

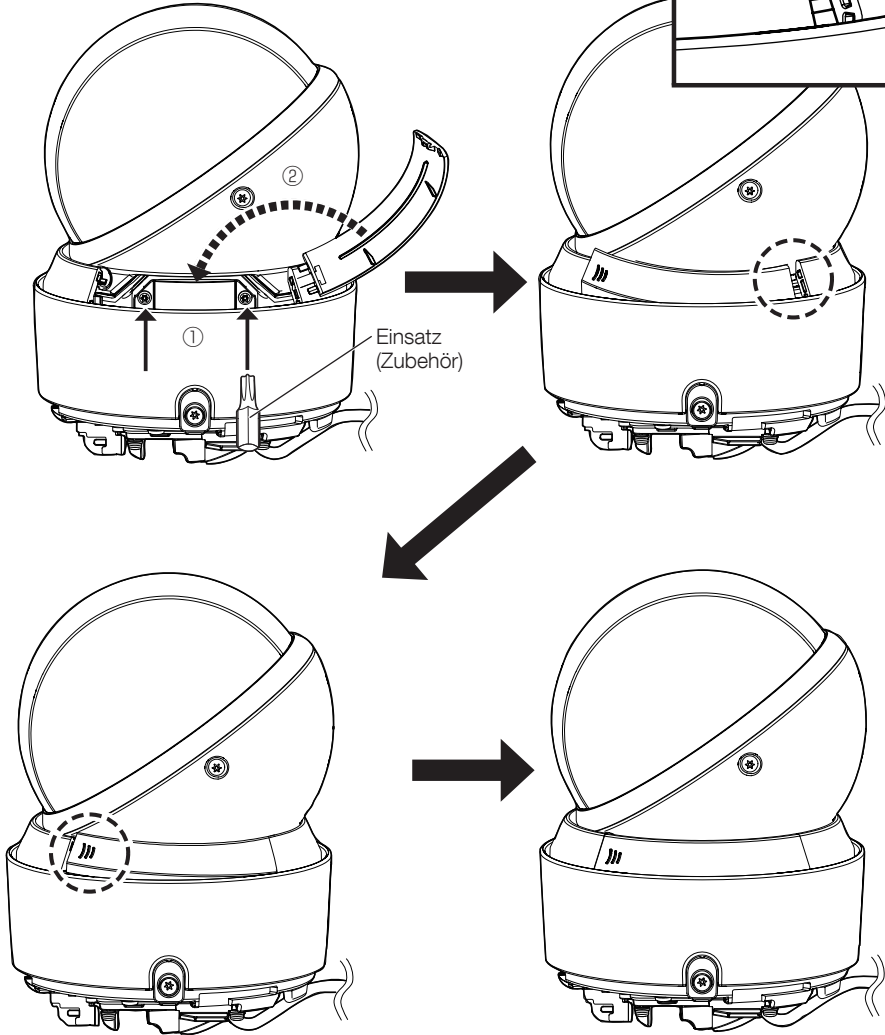
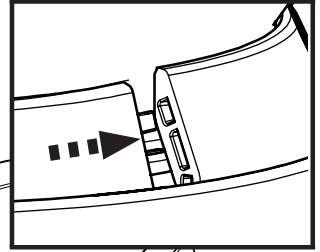


- User manual [Format]
- Eine speziell für i-PRO-Kameras geeignete microSD-Speicherkarte verwenden.

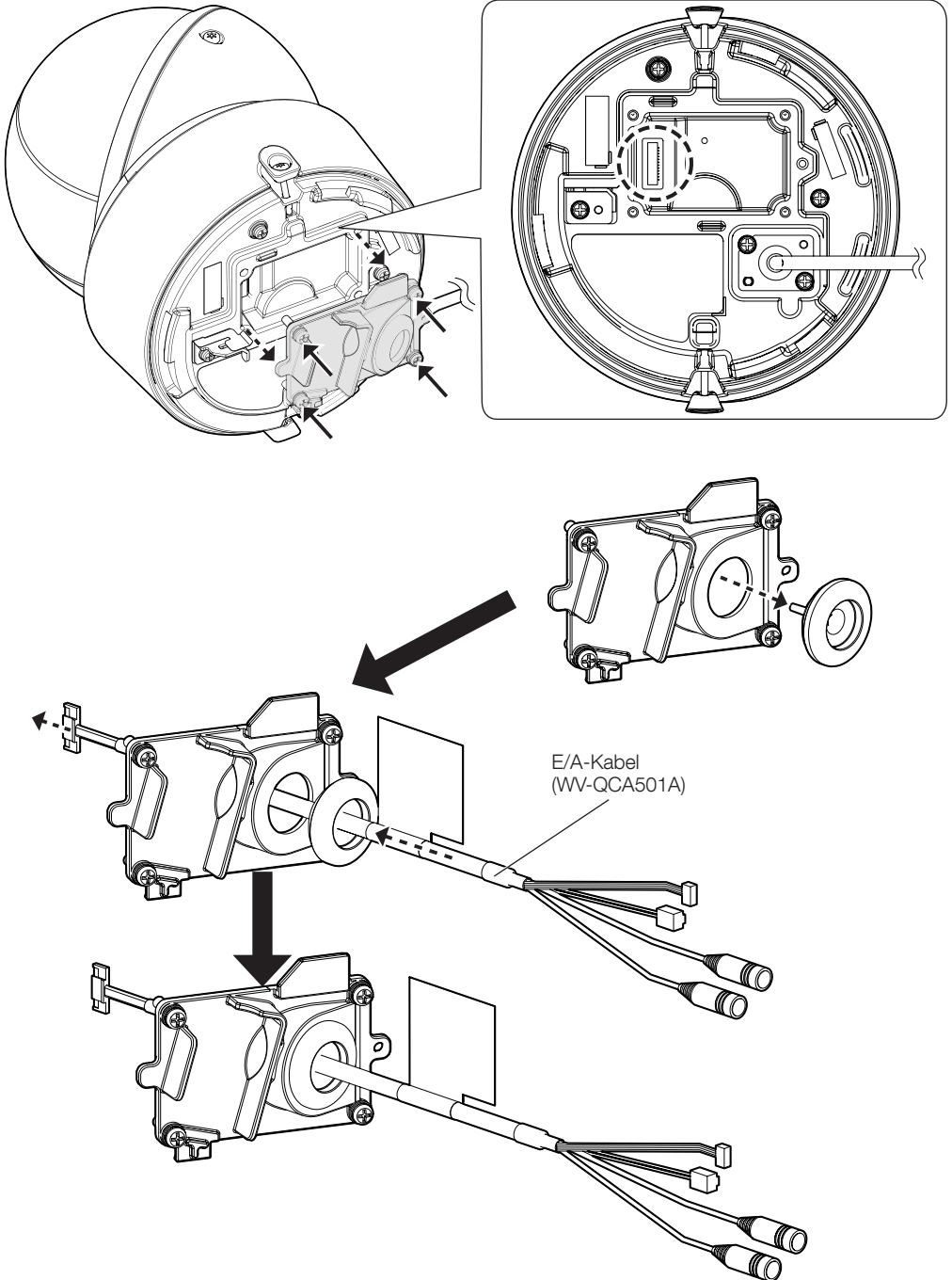
## ■ Bei Verwendung einer microSD-Speicherkarte (Fortsetzung)



Empfohlenes Anzugsmoment:  
0,78 N·m



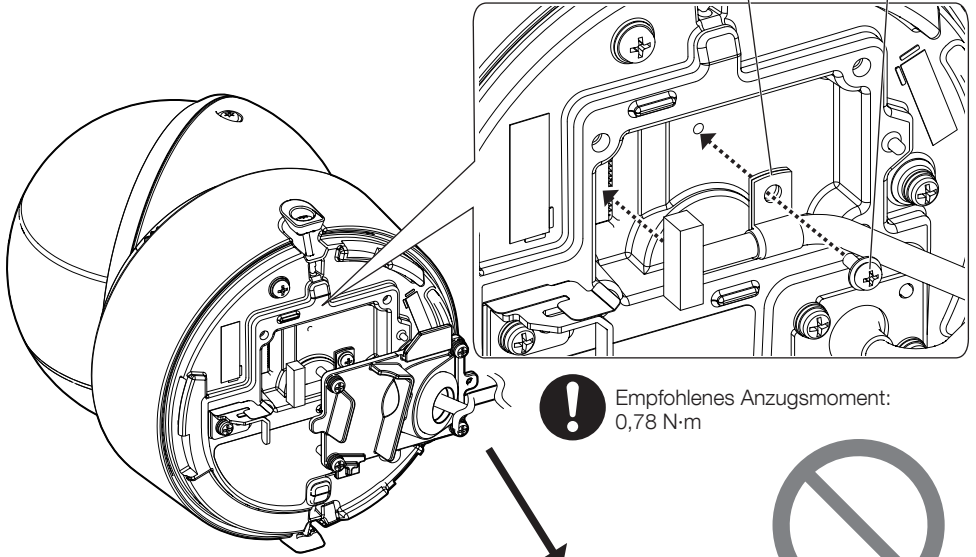
## ■ Bei Verwendung eines E/A-Kabels (WV-QCA501A)



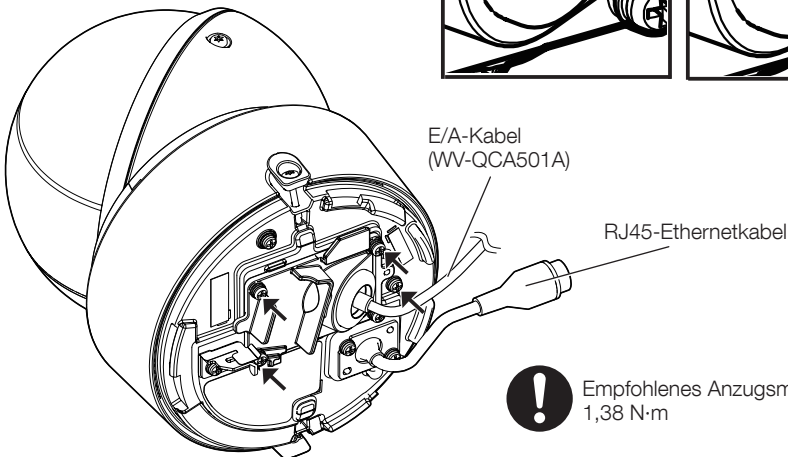
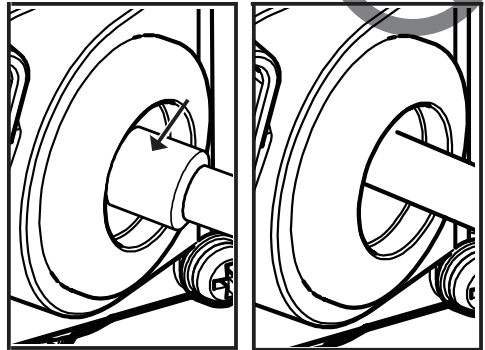
# ■ Bei Verwendung eines E/A-Kabels (WV-QCA501A) (Fortsetzung)

Klammer  
(Zubehör)

Befestigungs-  
schraube  
(M3: Zubehör)



! Empfohlenes Anzugsmoment:  
0,78 N·m



E/A-Kabel  
(WV-QCA501A)

RJ45-Ethernetkabel

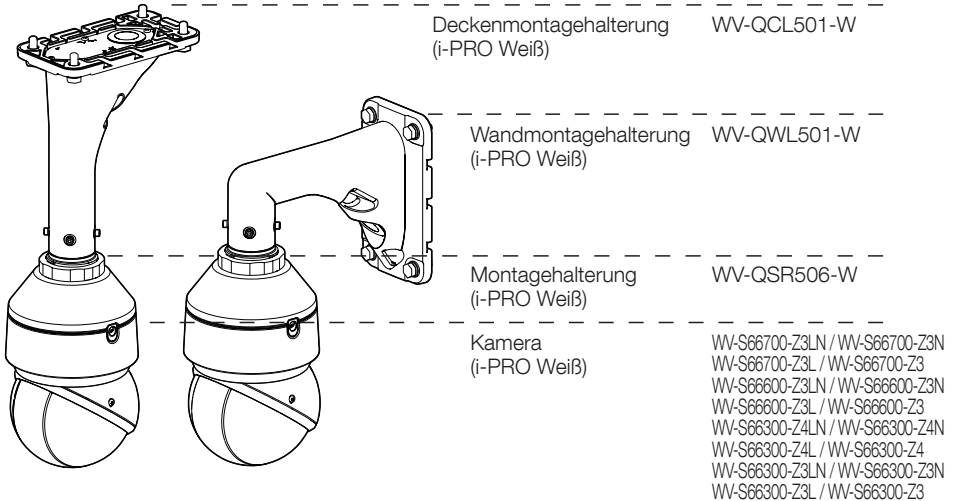
! Empfohlenes Anzugsmoment:  
1,38 N·m

# Installations Typ 1

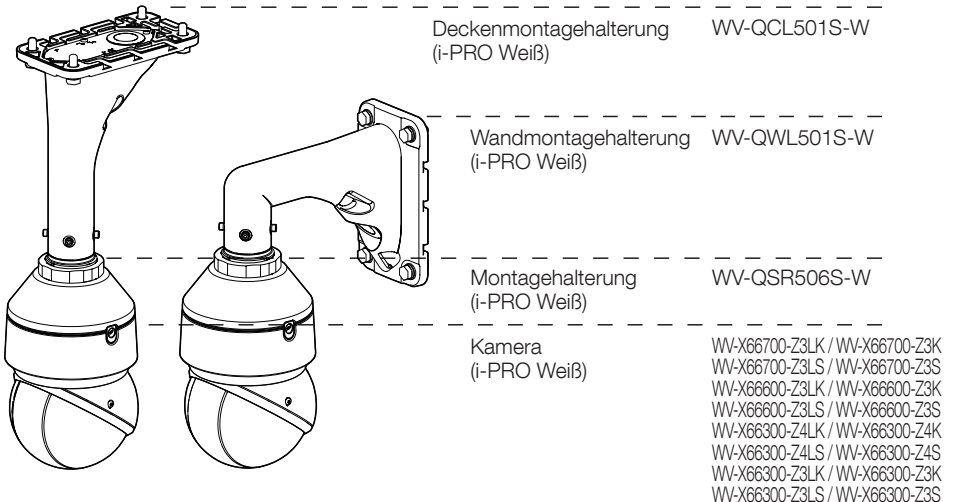
## Schritt 2

## Überprüfung der Kombination der Halterungen

### ■ Installation mit normaler Ausführung



### ■ Installation mit Ausführung für starke Salzscha-denbeständigkeit (Starke Salzscha-denbeständigkeit)



\* Nachfolgend ist ein Beispiel für die Installation der WV-QSR506 und WV-QWL501 in Kombination beschrieben.

In anderen Fällen lesen Sie dieses Handbuch zusammen mit den Bedienungsanleitungen für die anderen zu verwendenden Halterungen.

# Schritt 3

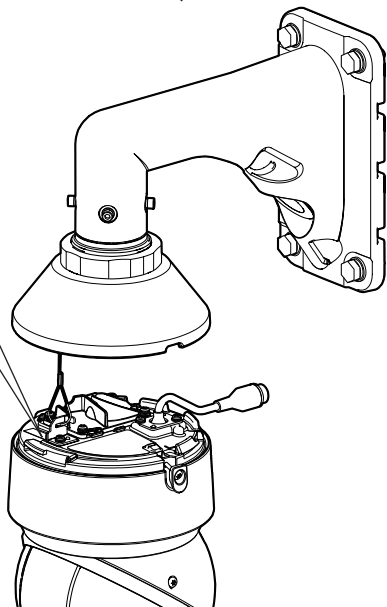
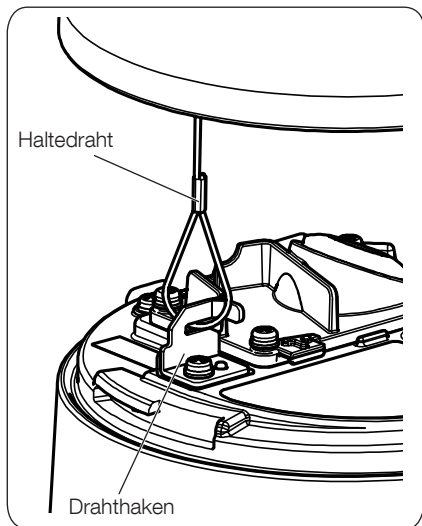
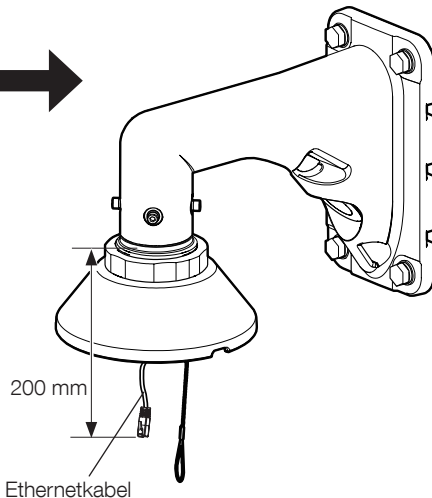
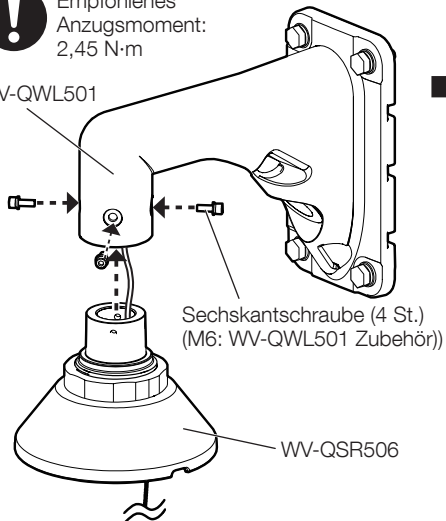
Lesen Sie in der Bedienungsanleitung der Halterung nach, wie Sie die WV-QWL501 an der Installationsfläche befestigen.

Einige der Anschlusskabel können in den Abbildungen weggelassen sein.



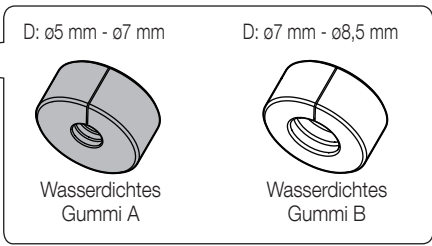
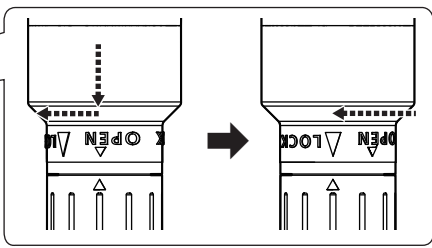
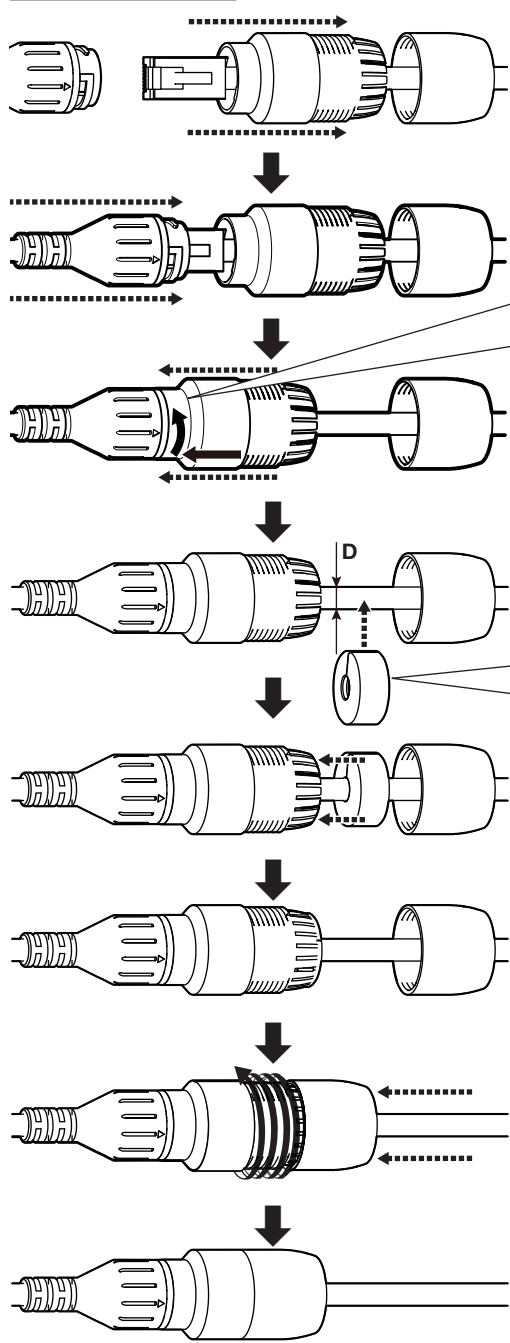
Empfohlenes Anzugmoment:  
2,45 N·m

WV-QWL501



# Schritt 4

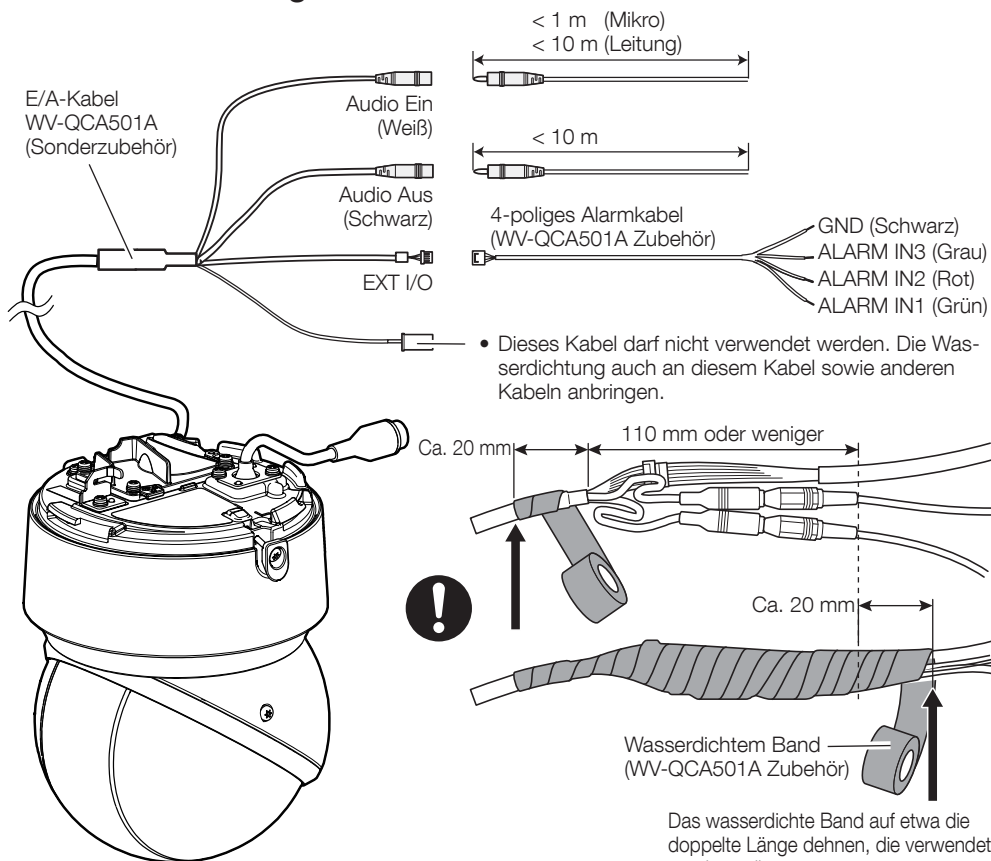
## ■ wasserdichter RJ45-Steckerverbinder



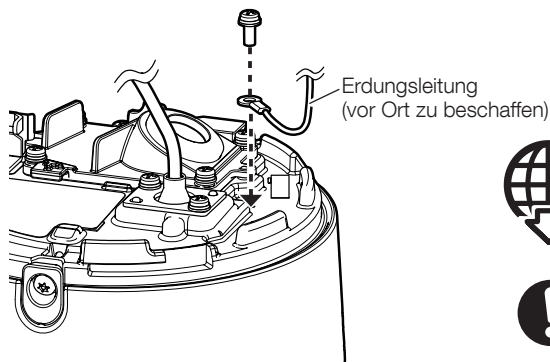
\* Verstärken Sie bei Bedarf die Abdichtung mit wasserdichtem Band (Zubehör). Bitte beachten Sie, dass die Verwendung von wasserdichtem Band die Verkabelung erschweren kann.

# Schritt 5

## ■ Bei Verwendung eines E/A-Kabels



## ■ Erdungsleitung



Das wasserdichte Band auf etwa die doppelte Länge dehnen, die verwendet werden soll.



Website für technische Informationen  
 "Countermeasure for Lightning Surge"  
 <Kontroll-Nr.: C0121>

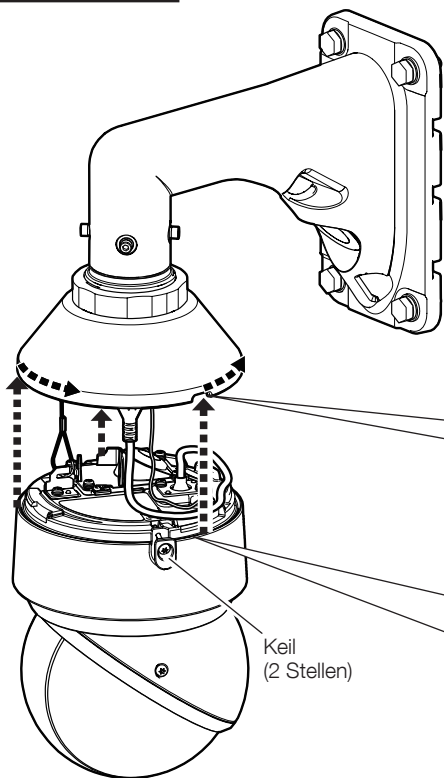


Empfohlenes Anzugsmoment:  
 0,78 N·m

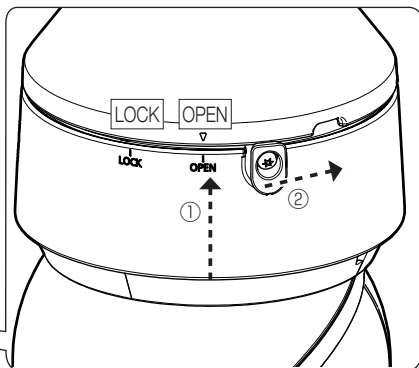
## Schritt 6



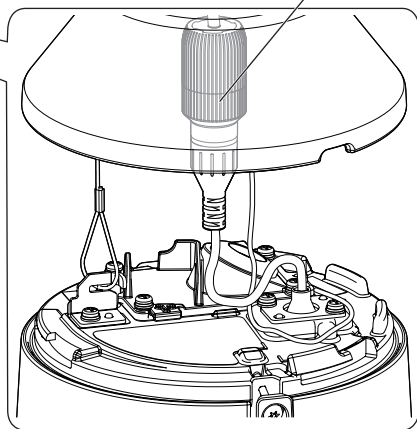
- Bevor Sie die Kamera provisorisch an der Halterung befestigen, entfernen Sie das Klebeband, mit dem der linke und rechte Keil befestigt ist, und vergewissern Sie sich, dass die Gewinde nicht eingeklemmt sind.



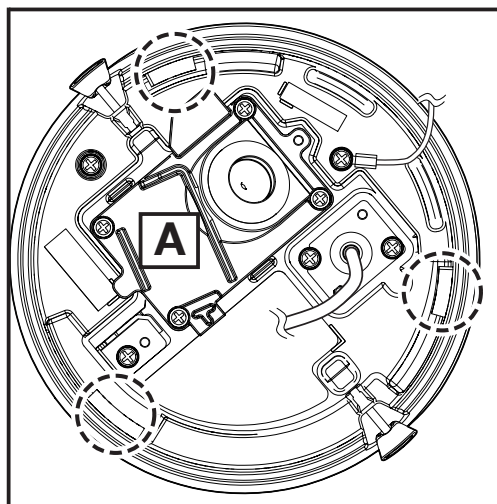
Keil  
(2 Stellen)



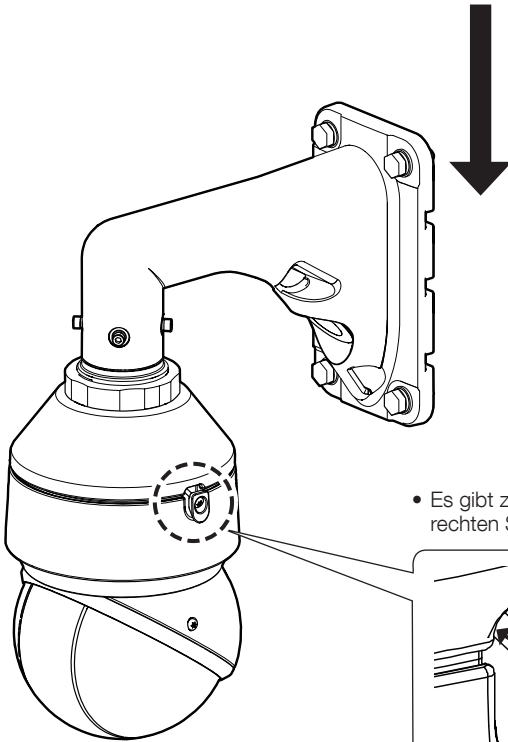
Wasserdichter RJ45-  
Steckerverbinder  
(Zubehör)



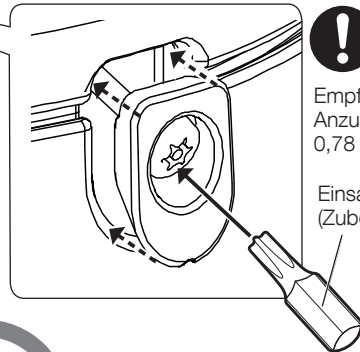
- Wenn Sie ein E/A-Kabel verwenden, legen Sie die mit wasserdichtem Band (Zubehör) umwickelten Kabel auf den Bereich **A** in der linken Abbildung.



**Siehe Web-Anleitung**

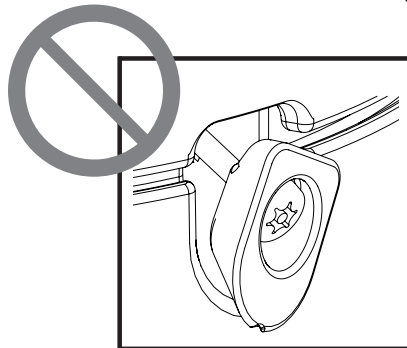


- Es gibt zwei Befestigungsschrauben, eine auf der rechten Seite und eine auf der linken Seite.



Empfohlenes  
Anzugsmoment:  
0,78 N·m

Einsatz  
(Zubehör)



**Typ 1 Lackierung**

# Installations Typ 2

## Schritt 2

## Überprüfung der Kombination der Halterungen

ISO

ANSI

Vor Ort beschaffte Halterung

Montagehalterung  
(i-PRO Weiß)

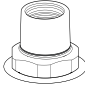
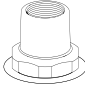
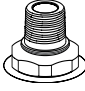
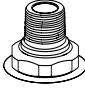
WW-QSR506F-W  
WW-QSR506M-W

WW-QSR506F1-W  
WW-QSR506M1-W

Kamera  
(i-PRO Weiß)

WW-S66700-Z3LN / WW-S66700-Z3N  
WW-S66700-Z3L / WW-S66700-Z3  
WW-S66600-Z3LN / WW-S66600-Z3N  
WW-S66600-Z3L / WW-S66600-Z3

WW-S66300-Z4LN / WW-S66300-Z4N  
WW-S66300-Z4L / WW-S66300-Z4  
WW-S66300-Z3LN / WW-S66300-Z3N  
WW-S66300-Z3L / WW-S66300-Z3

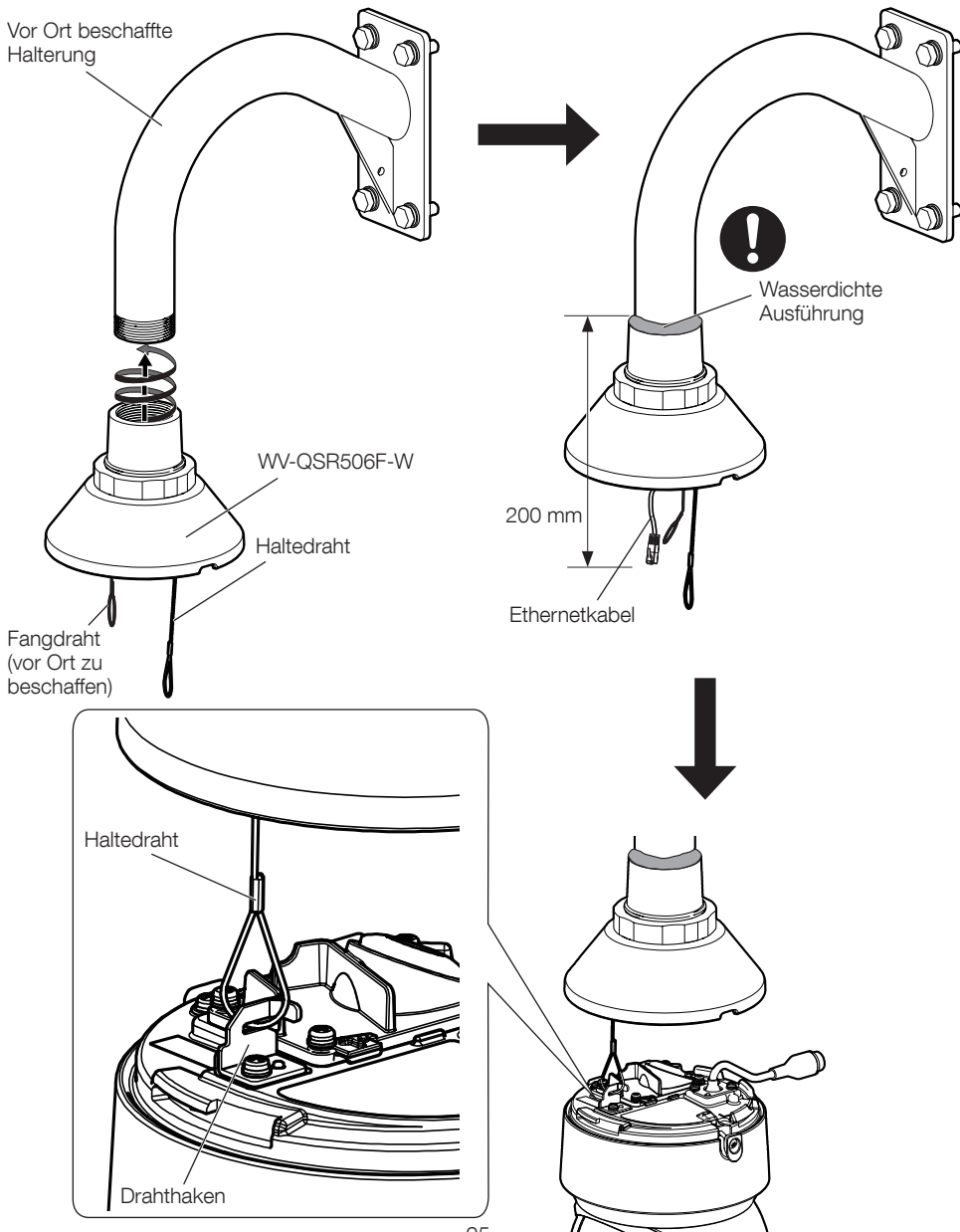
	Technische Daten des Anschlussbereichs dieses Produkts		Zu diesem Produkt passende Montagehalterung
WW-QSR506F-W	<b>Innenparallelgewinde (ISO)</b> 40A, Rp 1-1/2, 11 Gewindegang, Tiefe 25,4 mm		<b>Vor Ort zu beschaffen</b> 40A, R 1-1/2, 11 Gewindegang, Länge 25,4 mm oder mehr (Außenkegelgewinde)
WW-QSR506F1-W	<b>Innenparallelgewinde (ANSI)</b> 40A, NPSC 1-1/2, 11,5 Gewindegang, Tiefe 25,4 mm		<b>Vor Ort zu beschaffen</b> 40A, NPT 1-1/2, 11,5 Gewindegang, Länge 25,4 mm oder mehr (Außenkegelgewinde)
WW-QSR506M-W	<b>Außenkegelgewinde (ISO)</b> 40A, R 1-1/2, 11 Gewindegang, Länge 25,4 mm		<b>Vor Ort zu beschaffen</b> 40A, Rp 1-1/2, 11 Gewindegang, Tiefe 25,4 mm oder mehr (Innenparallelgewinde)
WW-QSR506M1-W	<b>Außenkegelgewinde (ANSI)</b> 40A, NPT 1-1/2, 11,5 Gewindegang, Länge 25,4 mm		<b>Vor Ort zu beschaffen</b> 40A, NPSC 1-1/2, 11,5 Gewindegang, Tiefe 25,4 mm oder mehr (Innenparallelgewinde)

# Schritt 3

Nachfolgend wird beschrieben, wie die WV-QSR506F-W in Kombination mit vor Ort beschaffte Halterung installiert wird.

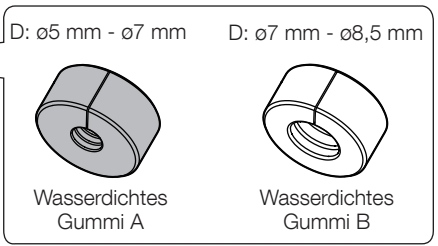
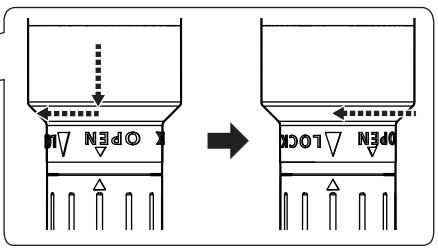
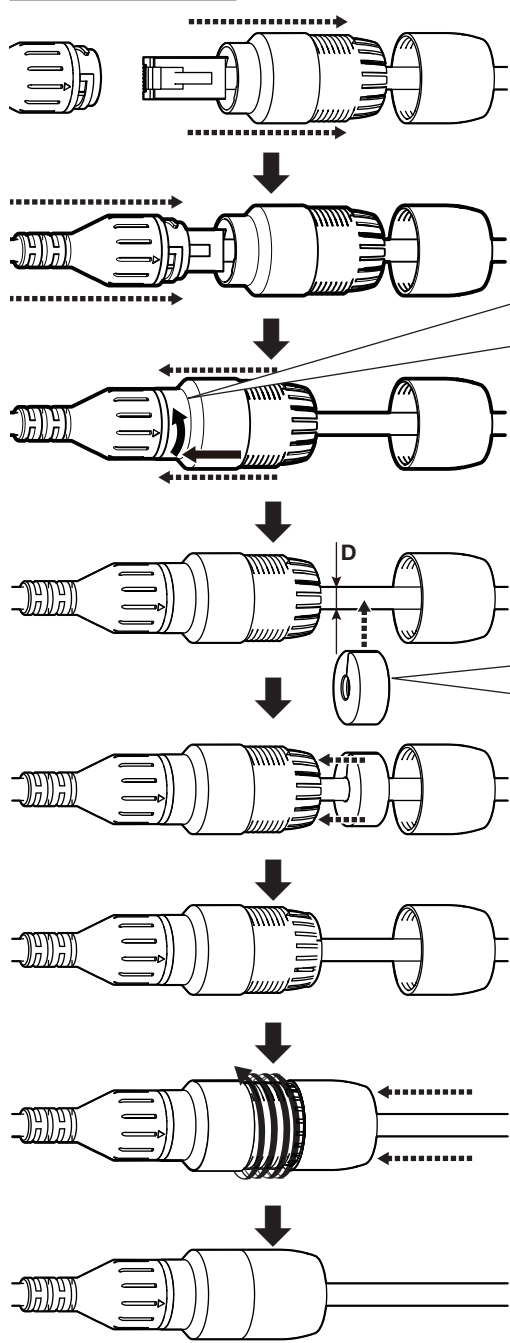
Ausführliche Informationen zur Installation, wie zum Beispiel zur Befestigung des Fangdrahts, finden Sie im Installationshandbuch der WV-QSR506.

Einige der Anschlusskabel können in den Abbildungen weggelassen sein.



# Schritt 4

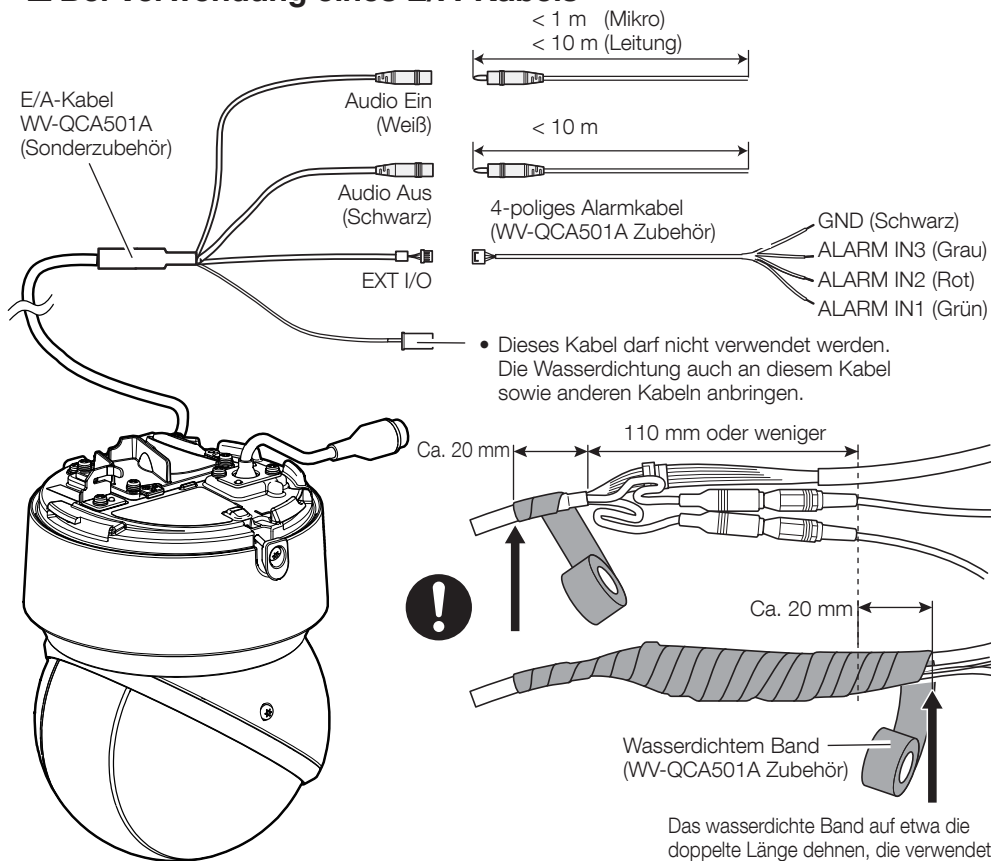
## ■ wasserdichter RJ45-Steckerverbinder



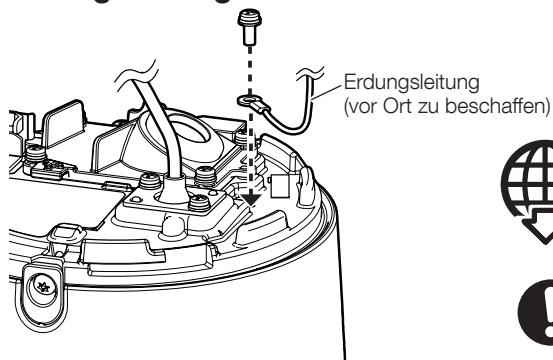
\* Verstärken Sie bei Bedarf die Abdichtung mit wasserdichtem Band (Zubehör). Bitte beachten Sie, dass die Verwendung von wasserdichtem Band die Verkabelung erschweren kann.

# Schritt 5

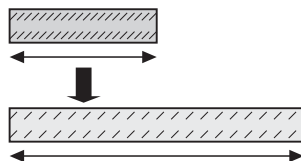
## Bei Verwendung eines E/A-Kabels



## Erdungsleitung



Das wasserdichte Band auf etwa die doppelte Länge dehnen, die verwendet werden soll.



Website für technische Informationen  
"Countermeasure for Lightning Surge"  
<Kontroll-Nr.: C0121>

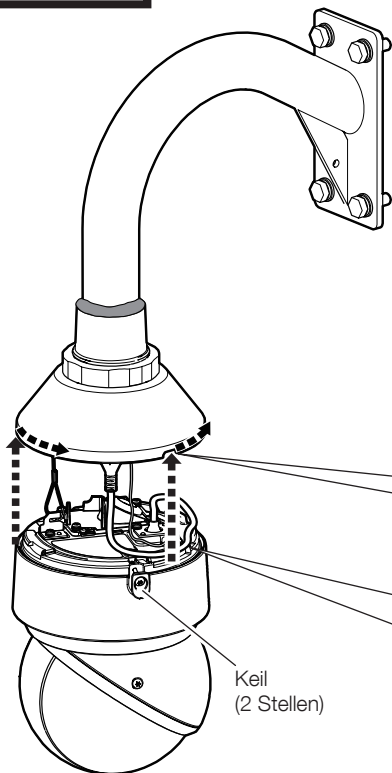


Empfohlenes Anzugsmoment:  
0,78 N·m

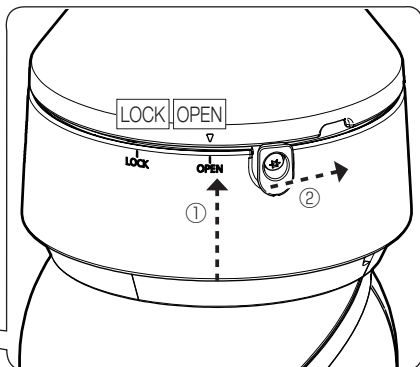
## Schritt 6



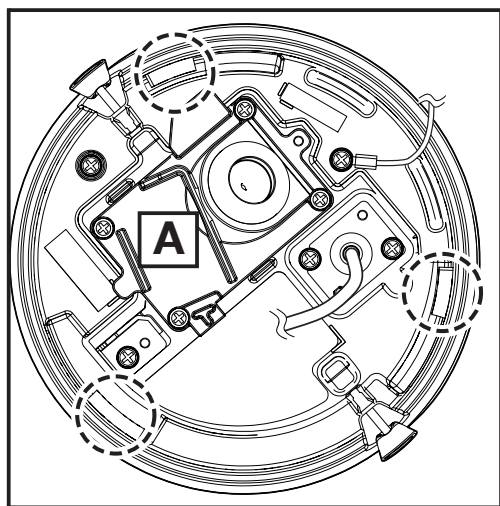
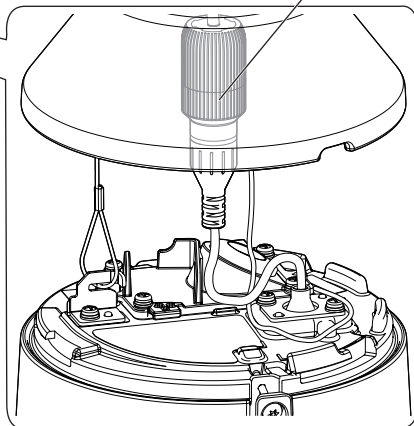
- Bevor Sie die Kamera provisorisch an der Halterung befestigen, entfernen Sie das Klebeband, mit dem der linke und rechte Keil befestigt ist, und vergewissern Sie sich, dass die Gewinde nicht eingeklemmt sind.



Keil  
(2 Stellen)



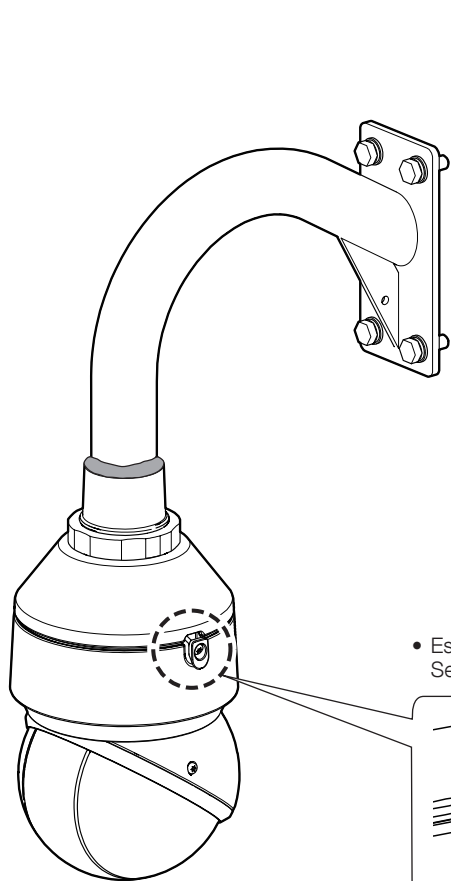
Wasserdichter RJ45-Steckverbinder  
(Zubehör)



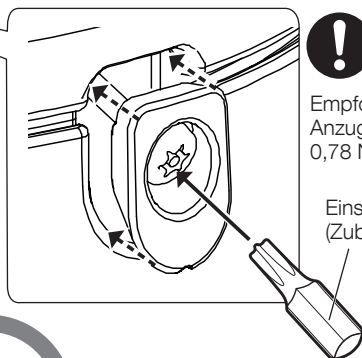
- Wenn Sie ein E/A-Kabel verwenden, legen Sie die mit wasserdichtem Band (Zubehör) umwickelten Kabel auf den Bereich **A** in der linken Abbildung.



**Siehe Web-Anleitung**

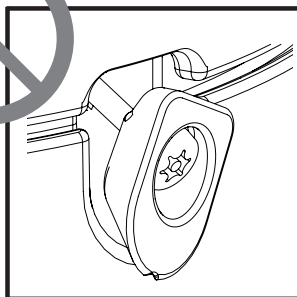
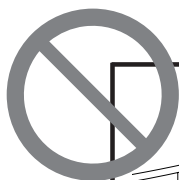


- Es gibt zwei Befestigungsschrauben, eine auf der rechten Seite und eine auf der linken Seite.



Empfohlenes  
Anzugsmoment:  
0,78 N·m

Einsatz  
(Zubehör)

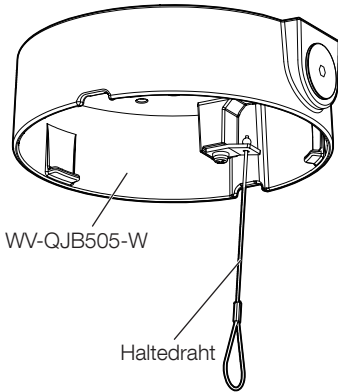


**Typ 2 Lackierung**

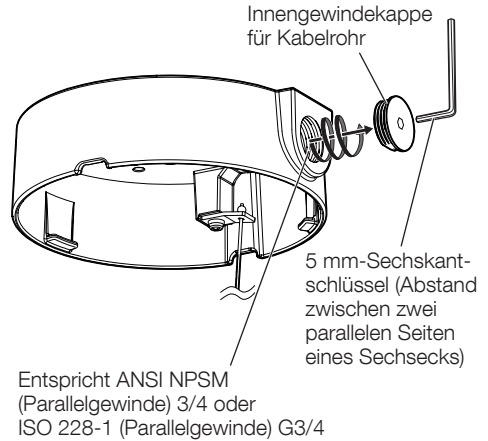
# Installations Typ 3

## Schritt 2

<Bei Verkabelung von der Decke>

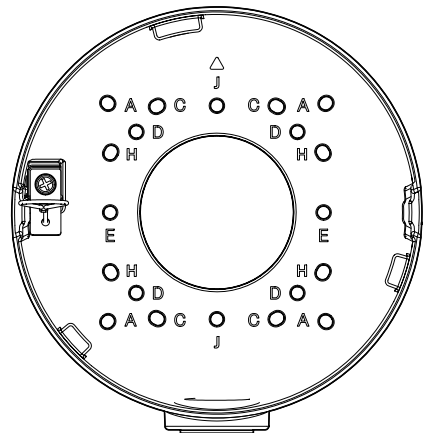


<Bei Verwendung des Kabelrohrs>



## Schritt 3

Diese Platte kann je nach Beschaffenheit der Installationsfläche an den folgenden sechs Schraubenpositionen befestigt werden. Verwenden Sie dieselben Befestigungslöcher von A bis J.

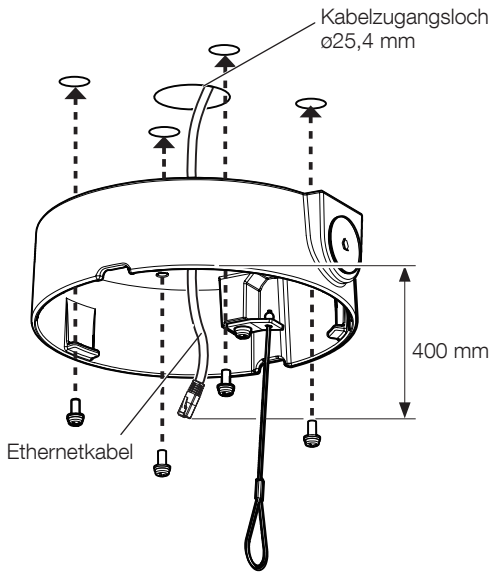


\* Beim Einbau in einen einzelnen Schaltkasten sind zwei Befestigungsschrauben (M4: vor Ort beschafft) zu verwenden.

	Länge	Breite
A	85 mm (85,7 mm)	85 mm (85,7 mm)
C	83,5 mm (83,3 mm)	46 mm (47,6 mm)
D	63 mm	63 mm
E*	-	83,5 mm
H	46 mm (47,6 mm)	83,5 mm (83,3 mm)
J*	83,5 mm	-

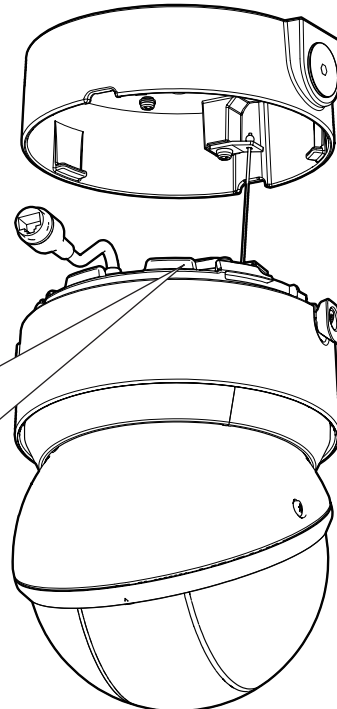
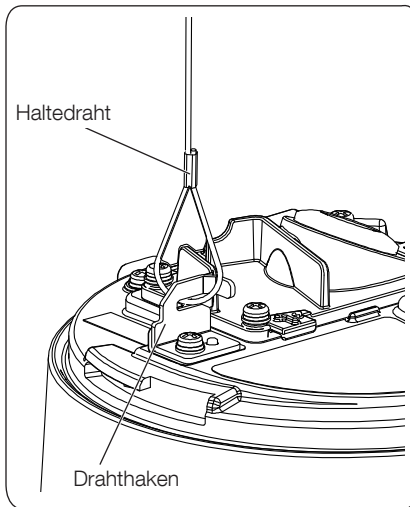
## Schritt 3

(Fortsetzung)



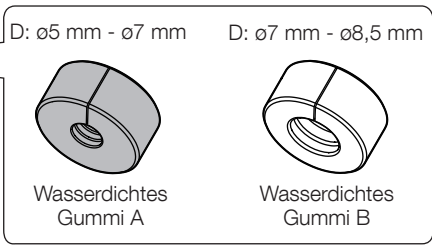
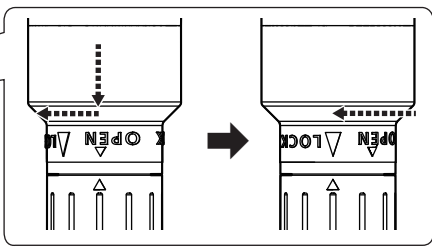
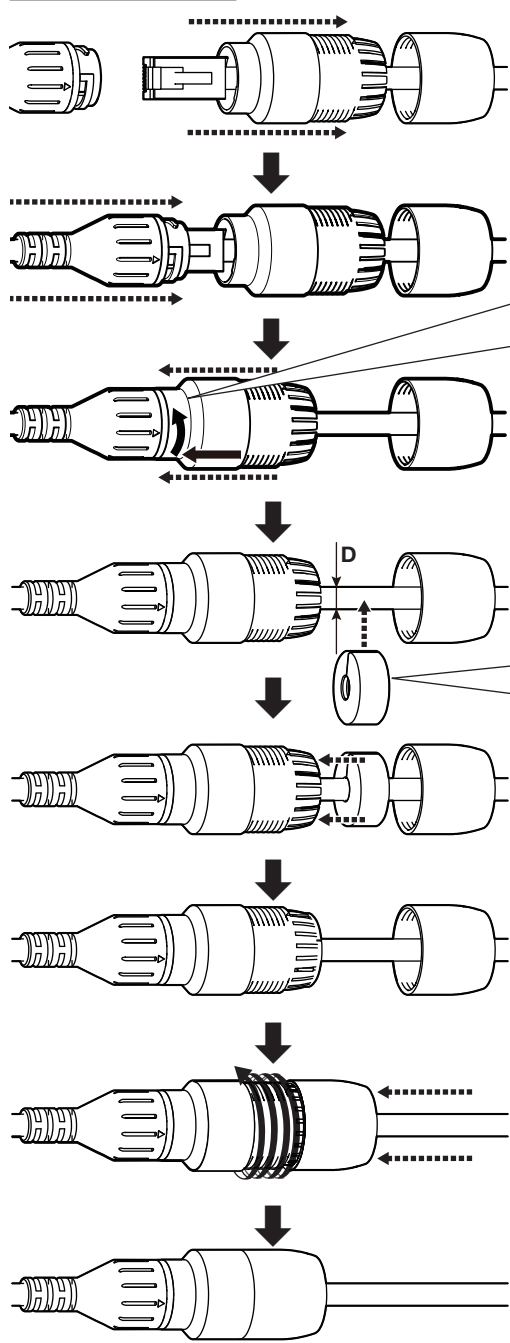
Befestigungsschraube (4 St.)  
(M4: vor Ort zu beschaffen)  
Mindestausreißfestigkeit:  
196 N/pro 1 St.

## Schritt 4



# Schritt 5

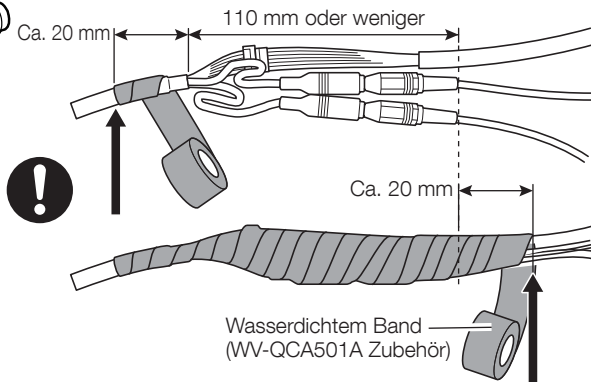
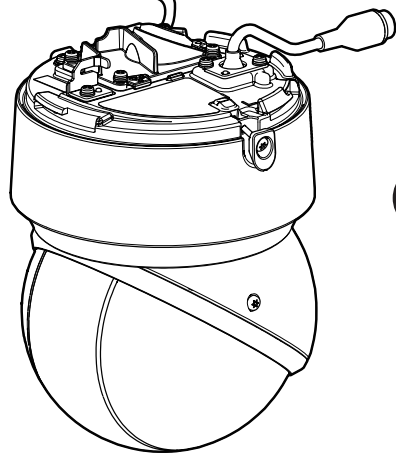
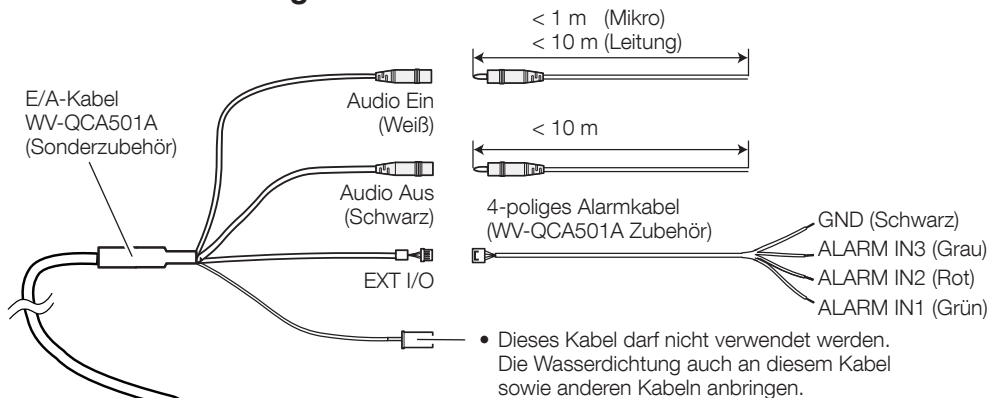
## ■ wasserdichter RJ45-Steckerverbinder



\* Verstärken Sie bei Bedarf die Abdichtung mit wasserdichtem Band (Zubehör). Bitte beachten Sie, dass die Verwendung von wasserdichtem Band die Verkabelung erschweren kann.

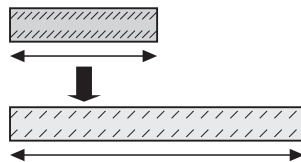
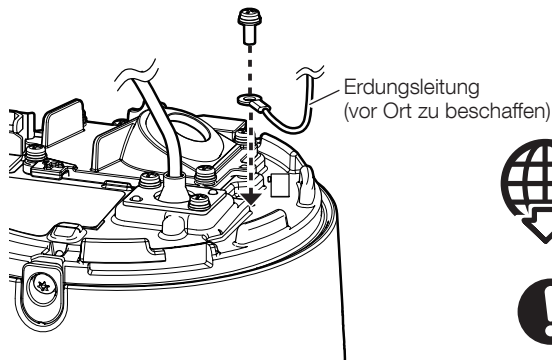
# Schritt 6

## Bei Verwendung eines E/A-Kabels



Das wasserdichte Band auf etwa die doppelte Länge dehnen, die verwendet werden soll.

## Erdungsleitung



Website für technische Informationen  
"Countermeasure for Lightning Surge"  
<Kontroll-Nr.: C0121>

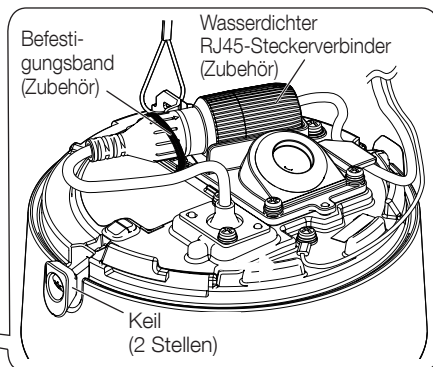


Empfohlenes Anzugsmoment:  
0,78 N·m

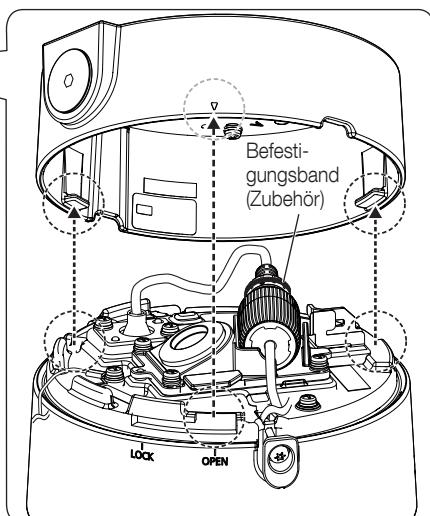
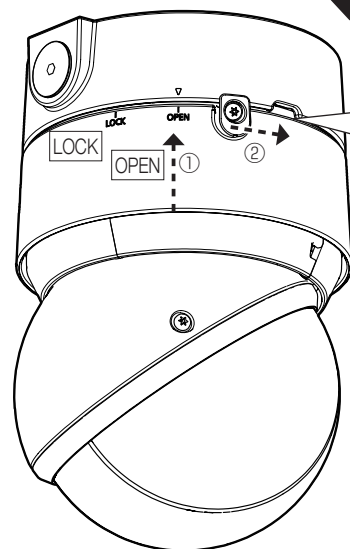
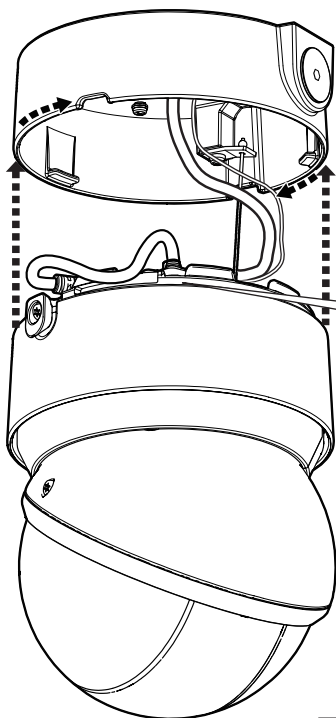
## Schritt 7



- Bevor Sie die Kamera provisorisch an der Halterung befestigen, entfernen Sie das Klebeband, mit dem der linke und rechte Keil befestigt ist, und vergewissern Sie sich, dass die Gewinde nicht eingeklemmt sind.



- Befestigen Sie den wasserdichten RJ45-Steckverbinder (Zubehör) mit dem Befestigungsband (Zubehör) in der vorgegebenen Position an der Kabelabdeckung.

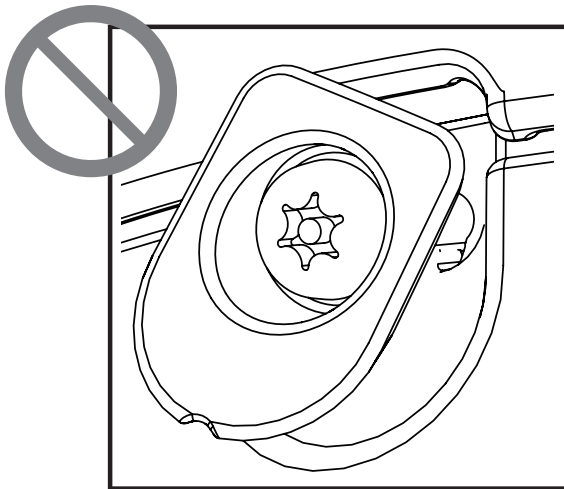
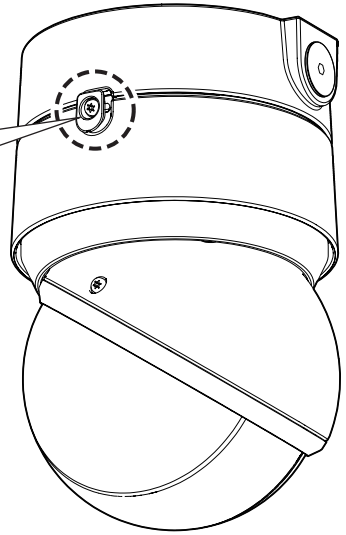
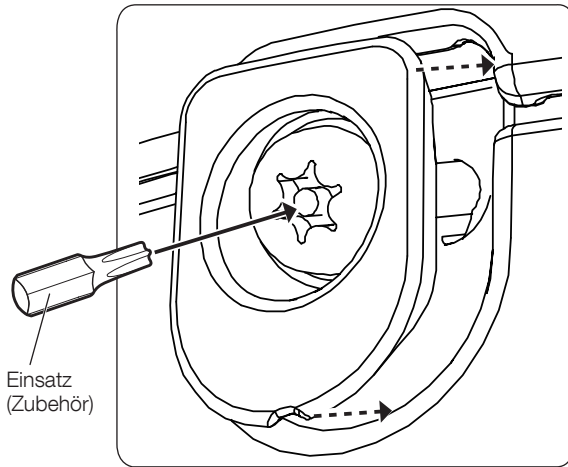


## Schritt 8



Empfohlenes Anzugsmoment:  
0,78 N·m

- Es gibt zwei Befestigungsschrauben, eine auf der rechten Seite und eine auf der linken Seite.



**Typ 3 Lackierung**

## Guida all'installazione

Istruzioni di installazione incluse

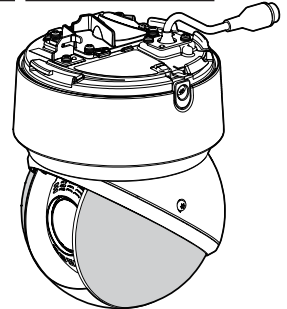
## Telecamera di rete

Esclusivamente per uso professionale

Uso esterno

N. modello Serie WV-S66700  
Serie WV-S66600  
Serie WV-S66300  
Serie WV-X66700  
Serie WV-X66600  
Serie WV-X66300

(Serie WV-X66x00: Elevata resistenza ai danni da sali)



WV-S66700-Z3LN

- I numeri dei modelli trattati in questo manuale sono descritti a pagina 107.

### Riguardo ai manuali dell'utente

La documentazione del prodotto è costituita dai seguenti documenti.

- **Guida all'installazione (questo documento):** Fornisce informazioni su "Precauzioni", "Precauzioni per l'installazione" e metodo di installazione.
- **Guida web (fare riferimento al link sul seguente sito web con le informazioni sul prodotto):** Include video sull'installazione, funzioni di base e metodi operativi di base per questo dispositivo.
- **User manual (Soltanto inglese) (fare riferimento al link sul seguente sito web con le informazioni sul prodotto):** Questa sezione descrive le istruzioni per l'uso del software comuni a ciascun modello.  
[https://i-pro.com/products\\_and\\_solutions/en/surveillance/documentation-database](https://i-pro.com/products_and_solutions/en/surveillance/documentation-database)



"<Control No.: C\*\*\*\*>" usato in questi documenti dovrebbe essere utilizzato per la ricerca di informazioni sul nostro sito web di informazioni tecniche ([https://i-pro.com/products\\_and\\_solutions/en/surveillance/learning-and-support/knowledge-base/technical-information](https://i-pro.com/products_and_solutions/en/surveillance/learning-and-support/knowledge-base/technical-information)) e condurrà alla corretta informazione.

- Prima di provare a collegare o utilizzare questo prodotto, leggere attentamente queste istruzioni e conservare l'opuscolo "Important Safety Instructions" per un uso futuro.
- La scheda di memoria microSDXC/ microSDHC/ microSD è indicata come scheda di memoria microSD.
- L'aspetto esterno ed altre parti illustrate in questo manuale possono differire dal prodotto effettivo, negli ambiti in cui questo non interferisce con l'utilizzo regolare, a causa di miglioramenti del prodotto.



i-PRO Co., Ltd.

Tokyo, Japan

<https://www.i-pro.com/>

Authorised Representative in EU:  
i-PRO EMEA B.V.  
Laarderhoogtweg 25, 1101 EB  
Amsterdam, Netherlands

i-PRO EMEA B.V. UK Branch  
1010 Cambourne Business Park,  
Cambridgeshire CB23 6DP



• Il presente manuale descrive i seguenti modelli.

■ **Modelli normali:**

Serie WV-S66700 (WV-S66700-Z3LN<sup>\*1\*3</sup>, WV-S66700-Z3N<sup>\*1\*4</sup>, WV-S66700-Z3L<sup>\*2\*3</sup>, e WV-S66700-Z3<sup>\*2\*4</sup>)

Serie WV-S66600 (WV-S66600-Z3LN<sup>\*1\*3</sup>, WV-S66600-Z3N<sup>\*1\*4</sup>, WV-S66600-Z3L<sup>\*2\*3</sup>, e WV-S66600-Z3<sup>\*2\*4</sup>)

Serie WV-S66300 (WV-S66300-Z4LN<sup>\*1\*3</sup>, WV-S66300-Z3LN<sup>\*1\*3</sup>, WV-S66300-Z4N<sup>\*1\*4</sup>, WV-S66300-Z3N<sup>\*1\*4</sup>, WV-S66300-Z4L<sup>\*2\*3</sup>, WV-S66300-Z3L<sup>\*2\*3</sup>, WV-S66300-Z4<sup>\*2\*4</sup>, e WV-S66300-Z3<sup>\*2\*4</sup>)

■ **Modelli con elevata resistenza ai danni da sali (serie WV-X66x00)**

Serie WV-X66700 (WV-X66700-Z3LK<sup>\*1\*3</sup>, WV-X66700-Z3K<sup>\*1\*4</sup>, WV-X66700-Z3LS<sup>\*2\*3</sup>, e WV-X66700-Z3S<sup>\*2\*4</sup>)

Serie WV-X66600 (WV-X66600-Z3LK<sup>\*1\*3</sup>, WV-X66600-Z3K<sup>\*1\*4</sup>, WV-X66600-Z3LS<sup>\*2\*3</sup>, e WV-X66600-Z3S<sup>\*2\*4</sup>)

Serie WV-X66300 (WV-X66300-Z4LK<sup>\*1\*3</sup>, WV-X66300-Z3LK<sup>\*1\*3</sup>, WV-X66300-Z4K<sup>\*1\*4</sup>, WV-X66300-Z3K<sup>\*1\*4</sup>, WV-X66300-Z4LS<sup>\*2\*3</sup>, WV-X66300-Z3LS<sup>\*2\*3</sup>, WV-X66300-Z4S<sup>\*2\*4</sup>, e WV-X66300-Z3S<sup>\*2\*4</sup>)

\*1 Modello con rivestimento ClearSight

\*2 Modello senza rivestimento ClearSight

\*3 Modello con luce IR LED

\*4 Modello senza luce IR LED

## Smaltimento di vecchie apparecchiature e batterie usate

### Solo per Unione Europea e Nazioni con sistemi di raccolta e smaltimento



Questi simboli sui prodotti, sull'imballaggio e/o sulle documentazioni o manuali accompagnanti i prodotti indicano che i prodotti elettrici, elettronici e le batterie usate non devono essere smaltiti come rifiuti urbani ma deve essere effettuata una raccolta separata.

Per un trattamento adeguato, recupero e riciclaggio di vecchi prodotti e batterie usate vi invitiamo a consegnarli agli appositi punti di raccolta secondo la legislazione vigente nel vostro paese.

Con uno smaltimento corretto, contribuirete a salvare importanti risorse e ad evitare i potenziali effetti negativi sulla salute umana e sull'ambiente.

Per ulteriori informazioni su raccolta e riciclaggio, vi invitiamo a contattare il vostro comune.

Lo smaltimento non corretto di questi rifiuti potrebbe comportare sanzioni in accordo con la legislazione nazionale.



#### Note per il simbolo batterie (simbolo sotto)

Questo simbolo può essere usato in combinazione con un simbolo chimico. In questo caso è conforme ai requisiti indicati dalla Direttiva per il prodotto chimico in questione.

## AVVERTENZA:

- Il funzionamento di questo prodotto in un ambiente residenziale potrebbe causare interferenze radio.

## Precauzione:

- L'alimentatore CC collegato alla telecamera deve trovarsi nello stesso edificio.
- La telecamera di rete è progettata per il collegamento ad una rete Ethernet o PoE senza instradamento sull'impianto esterno.
- Questo prodotto non ha un interruttore di alimentazione. Assicurarsi di installare dispositivi di disconnessione quali un interruttore automatico per arrestare l'alimentazione principale dell'apparecchiatura che fornisce alimentazione a questo prodotto.
- Prima di tentare di collegare o utilizzare questo prodotto, si prega di leggere attentamente queste istruzioni.

## Avviso:

- Questo prodotto non è adatto all'impiego in posizioni dove è probabile la presenza di bambini.
- Non installare questo prodotto in luoghi in cui chiunque possa avere facile accesso.
- Questo prodotto è un'apparecchiatura professionale.
- Per informazioni sulle viti e sulle altre parti necessarie per l'installazione, fare riferimento alla sezione corrispondente del presente documento.



☐☐☐☐ : Simbolo di corrente continua

☠ : Precauzione, radiazione infrarossa

## Precauzioni

Spiegano quali disposizioni osservare obbligatoriamente per evitare lesioni alle persone e danni materiali. Le dichiarazioni sulla sicurezza comuni a tutti i modelli di telecamera di rete i-PRO sono pubblicate sul sito web accessibile dal codice a barre bidimensionale sulla destra.

Non esitare a consultarle.

[https://i-pro.com/products\\_and\\_solutions/en/surveillance/learning-and-support/knowledge-base/safety-instructions](https://i-pro.com/products_and_solutions/en/surveillance/learning-and-support/knowledge-base/safety-instructions)



### ■ Non installare questo prodotto in un ambiente soggetto a restrizione o divieto.

In caso contrario, si potrebbero causare lesioni, incidenti o malfunzionamenti dovuti a cadute.

Verificare le precauzioni per la sicurezza comuni a tutti i modelli sul sito web di cui sopra e le precauzioni per l'installazione nella Guida all'installazione.

### ■ Rivolgersi al rivenditore per i lavori di installazione.

I lavori di installazione richiedono tecnica ed esperienza. La mancata osservanza di questa precauzione può causare incendi, scosse elettriche, ferite o danni al prodotto. Non esitare a rivolgersi al rivenditore.

### ■ Installare il prodotto con precisione e in modo sicuro su una superficie di installazione in conformità con le istruzioni di installazione.

La mancata osservanza di questa precauzione può causare ferite o incidenti.

### ■ Adottare misure di protezione per evitare la caduta di questo prodotto.

La mancata osservanza di questa precauzione può causare una caduta e provocare ferite.

Fissare saldamente il prodotto alla superficie di installazione utilizzando viti o ancoraggi. Accertarsi di installare il cavo anticaduta, se incluso.

### ■ Interrompere immediatamente l'utilizzo se si verifica qualcosa di anomalo con questo prodotto.

Quando fuoriesce fumo dal prodotto, proviene odore di fumo dal prodotto o la parte esterna del prodotto si è deteriorata, l'utilizzo continuo causerà un incendio o una caduta del prodotto provocando ferite o danni alla proprietà.

In questo caso, spegnerlo immediatamente e rivolgersi a personale di assistenza qualificato per la riparazione.

### ■ Eseguire ispezioni periodiche.

La ruggine sulle parti metalliche o sulle viti può causare la caduta del prodotto e provocare ferite o incidenti.

Rivolgersi al rivenditore per le ispezioni.

Spegnere l'unità prima di qualunque ispezione o intervento di manutenzione.

## Precauzioni per l'installazione

**i-PRO Co., Ltd. non potrà essere considerata responsabile per danni patrimoniali e/o non patrimoniali a cose e/o persone derivanti da installazione o funzionamento eseguiti in modo non conforme al presente documento.**

■ **Al fine di prevenire ferite, questo prodotto deve essere montato saldamente su una staffa di montaggio in conformità con la Guida all'installazione.**

■ **Area di installazione di questo prodotto**

Selezionare una posizione adeguata come area di installazione (come una superficie di installazione robusta) nel proprio ambiente specifico.

- Accertarsi che l'area di installazione sia sufficientemente robusta per sostenere questo prodotto, come un soffitto di cemento.
- Installare la telecamera in una parte della fondazione della costruzione o dove è assicurata una sufficiente robustezza.
- Non montare il prodotto su un pannello di cartongesso o su una superficie di legno in quanto sono troppo deboli. Se non è possibile evitare il montaggio del prodotto su una superficie di questo tipo, la superficie deve essere sufficientemente rinforzata.
- Alla telecamera è stato applicato un trattamento per un'elevata resistenza ai danni da sali, tuttavia questo non garantisce una completa resistenza contro la corrosione. Prestare attenzione alla posizione di installazione, come ad esempio luoghi che non vengono spruzzati direttamente dall'acqua di mare. Predisporre un trattamento per un'elevata resistenza ai danni da sali per le fondamenta del sito di installazione e i supporti di installazione, quali i pali di montaggio. <Serie WV-X66700> <Serie WV-X66600> <Serie WV-X66300>

■ **Metodo di montaggio di questo prodotto.**

Questo prodotto è stato progettato per essere utilizzato come telecamera a montaggio sospeso. Se il prodotto viene montato su un piano di lavoro o inclinato, può non funzionare correttamente e la sua durata di vita può accorciarsi.

■ **Non collocare questo prodotto nelle seguenti posizioni:**

- Posizioni dove viene utilizzato un agente chimico quali una piscina
- Posizioni soggette ad umidità o fumi oleosi quali una cucina
- Posizioni in ambienti specifici soggetti ad un'atmosfera infiammabile o a solventi
- Posizioni dove vengono generate radiazioni, raggi X, forti onde radio o un forte campo magnetico
- Posizioni in prossimità delle coste sottoposte direttamente alla brezza di mare, <Serie WV-S66700> <Serie WV-S66600> <Serie WV-S66300> o posizioni soggette a gas corrosivi come da sorgenti termali, regioni vulcaniche, etc.
- Posizioni dove la temperatura non è compresa nel range specificato
- Posizioni soggette a vibrazioni, come su veicoli, natanti, linee di produzione (Questo prodotto non è progettato per l'utilizzo su veicoli.)
- Posizioni soggette a condensazione risultante da cambiamenti drastici di temperatura come in prossimità di unità esterne di condizionatori d'aria.
- Posizioni vicine a prodotti in gomma contenenti zolfo (guarnizioni, piedini in gomma, etc.)

■ **Avvitamento delle viti**

Non utilizzare un avvitatore ad impatto. L'utilizzo di un avvitatore ad impatto può danneggiare le viti o causare un avvitamento eccessivo.

■ **Riguardo alla riflessione della luce dall'esterno o di luce IR**

Immagini fantasma possono apparire sullo schermo a seconda dell'angolo di incidenza della luce esterna. In caso di luce IR, l'installazione di una telecamera in prossimità di una parete potrebbe causare la riflessione dei raggi infrarossi che avrà come risultato il far diventare biancastro tutto o una parte dello schermo.

- Far riferimento al nostro sito web di informazioni tecniche <Control No.: C0109> per esempi di immagini e misure da adottare.

■ **Prestare attenzione all'umidità**

Installare questo prodotto quando l'umidità è bassa. Se l'installazione viene eseguita quando piove o in condizioni di elevata umidità, l'interno potrebbe risentire dell'umidità, causando l'annebbiamento dell'interno del coperchio a cupola.

### ■ Protezione contro i fulmini

Quando si utilizzano i cavi all'esterno, esiste la possibilità che possano essere colpiti da fulmini. In tal caso, installare un parafulmine vicino alla telecamera e fare in modo che la lunghezza del cavo di rete tra la telecamera e il parafulmine sia più ridotta possibile per prevenire che la telecamera venga colpita dai fulmini. Far riferimento al nostro sito web di informazioni tecniche <Control No.: C0121>

### ■ Quando si può verificare interferenza/disturbo

Può apparire rumore nel video o nell'audio nei pressi di un forte campo elettrico proveniente da un'antenna TV o radio, motori e trasformatori, o un forte campo elettrico/campo magnetico da una linea di alimentazione (linea di illuminazione) di 100 V CA o superiore. Eseguire i lavori di distribuzione dell'alimentazione in modo da mantenerla a una distanza di 1 m o eseguire i lavori per il condotto elettrico utilizzando tubi metallici. (Assicurarsi di effettuare il collegamento a terra dei tubi metallici.)

### ■ Etichetta di indicazione della classificazione e dell'alimentazione dell'apparecchiatura

Far riferimento all'etichetta di indicazione sulla parte inferiore di questa unità per la classificazione, l'alimentazione dell'apparecchiatura ed altre informazioni.

### ■ Riguardo all'elettricità statica

Prima di installare o rimuovere questo prodotto, accertarsi di toccare oggetti metallici per scaricare l'elettricità statica dal proprio corpo.

## Dati tecnici

Alimentazione*1:	<p><b>&lt;Tutti i modelli&gt;</b>            PoE++ (conforme a IEEE802.3bt)  <b>&lt;Serie WV-S66300&gt; &lt;Serie WV-X66300&gt;</b>            PoE+ (conforme a IEEE802.3at)*2</p>
Consumo di potenza*1:	<p><b>&lt;Modello con luce IR LED&gt;</b>            PoE++ 54 V CC: 850 mA / circa 45,9 W (Dispositivo classe 6)            PoE+ 54 V CC*2: 470 mA / circa 25,4 W (Dispositivo classe 4)  <b>&lt;Modello senza luce IR LED&gt;</b>            PoE++ 54 V CC: 700 mA / circa 37,8 W (Dispositivo classe 6)            PoE+ 54 V CC*2: 320 mA / circa 17,3 W (Dispositivo classe 4)</p>
Ambiente di funzionamento Temperatura ambiente di funzionamento:	<p><b>PoE++</b>            Da -50 °C a +60 °C*3            (Range di accensione: Da -30 °C a +60 °C)  <b>PoE+*2</b>            Da -20 °C a +60 °C*3</p>
Umidità ambiente di funzionamento:	Dal 10 % al 100 % (senza condensazione)
Ambiente di stoccaggio Temperatura di stoccaggio: Umidità di stoccaggio:	<p>Da -30 °C a +60 °C            Dal 10 % al 95 % (senza condensazione)</p>
Impermeabilizzazione*4:	IP66 (IEC 60529), Tipo 4X (UL50E), conforme a NEMA 4X
Resistenza agli urti:	IK10 (IEC 62262)
Resistenza al vento:	Fino a 40 m/s
Dimensioni:	<p>Diametro massimo: ø167 mm × 205 mm (A)            Raggio della cupola: 77.5 mm            (esclusi le parti di montaggio e di sporgenza)</p>
Peso:	<p>Circa 3 kg            (escluse le parti di fissaggio)</p>
Finitura:	<p><b>Corpo principale:</b> Alluminio pressofuso, i-PRO bianco/nero            (Rivestimento con elevata resistenza ai danni da sali)  <b>&lt;Serie WV-X66700&gt; &lt;Serie WV-X66600&gt;</b>  <b>&lt;Serie WV-X66300&gt;</b>            Resina PC, nero</p> <p><b>Viti di fissaggio esterne:</b> Acciaio inossidabile            (trattamento anticorrosione)</p> <p><b>Coperchio a cupola:</b> Resina PC, trasparente (con rivestimento ClearSight*5)</p>
Altro:	<p>Involucro a prova di manomissione*6            conforme a NEMA TS2            Temperatura massima secondo NEMA TS 2 (2.2.7): 74 °C</p>

\*1 Far riferimento al nostro sito web di informazioni tecniche <Control No.: C0106> per ulteriori informazioni su alimentazione e consumo di potenza.

\*2 L'alimentazione PoE+ è supportata dalla versione software 3.65 o successiva. Quando si utilizza l'alimentazione PoE+, la funzione di riscaldamento è sempre disattivata e la velocità di panoramica/ inclinazione dell'obiettivo è limitata a un massimo di 90°/s.

\*3 Durante l'utilizzo con luce IR LED costantemente accesa, il limite superiore del range della temperatura di funzionamento è di +50°C.

\*4 Soltanto quando i lavori di installazione vengono eseguiti correttamente secondo la Guida all'installazione ed è applicato un adeguato trattamento di impermeabilizzazione.

\*5 Esistono modelli dotati di rivestimento ClearSight e modelli che non lo sono.

\*6 Componente che presenta una struttura sulla quale le viti che sono accessibili dopo l'installazione non possono essere avvitate o svitate utilizzando un normale cacciavite.

## Accessori opzionali



Informazioni più recenti → Sito web di informazioni tecniche “Accessory Selector”  
<Control No.: C0501>

## Correzione dei difetti di funzionamento

Prima di richiedere assistenza, fare riferimento a “Correzione dei difetti di funzionamento” nella “Guida web”.  
Quindi, confermare il problema.

## Accessori standard

Important Safety Instructions ..... 1 pz.

<p>Punta x1 (chiave esagonale, dimensione della vite 6,35 mm T20)</p>	<p>Cappuccio impermeabile del connettore RJ45 x1</p> <p>Guarnizione impermeabile A x1</p> <p>Guarnizione impermeabile B x1</p>	<p>Fascetta di fissaggio x2 (di cui 1 di scorta)</p>	
<p>Morsetto x1</p>	<p>Vite di fissaggio x2 (di cui 1 di scorta)</p>	<p>Nastro impermeabilizzante x1</p>	<p>Etichetta del rivestimento anti-pioggia x1 (soltanto il modello con rivestimento ClearSight)</p>

## Altri articoli necessari (non inclusi)

- Viti di montaggio

Metodo di installazione	Vite consigliata*1	Resistenza alla trazione minima*2
Tipo 1 WV-QSR506 (Staffa di montaggio) + WV-QCL501 (Staffa di montaggio a soffitto)	M10 x 30 mm x 4 pz.*3	1411 N
Tipo 1 WV-QSR506 (Staffa di montaggio) + WV-QWL501 (Staffa di montaggio a parete)	M10 x 30 mm x 4 pz.*3	823 N
Tipo 2 WV-QSR506F/ WV-QSR506M (Staffa di montaggio) + Staffa procuratasi localmente	Far riferimento al manuale di istruzioni di staffa procuratasi localmente.	
Tipo 3 WV-QJB505 (Staffa base)	M4 x 16 mm x 4 pz.*3	196 N
Tipo 4 WV-QEM505 (Staffa di montaggio a soffitto)	Far riferimento alla Guida all'installazione della WV-QEM505.	
Tipo 5 WV-QWL502 (Staffa di montaggio a parete)	Far riferimento alla Guida all'installazione della WV-QWL502.	

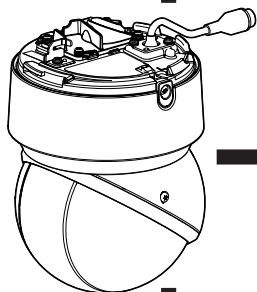
\* Fare riferimento a pagina 114 per un'illustrazione del modo in cui questo prodotto viene combinato con le staffe di montaggio da Tipo 1 a Tipo 5.

\*1 Selezionare viti adatte al materiale della posizione in cui si monterà la telecamera. In questa circostanza non si devono utilizzare viti e chiodi da legno.

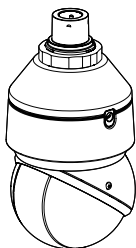
\*2 Questo valore indica il valore minimo di resistenza alla trazione richiesto per ciascuna vite. Per informazioni sulla resistenza alla trazione minima, far riferimento al nostro sito web di informazioni tecniche <Control No.: C0120>.

\*3 La lunghezza della vite è un esempio di quando si installa la telecamera su una superficie di installazione robusta con uno spessore di 20 mm o superiore.

- Cavo Ethernet con connettore RJ45 (categoria 5e o superiore, dritto, tutti e 4 i doppiini (8 pin), meno di 100 m)

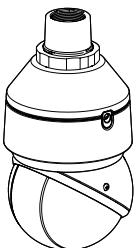


### Tipo 1



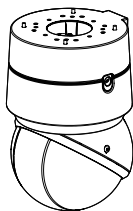
WV-QSR506-W/ WV-QSR506S-W  
⇒ pagina 115 - 121 (Preparativi)  
⇒ pagina 122

### Tipo 2



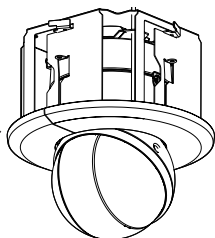
WV-QSR506M-W/ WV-QSR506M1-W  
WV-QSR506F-W/ WV-QSR506F1-W  
⇒ pagina 115 - 121 (Preparativi)  
⇒ pagina 128

### Tipo 3



WV-QJB505-W  
⇒ pagina 115 - 121 (Preparativi)  
⇒ pagina 134

### Tipo 4

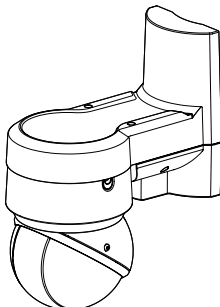


WV-QEM505-W



⇒ Guida all'installazione  
della WV-QEM505.

### Tipo 5



WV-QWL502-W



⇒ Guida all'installazione  
della WV-QWL502

# Procedura di installazione

► Vedere Guida web

## Parti e funzioni

### Nota:

Sull'anello intorno alla coperchio a cupola potrebbe essere visibile una sagoma di liquido che gocciola. Questi segni si creano quando si applica rivestimento ClearSight sulla coperchio a cupola e non compromettono le prestazioni. (soltanto il modello con rivestimento ClearSight)

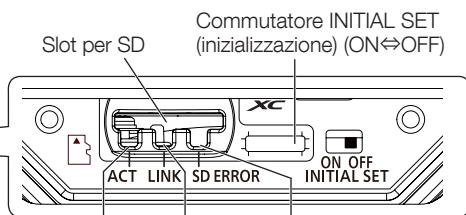
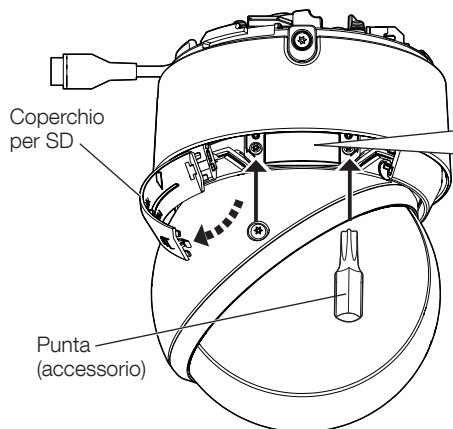
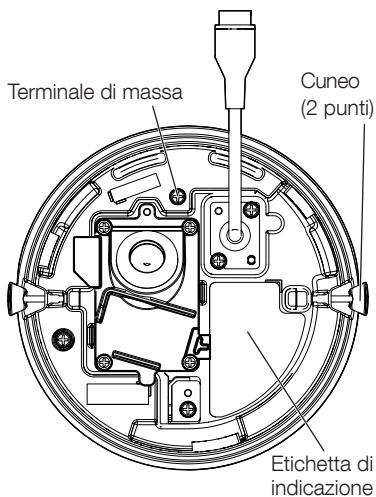
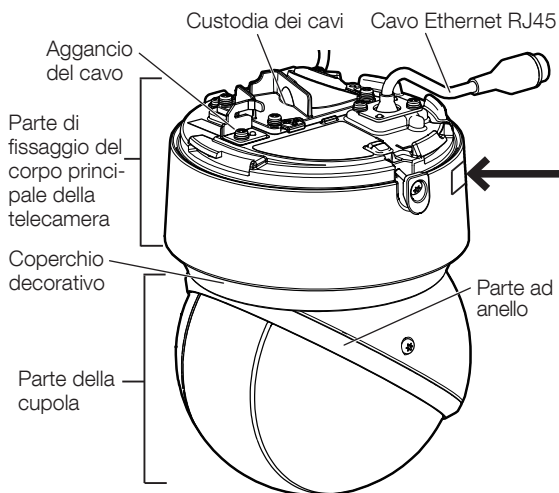
### ATTENZIONE



### GRUPPO DI RISCHIO 2

IR emessi da questo prodotto. Evitare l'esposizione degli occhi. Utilizzare una schermatura adeguata o una protezione per gli occhi.

(soltanto il modello con luce IR LED)



Indicatore ACT    Indicatore LINK    Indicatore SD ERROR



(verde)



(arancione)



(rosso)

\* Il coperchio SD è omesso nell'illustrazione sopra.



: Acceso



: Lampeggia



: Spento



• Tutti i LED si spengono  
⇒ Fare riferimento alla sezione "Indicators" nella "User manual".

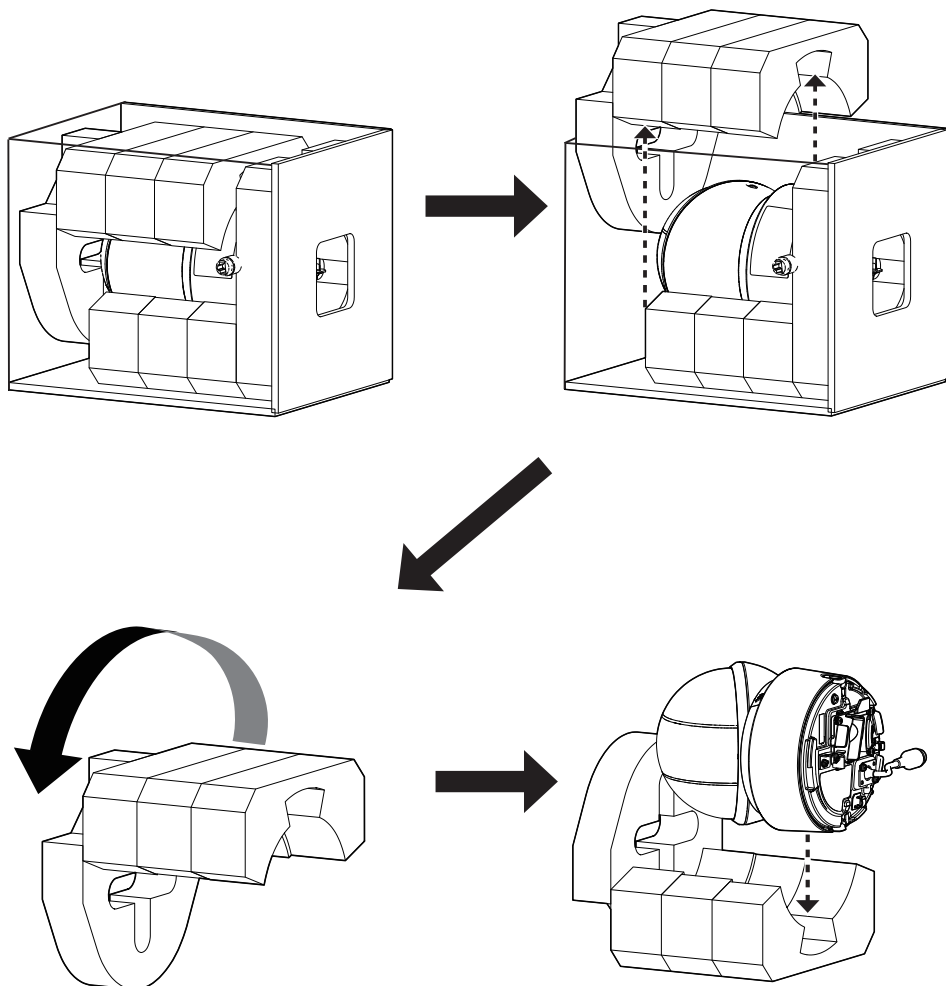
# Passaggio 1

## Preparativi

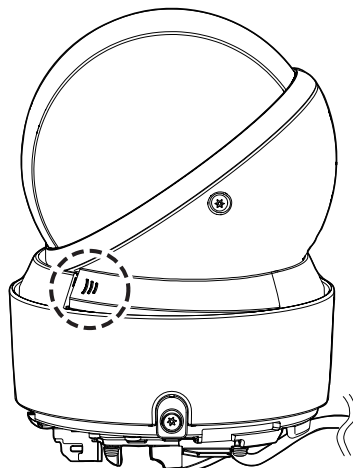
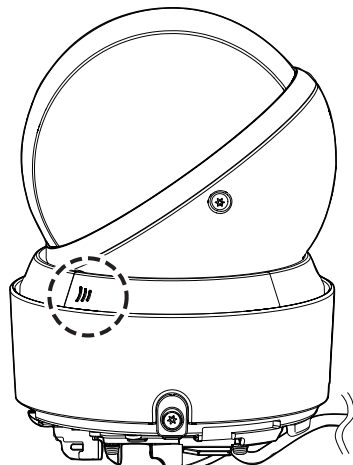
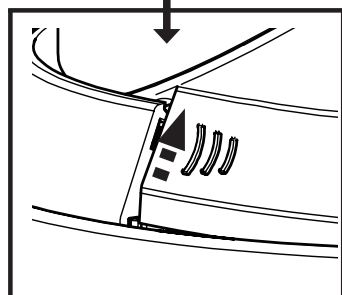
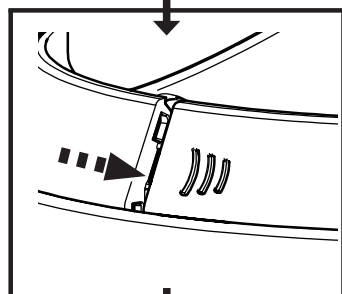
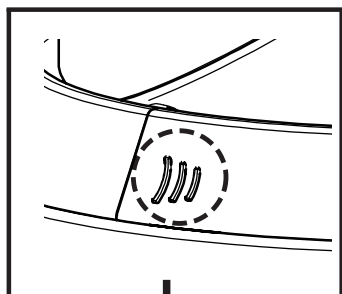
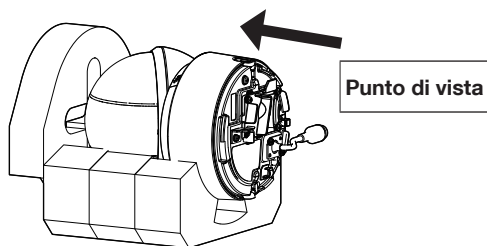
### ■ Comune

**Nota:**

L'immagine sotto illustra l'interno della scatola di imballaggio di questo prodotto.



## ■ Quando si utilizza una scheda di memoria microSD

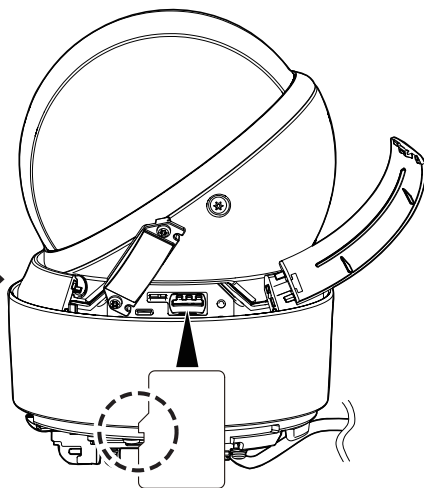
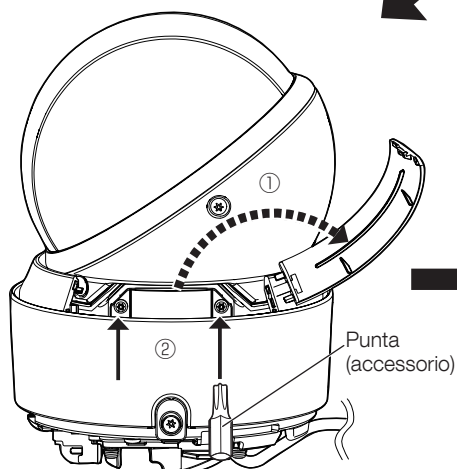
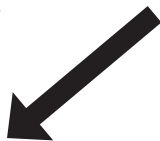
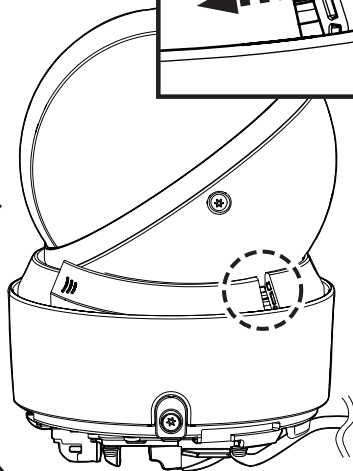
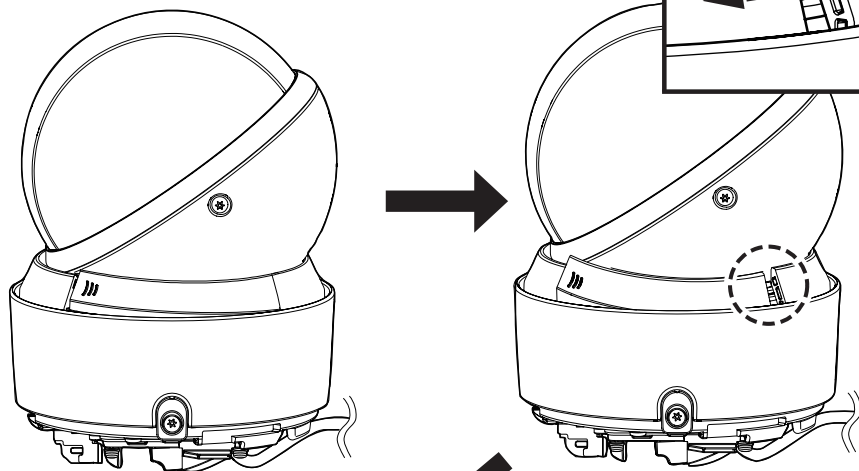
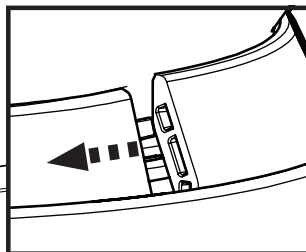


### **Nota:**

Sollevare la copertura decorativa agganciando con la punta delle dita lo spazio vuoto creato dallo scorrimento della copertura decorativa.

## ■ Quando si utilizza una scheda di memoria microSD (continuazione)

- Far scorrere la copertura decorativa verso sinistra e rimuovere il gancio sull'estremità destra.
- Inserire una scheda di memoria microSD nello slot per SD.

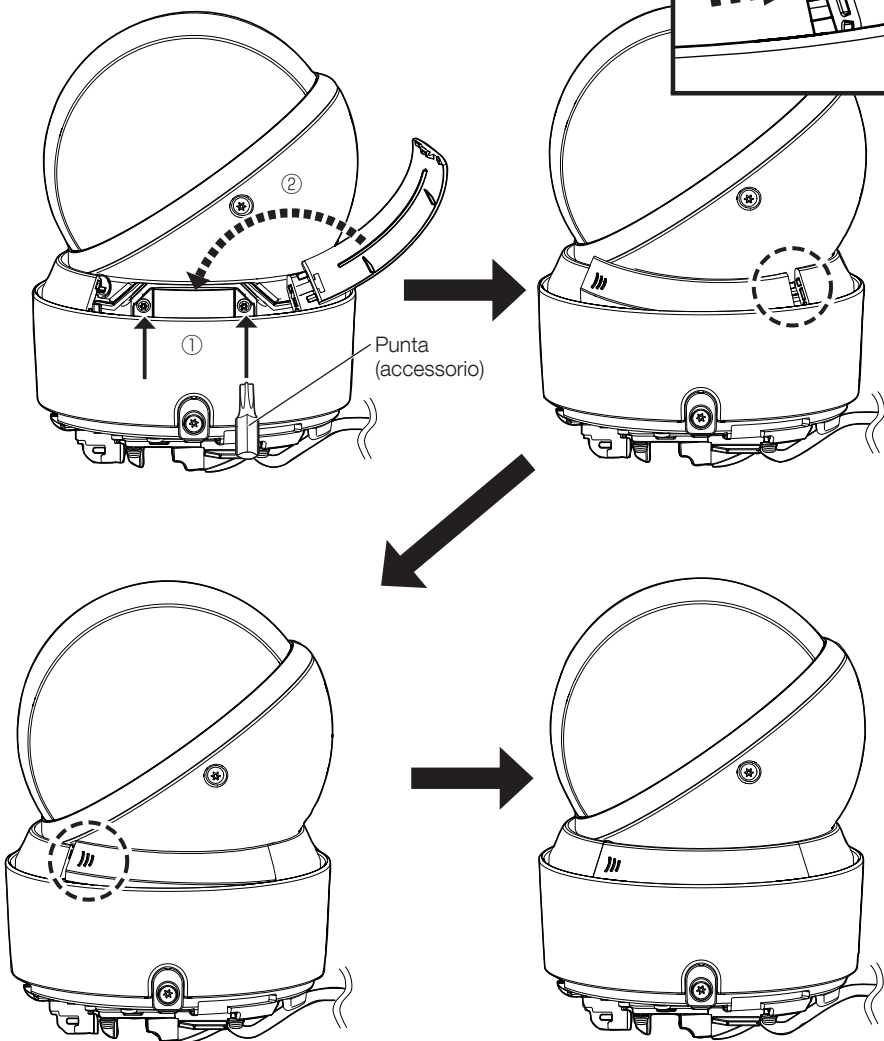


- User manual [Format]
- Utilizzare una scheda di memoria microSD dedicata alle telecamere i-PRO.

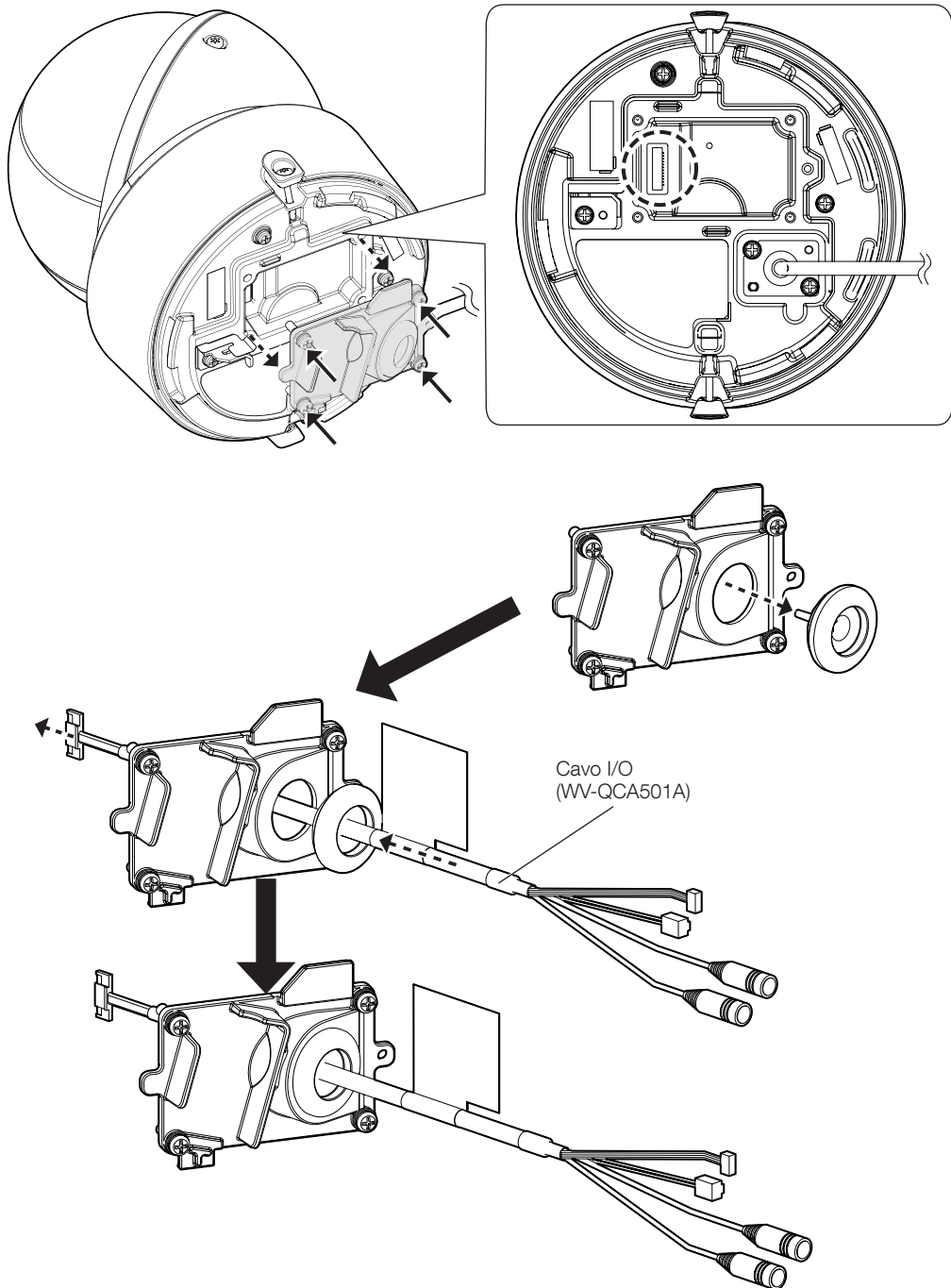
## ■ Quando si utilizza una scheda di memoria microSD (continuazione)



Coppia di torsione dell'avvitamento  
consigliata: 0,78 N·m

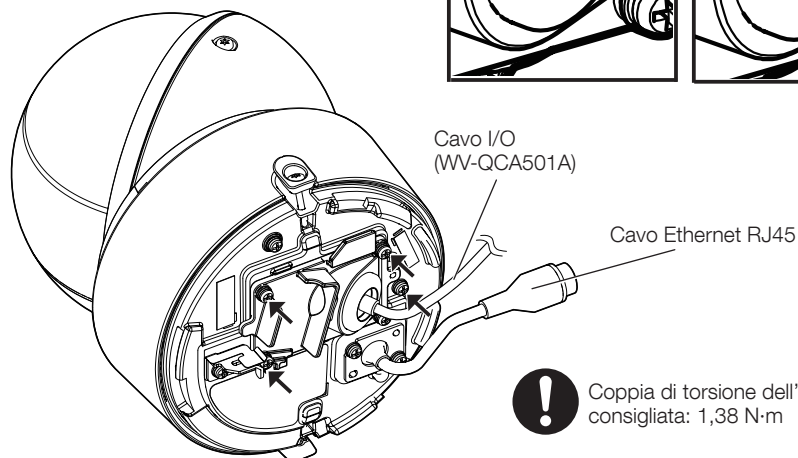
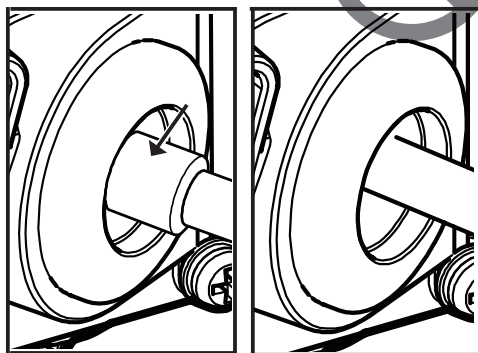
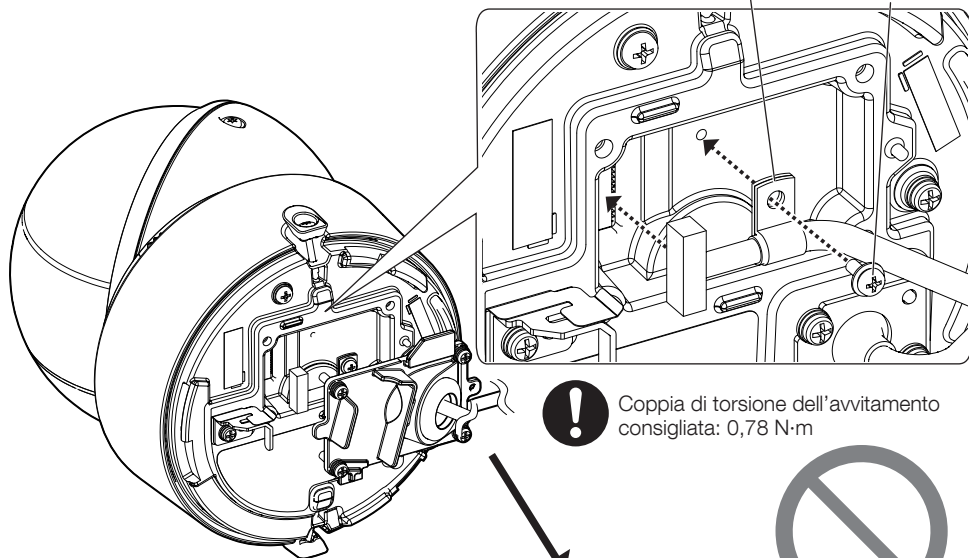


## ■ Quando si utilizza un cavo I/O (WV-QCA501A)



## ■ Quando si utilizza un cavo I/O (WV-QCA501A) (continuazione)

Morsetto  
(accessorio)      Vite di fissaggio  
(M3: accessorio)

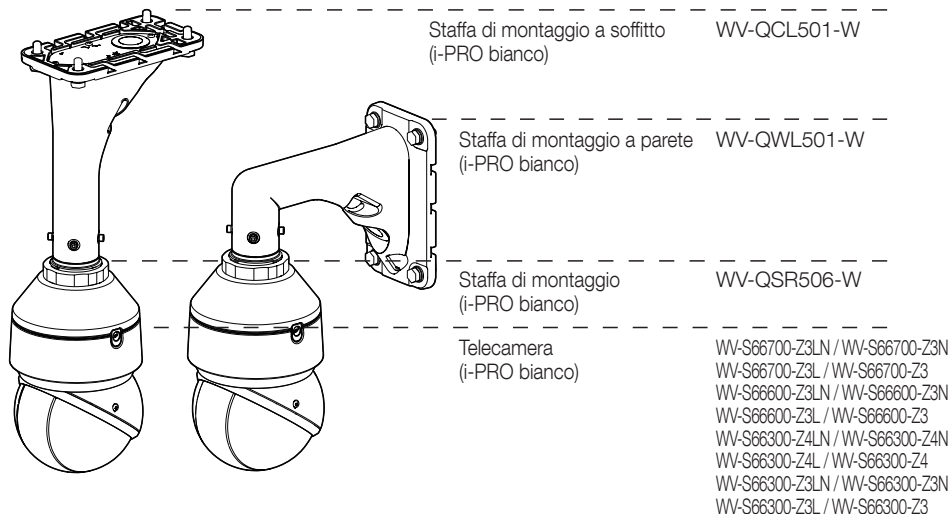


# Installazione Tipo 1

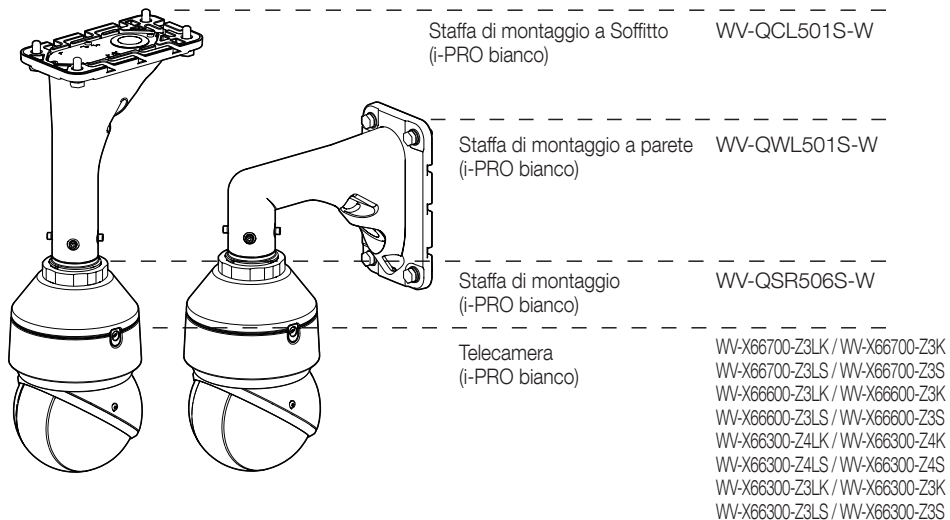
## Passaggio 2

### Controllo della combinazione di staffe

#### ■ Installazione con dati tecnici normali



#### ■ Installazione con dati tecnici di elevata resistenza ai danni da sali (Elevata resistenza ai danni da sali)



\* Quanto segue descrive un esempio di installazione di WV-QSR506 e WV-QWL501 in combinazione. In altri casi, fare riferimento al presente manuale insieme al manuale di istruzioni per le altre staffe da utilizzare.

## Passaggio 3

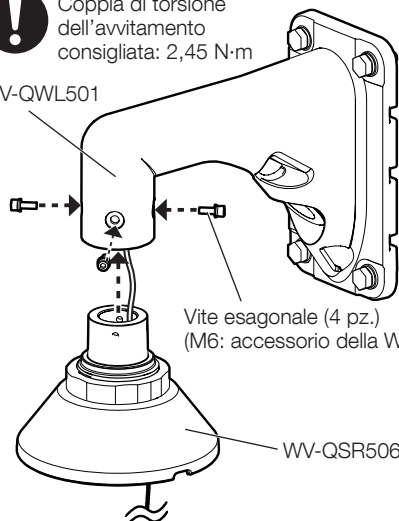
Fare riferimento al manuale di istruzioni della staffa per informazioni su come fissare WV-QWL501 alla superficie di installazione.

Alcuni dei cavi di collegamento possono essere omessi nelle illustrazioni.



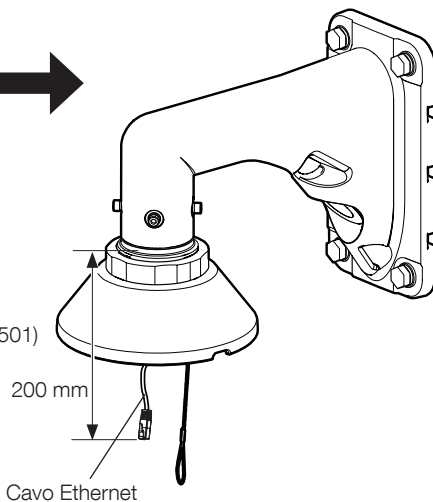
Coppia di torsione  
dell'avvitamento  
consigliata: 2,45 N·m

WV-QWL501



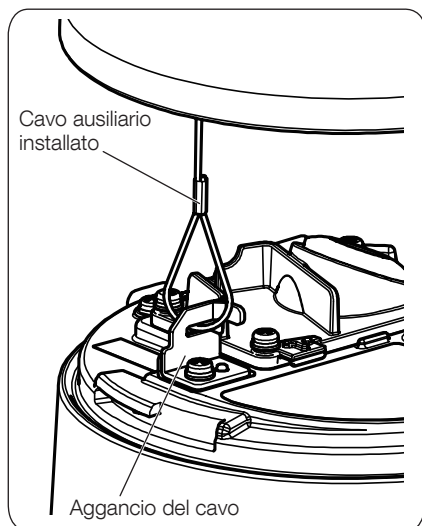
Vite esagonale (4 pz.)  
(M6: accessorio della WV-QWL501)

WV-QSR506



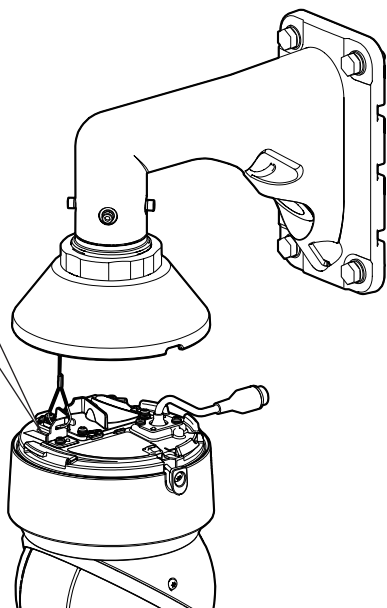
200 mm

Cavo Ethernet



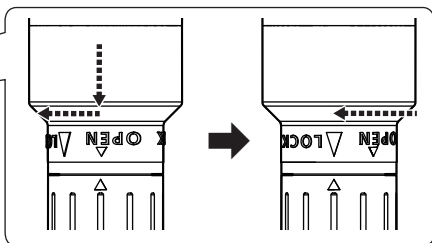
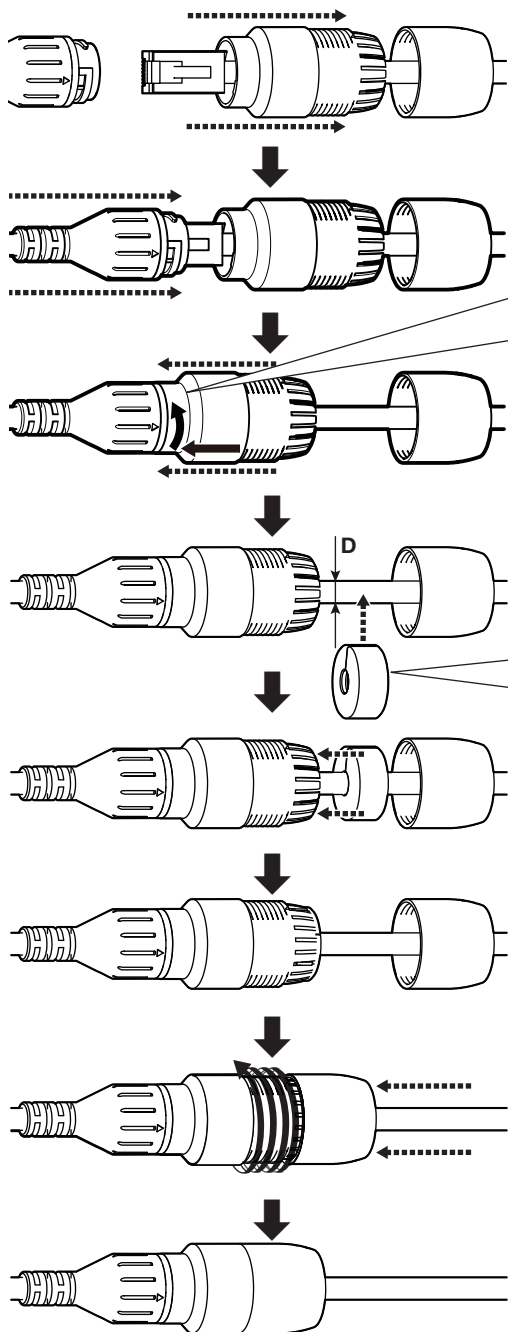
Cavo ausiliario  
installato

Aggancio del cavo



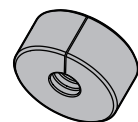
# Passaggio 4

## ■ Connettore impermeabile RJ45

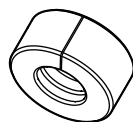


D:  $\varnothing 5 \text{ mm} - \varnothing 7 \text{ mm}$

D:  $\varnothing 7 \text{ mm} - \varnothing 8,5 \text{ mm}$



Guarnizione impermeabile A

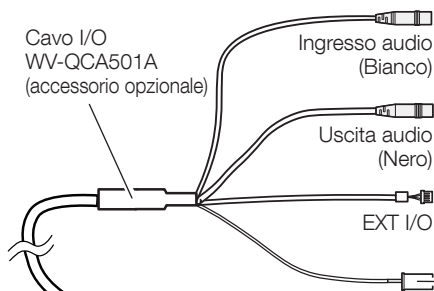


Guarnizione impermeabile B

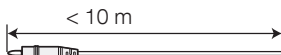
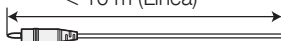
\* Se necessario, rinforzare l'impermeabilizzazione con nastro impermeabilizzante (accessorio). Tenere presente che l'utilizzo di nastro impermeabilizzante potrebbe rendere difficoltoso il cablaggio.

# Passaggio 5

## ■ Quando si utilizza un cavo I/O



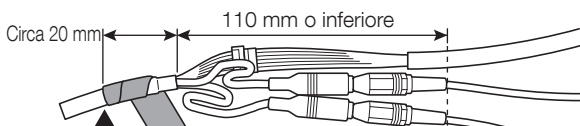
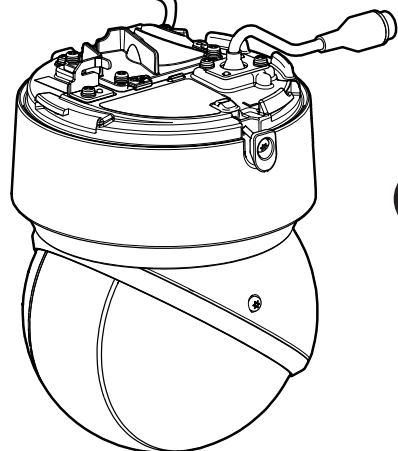
< 1 m (Microfono)  
< 10 m (Linea)



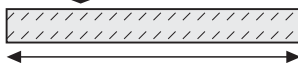
Cavo dell'allarme a 4 pin  
(Accessorio WV-QCA501A)

GND (Nero)  
ALARM IN3 (Grigio)  
ALARM IN2 (Rosso)  
ALARM IN1 (Verde)

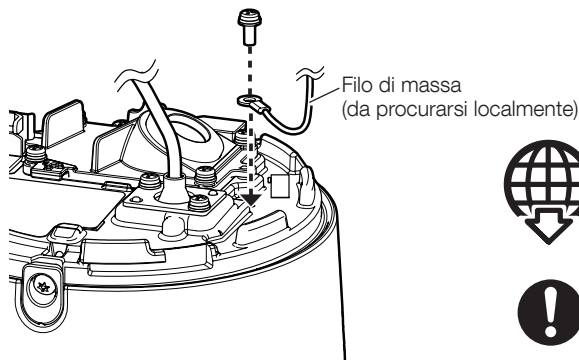
- Questo cavo non deve essere utilizzato. Applicare l'impermeabilizzazione anche a questo cavo così come agli altri cavi.



Tirare il nastro impermeabilizzante fino a raggiungere circa il doppio della lunghezza da utilizzare.



## ■ Filo di massa



Sito web di informazioni tecniche  
"Countermeasure for Lightning Surge"  
<Control No.: C0121>

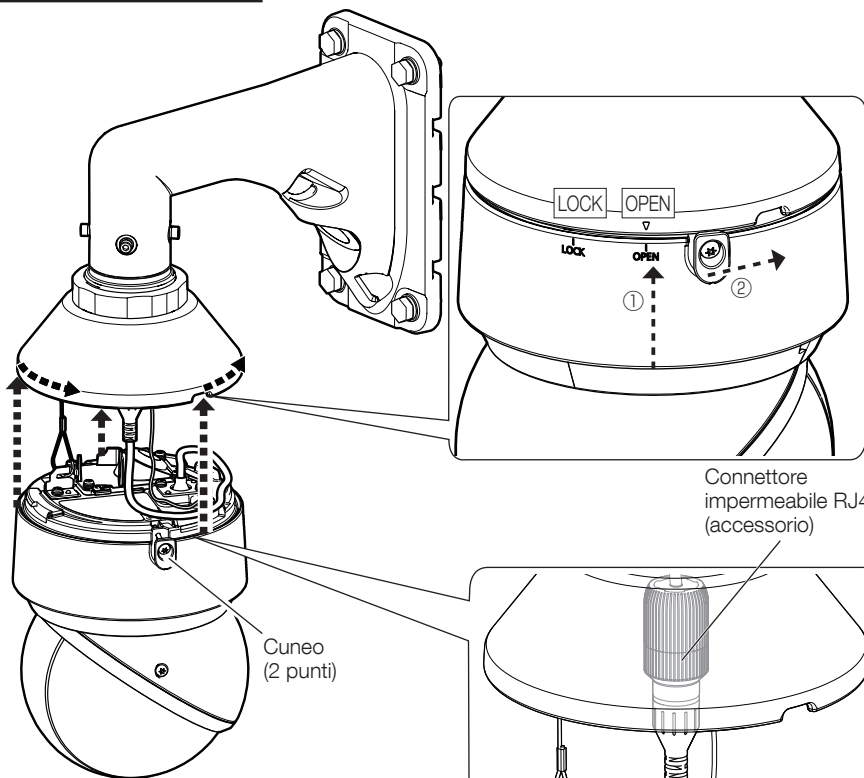


Coppia di torsione dell'avvitamento  
consigliata: 0,78 N·m

## Passaggio 6

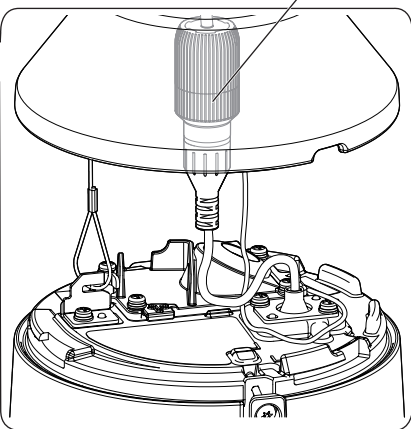
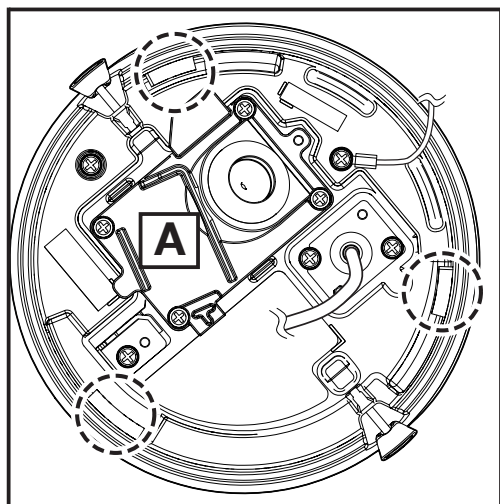


- Prima di fissare temporaneamente la telecamera alla staffa, rimuovere il nastro che blocca le sezioni sinistra e destra del cuneo e assicurarsi che i fili non rimangano impigliati.



Connettore impermeabile RJ45 (accessorio)

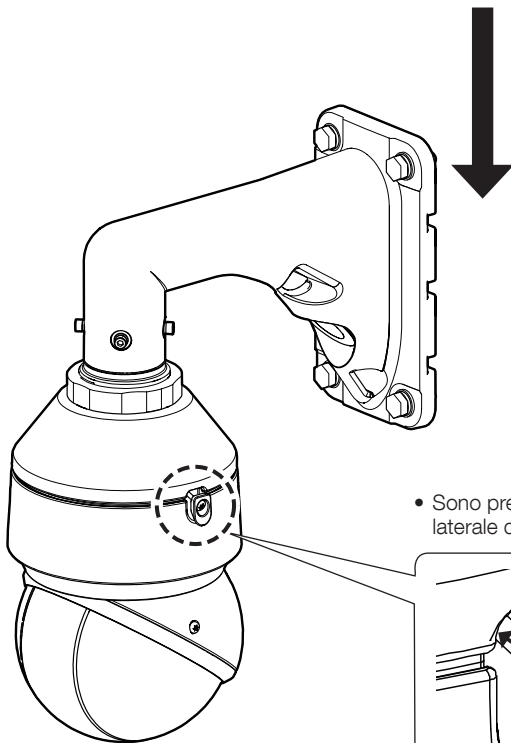
Cuneo (2 punti)



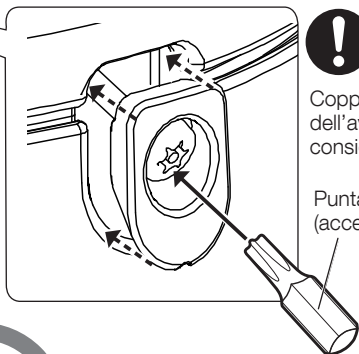
- Quando si utilizza un cavo I/O, posizionare i cavi avvolti con nastro impermeabilizzante (accessorio) sulla parte **A** nell'illustrazione a sinistra.



Vedere Guida web

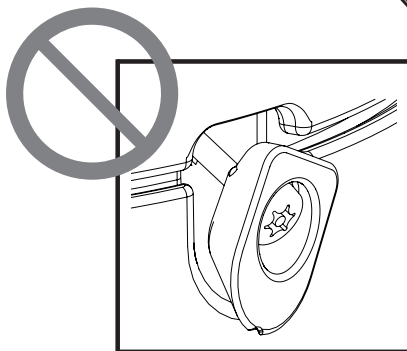


- Sono presenti due viti di fissaggio, una sulla parte laterale destra e una sulla parte laterale sinistra.



Coppia di torsione  
dell'avvitamento  
consigliata: 0,78 N·m

Punta  
(accessorio)



**Tipo 1 Finitura**

# Installazione Tipo 2

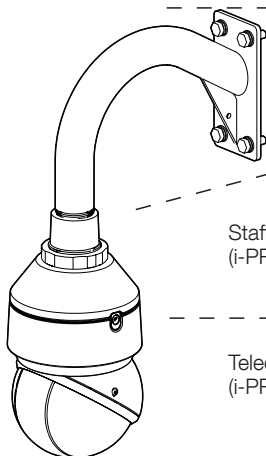
## Passaggio 2

### Controllo della combinazione di staffe

ISO

ANSI

Staffa procuratasi localmente



Staffa di montaggio  
(i-PRO bianco)

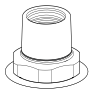
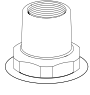
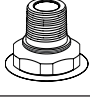
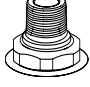
WW-QSR506F-W  
WW-QSR506M-W

WW-QSR506F1-W  
WW-QSR506M1-W

Telecamera  
(i-PRO bianco)

WW-S66700-Z3LN / WW-S66700-Z3N  
WW-S66700-Z3L / WW-S66700-Z3  
WW-S66600-Z3LN / WW-S66600-Z3N  
WW-S66600-Z3L / WW-S66600-Z3

WW-S66300-Z4LN / WW-S66300-Z4N  
WW-S66300-Z4L / WW-S66300-Z4  
WW-S66300-Z3LN / WW-S66300-Z3N  
WW-S66300-Z3L / WW-S66300-Z3

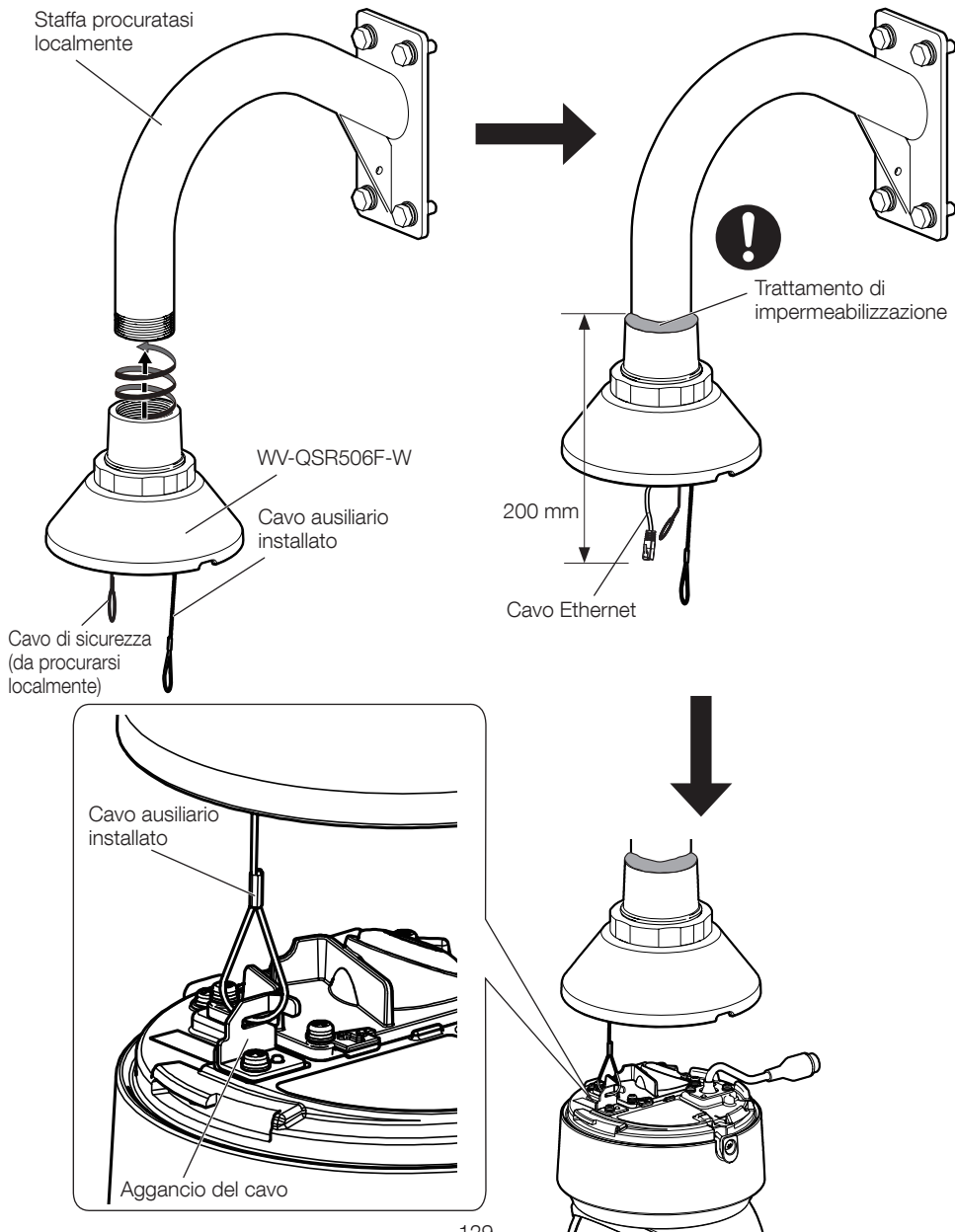
	Dati tecnici delle parti di collegamento di questo prodotto		Staffa di montaggio corrispondente a questo prodotto
WW-QSR506F-W	<b>Filettatura per tubi cilindrica femmina (ISO)</b> 40A, Rp 1-1/2, 11 cresta, profondità 25,4 mm		<b>Da procurarsi localmente</b> 40A, R 1-1/2, 11 cresta, lunghezza 25,4 mm o superiore (filettatura per tubi conica maschio)
WW-QSR506F1-W	<b>Filettatura per tubi cilindrica femmina (ANSI)</b> 40A, NPSC 1-1/2, 11,5 cresta, profondità 25,4 mm		<b>Da procurarsi localmente</b> 40A, NPT 1-1/2, 11,5 cresta, lunghezza 25,4 mm o superiore (filettatura per tubi conica maschio)
WW-QSR506M-W	<b>Filettatura per tubi conica maschio (ISO)</b> 40A, R 1-1/2, 11 cresta, lunghezza 25,4 mm		<b>Da procurarsi localmente</b> 40A, Rp 1-1/2, 11 cresta, profondità 25,4 mm o superiore (filettatura per tubi cilindrica femmina)
WW-QSR506M1-W	<b>Filettatura per tubi conica maschio (ANSI)</b> 40A, NPT 1-1/2, 11,5 cresta, lunghezza 25,4 mm		<b>Da procurarsi localmente</b> 40A, NPSC 1-1/2, 11,5 cresta, profondità 25,4 mm o superiore (filettatura per tubi cilindrica femmina)

## Passaggio 3

Quanto segue descrive lo schema di installazione di WV-QSR506F-W e della staffa procuratasi localmente in combinazione.

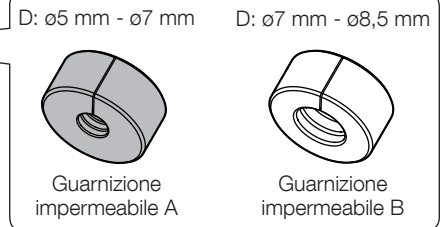
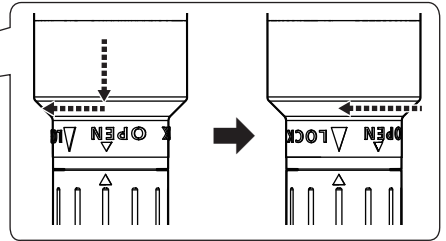
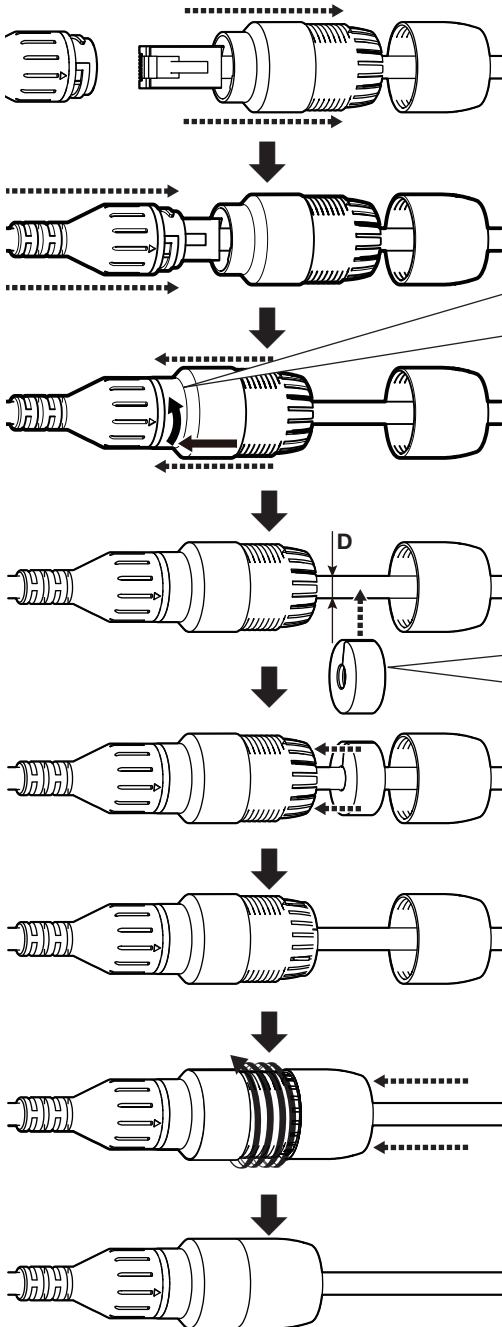
Fare riferimento alla guida all'installazione di WV-QSR506 per le procedure di installazione dettagliate quali il fissaggio del cavo di sicurezza.

Alcuni dei cavi di collegamento possono essere omessi nelle illustrazioni.



# Passaggio 4

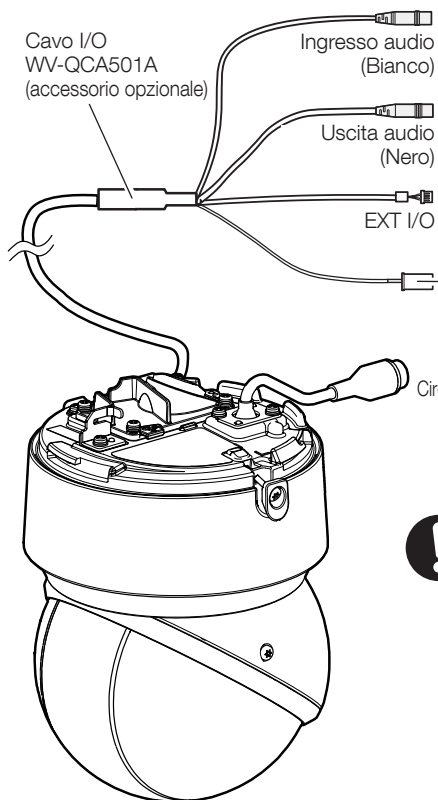
## ■ Connettore impermeabile RJ45



\* Se necessario, rinforzare l'impermeabilizzazione con nastro impermeabilizzante (accessorio). Tenere presente che l'utilizzo di nastro impermeabilizzante potrebbe rendere difficoltoso il cablaggio.

# Passaggio 5

## ■ Quando si utilizza un cavo I/O



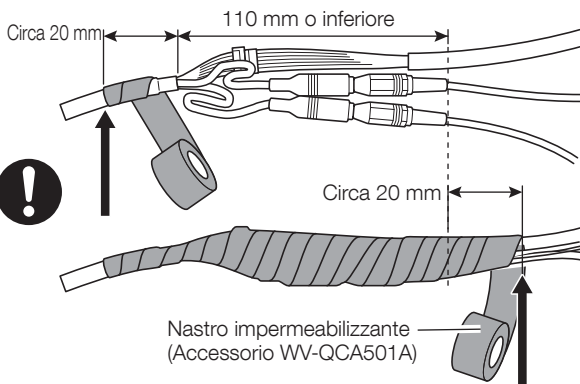
< 1 m (Microfono)  
< 10 m (Linea)

< 10 m

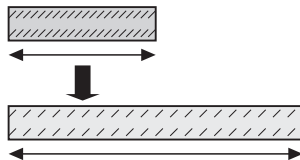
Cavo dell'allarme a 4 pin  
(Accessorio WV-QCA501A)

GND (Nero)  
ALARM IN3 (Grigio)  
ALARM IN2 (Rosso)  
ALARM IN1 (Verde)

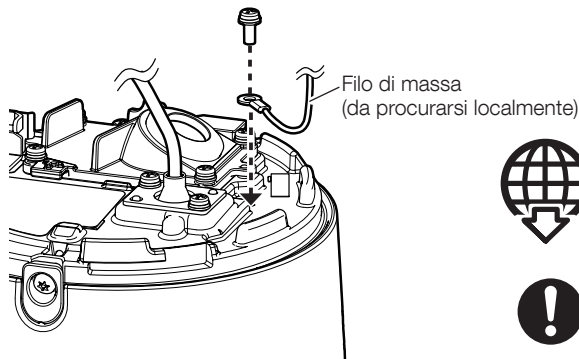
- Questo cavo non deve essere utilizzato. Applicare l'impermeabilizzazione anche a questo cavo così come agli altri cavi.



Tirare il nastro impermeabilizzante fino a raggiungere circa il doppio della lunghezza da utilizzare.



## ■ Filo di massa



Sito web di informazioni tecniche  
"Countermeasure for Lightning Surge"  
<Control No.: C0121>

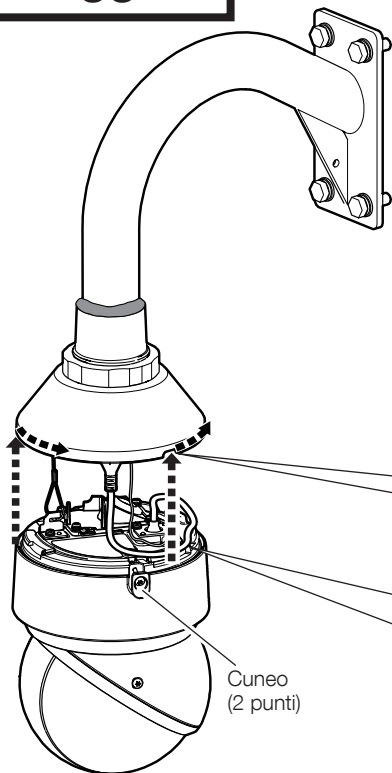


Coppia di torsione dell'avvitamento consigliata: 0,78 N·m

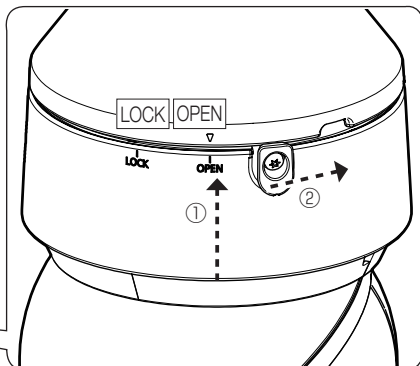
## Passaggio 6



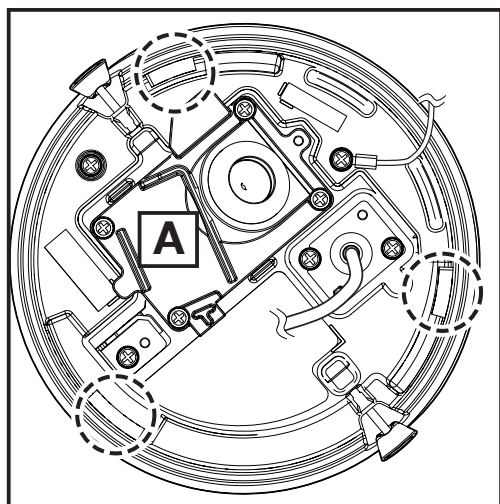
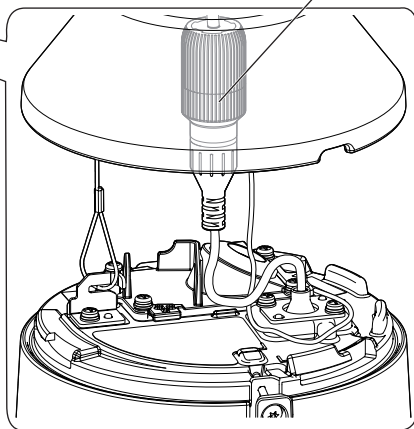
- Prima di fissare temporaneamente la telecamera alla staffa, rimuovere il nastro che blocca le sezioni sinistra e destra del cuneo e assicurarsi che i fili non rimangano impigliati.



Cuneo  
(2 punti)



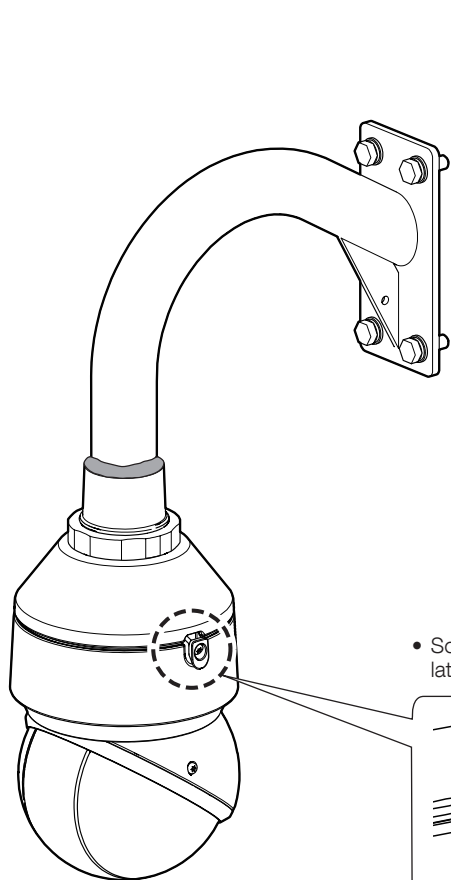
Connettore impermeabile  
RJ45 (accessorio)



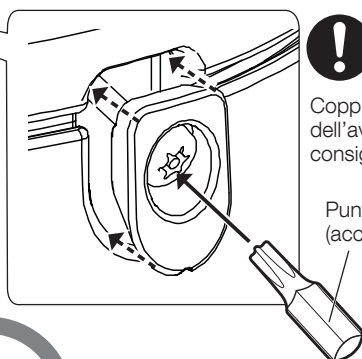
- Quando si utilizza un cavo I/O, posizionare i cavi avvolti con nastro impermeabilizzante (accessorio) sulla parte **A** nell'illustrazione a sinistra.



Vedere Guida web

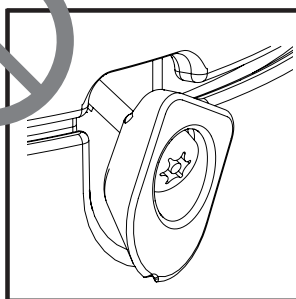
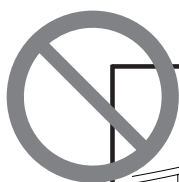


- Sono presenti due viti di fissaggio, una sulla parte laterale destra e una sulla parte laterale sinistra.



Coppia di torsione dell'avvitamento consigliata: 0,78 N·m

Punta (accessorio)

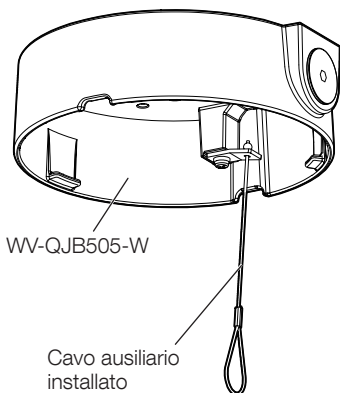


**Tipo 2 Finitura**

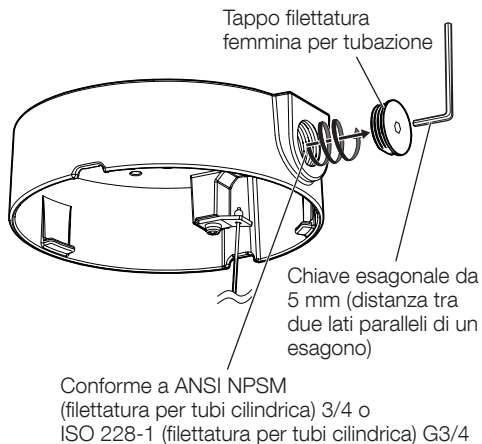
## Installazione Tipo 3

### Passaggio 2

<Quando si installa il cablaggio dal soffitto>

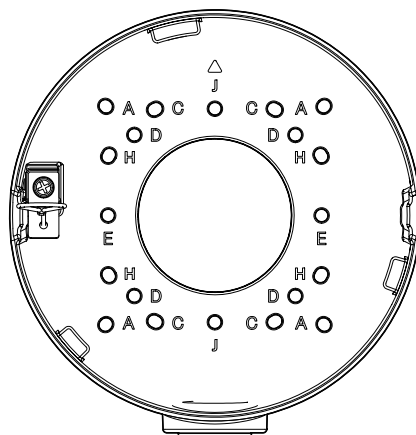


<Quando si utilizza la tubazione>



### Passaggio 3

Questa piastra può essere fissata sulle sei posizioni seguenti delle viti a seconda della condizione della superficie di installazione. Utilizzare gli stessi fori di montaggio da A a J.

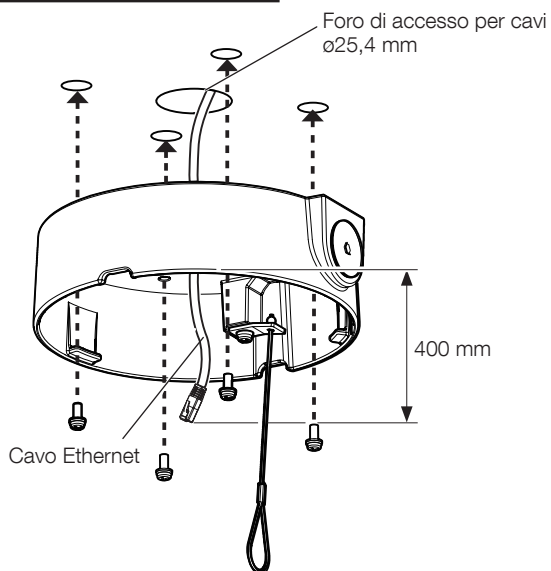


\* In caso di installazione su un'unica scatola di commutazione, fissare con due viti di fissaggio (M4: da procurarsi localmente).

	Lunghezza	Larghezza
A	85 mm (85,7 mm)	85 mm (85,7 mm)
C	83,5 mm (83,3 mm)	46 mm (47,6 mm)
D	63 mm	63 mm
E*	-	83,5 mm
H	46 mm (47,6 mm)	83,5 mm (83,3 mm)
J*	83,5 mm	-

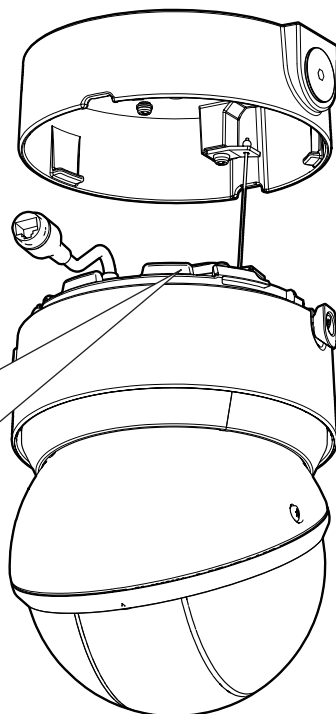
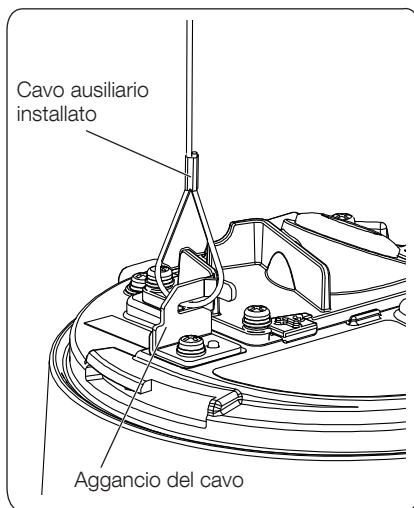
## Passaggio 3

(continuazione)



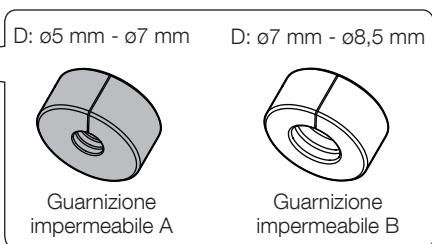
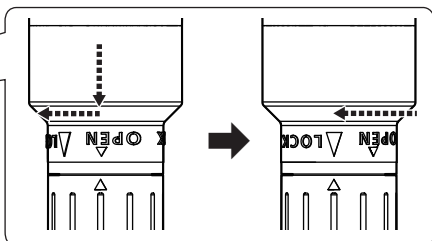
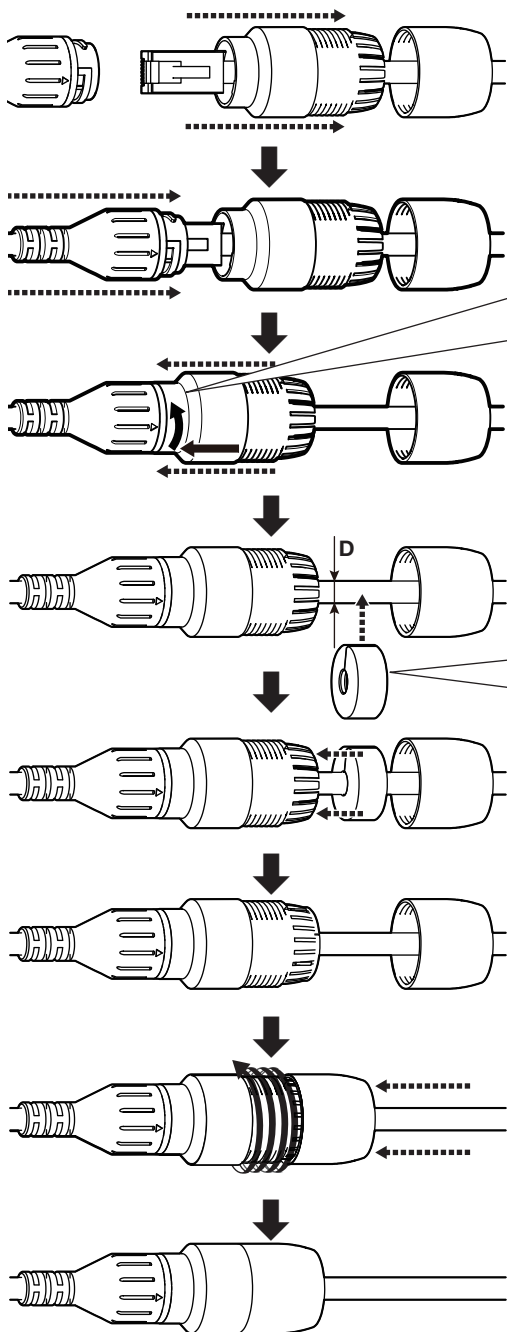
Vite di fissaggio (4 pz.)  
(M4: da procurarsi localmente)  
Resistenza alla trazione minima:  
196 N/per 1 pz.

## Passaggio 4



# Passaggio 5

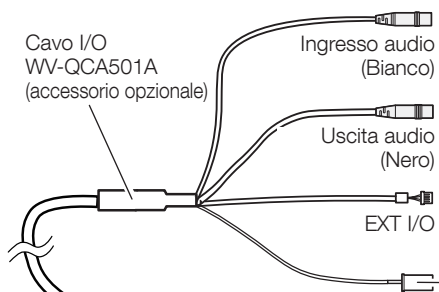
## ■ Connettore impermeabile RJ45



\* Se necessario, rinforzare l'impermeabilizzazione con nastro impermeabilizzante (accessorio). Tenere presente che l'utilizzo di nastro impermeabilizzante potrebbe rendere difficoltoso il cablaggio.

# Passaggio 6

## ■ Quando si utilizza un cavo I/O



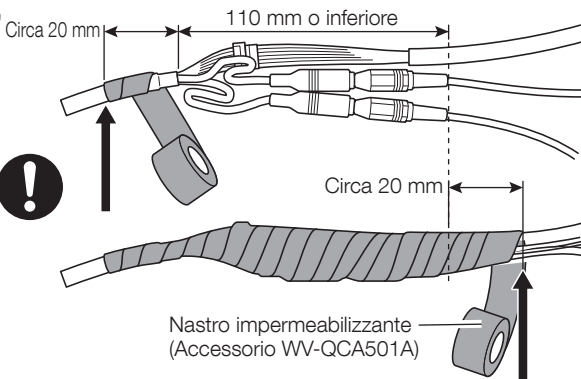
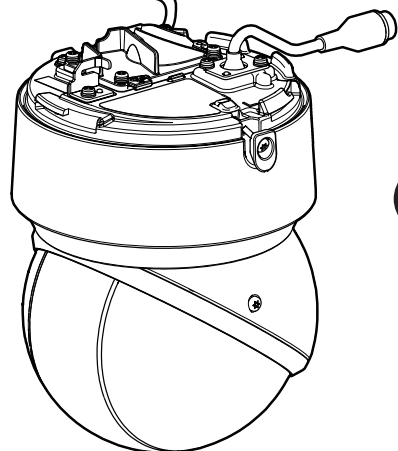
< 1 m (Microfono)  
< 10 m (Linea)

< 10 m

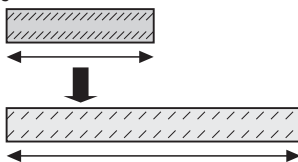
Cavo dell'allarme a 4 pin (Accessorio WV-QCA501A)

GND (Nero)  
ALARM IN3 (Grigio)  
ALARM IN2 (Rosso)  
ALARM IN1 (Verde)

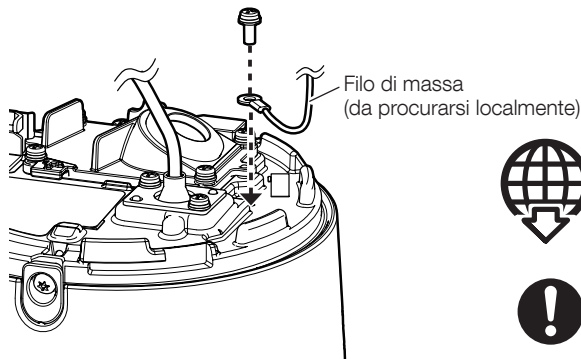
- Questo cavo non deve essere utilizzato. Applicare l'impermeabilizzazione anche a questo cavo così come agli altri cavi.



Tirare il nastro impermeabilizzante fino a raggiungere circa il doppio della lunghezza da utilizzare.



## ■ Filo di massa



Sito web di informazioni tecniche  
"Countermeasure for Lightning Surge"  
<Control No.: C0121>

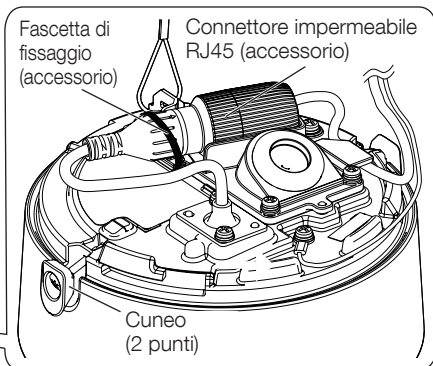
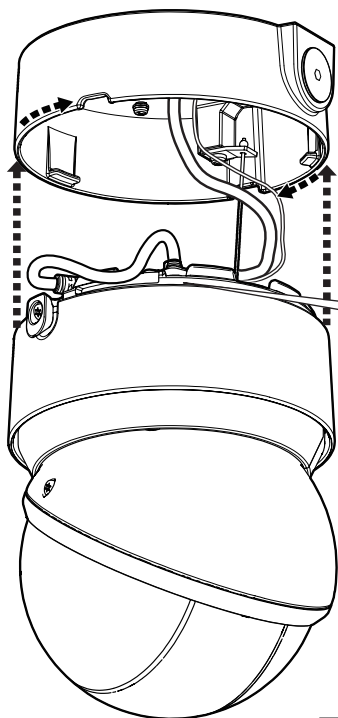


Coppia di torsione dell'avvitamento  
consigliata: 0,78 N·m

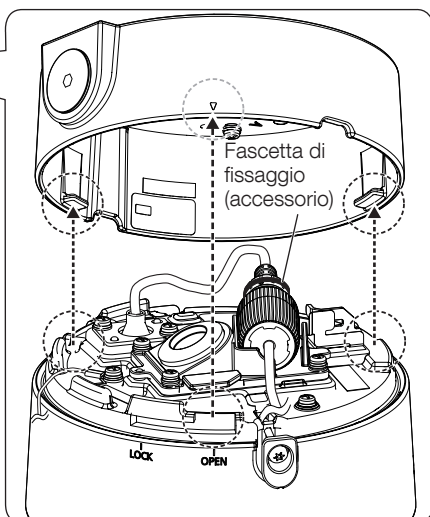
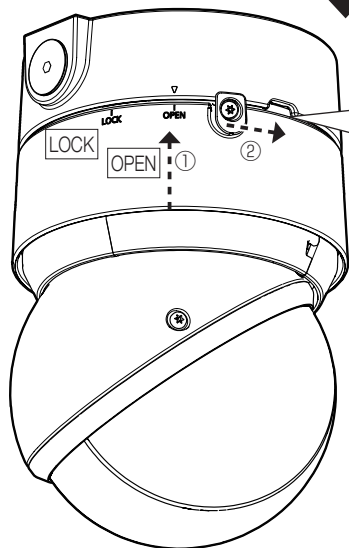
## Passaggio 7



- Prima di fissare temporaneamente la telecamera alla staffa, rimuovere il nastro che blocca le sezioni sinistra e destra del cuneo e assicurarsi che i fili non rimangano impigliati.



- Fissare il connettore impermeabile RJ45 (accessorio) utilizzando una fascetta di fissaggio (accessorio) nella posizione predeterminata sul copricavo.

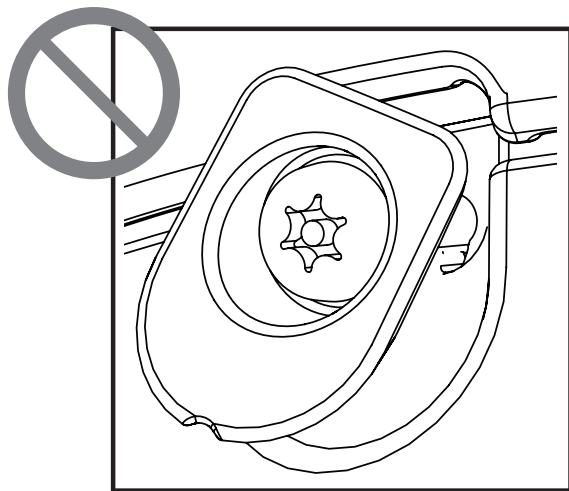
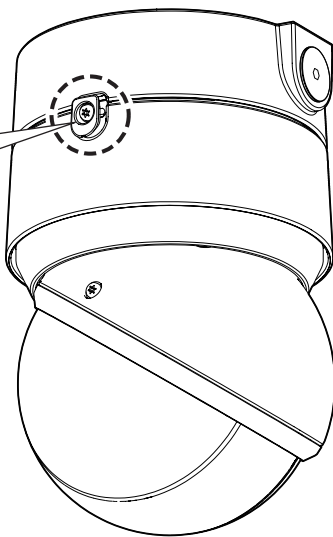
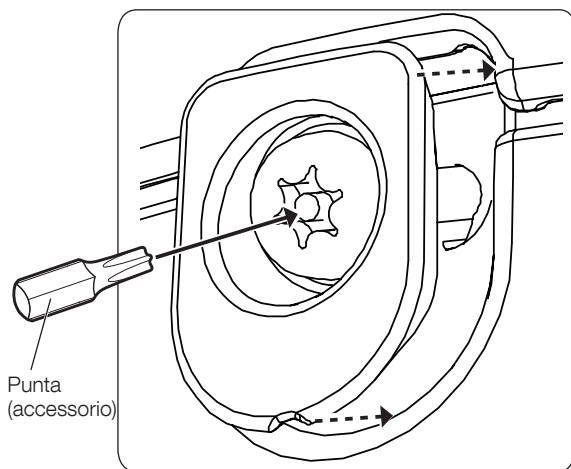


## Passaggio 8



Coppia di torsione dell'avvitamento consigliata: 0,78 N·m

- Sono presenti due viti di fissaggio, una sulla parte laterale destra e una sulla parte laterale sinistra.



**Tipo 3 Finitura**

## Guía de instalación

Manual de instrucciones para la instalación incluido

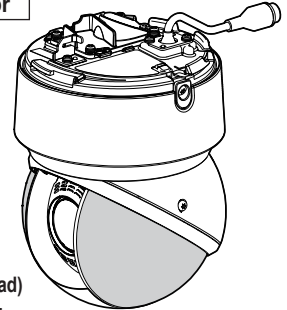
### Cámara de red

Solo para uso profesional

Uso en exterior

Nº modelo Serie WV-S66700  
Serie WV-S66600  
Serie WV-S66300  
Serie WV-X66700  
Serie WV-X66600  
Serie WV-X66300

(Serie WV-X66x00: Gran resistencia a los daños causados por la salinidad)



- Los números de modelo tratados en este manual se describen en la página 141.

WV-S66700-Z3LN

### Acerca de los manuales del usuario

La documentación del producto se compone de los siguientes documentos.

- **Guía de instalación (este documento):** Proporciona información sobre "Precauciones", "Precauciones para la instalación" y el método de instalación.
- **Guía web (consulte el enlace en el siguiente sitio web de información del producto):** Incluye vídeos de instalación, funciones y métodos de funcionamiento básicos para este dispositivo.
- **User manual (Inglés solamente) (consulte el enlace en el siguiente sitio web de información del producto):** Esta sección describe las instrucciones de funcionamiento del software comunes a cada modelo.  
[https://i-pro.com/products\\_and\\_solutions/en/surveillance/documentation-database](https://i-pro.com/products_and_solutions/en/surveillance/documentation-database)



El "<N.º de control: C\*\*\*\*>" usado en estos documentos debe utilizarse para buscar información en nuestro sitio web de información técnica ([https://i-pro.com/products\\_and\\_solutions/en/surveillance/learning-and-support/knowledge-base/technical-information](https://i-pro.com/products_and_solutions/en/surveillance/learning-and-support/knowledge-base/technical-information)) y le guiará a la información correcta.

- Antes de conectar o poner en funcionamiento este aparato, lea atentamente estas instrucciones y conserve el folleto "Important Safety Instructions" para futuras consultas.
- La tarjeta de memoria microSDXC/ microSDHC/ microSD se menciona como tarjeta de memoria microSD.
- Debido a las mejoras del producto, el aspecto exterior y otras partes que se muestran en este manual pueden ser diferentes del producto real siempre y cuando no interfieran con el empleo normal.



i-PRO Co., Ltd.

Tokyo, Japan

<https://www.i-pro.com/>

Authorised Representative in EU:  
i-PRO EMEA B.V.  
Laarderhoogtweg 25, 1101 EB  
Amsterdam, Netherlands

i-PRO EMEA B.V. UK Branch  
1010 Cambourne Business Park,  
Cambridgeshire CB23 6DP



• Este manual cubre los siguientes modelos.

■ Modelos normales:

Serie WV-S66700 (WV-S66700-Z3LN<sup>\*1,3</sup>, WV-S66700-Z3N<sup>\*1,4</sup>, WV-S66700-Z3L<sup>\*2,3</sup>, y WV-S66700-Z3<sup>\*2,4</sup>)

Serie WV-S66600 (WV-S66600-Z3LN<sup>\*1,3</sup>, WV-S66600-Z3N<sup>\*1,4</sup>, WV-S66600-Z3L<sup>\*2,3</sup>, y WV-S66600-Z3<sup>\*2,4</sup>)

Serie WV-S66300 (WV-S66300-Z4LN<sup>\*1,3</sup>, WV-S66300-Z3LN<sup>\*1,3</sup>, WV-S66300-Z4N<sup>\*1,4</sup>, WV-S66300-Z3N<sup>\*1,4</sup>, WV-S66300-Z4L<sup>\*2,3</sup>, WV-S66300-Z3L<sup>\*2,3</sup>, WV-S66300-Z4<sup>\*2,4</sup>, y WV-S66300-Z3<sup>\*2,4</sup>)

■ Modelos con gran resistencia a los daños causados por la salinidad (serie WV-X66x00):

Serie WV-X66700 (WV-X66700-Z3LK<sup>\*1,3</sup>, WV-X66700-Z3K<sup>\*1,4</sup>, WV-X66700-Z3LS<sup>\*2,3</sup>, y WV-X66700-Z3S<sup>\*2,4</sup>)

Serie WV-X66600 (WV-X66600-Z3LK<sup>\*1,3</sup>, WV-X66600-Z3K<sup>\*1,4</sup>, WV-X66600-Z3LS<sup>\*2,3</sup>, y WV-X66600-Z3S<sup>\*2,4</sup>)

Serie WV-X66300 (WV-X66300-Z4LK<sup>\*1,3</sup>, WV-X66300-Z3LK<sup>\*1,3</sup>, WV-X66300-Z4K<sup>\*1,4</sup>, WV-X66300-Z3K<sup>\*1,4</sup>, WV-X66300-Z4LS<sup>\*2,3</sup>, WV-X66300-Z3LS<sup>\*2,3</sup>, WV-X66300-Z4S<sup>\*2,4</sup>, y WV-X66300-Z3S<sup>\*2,4</sup>)

\*1 Modelo con revestimiento ClearSight

\*2 Modelo sin revestimiento ClearSight

\*3 Modelo con luz LED IR

\*4 Modelo sin luz LED IR

## Eliminación de Aparatos Viejos y de Pilas y Baterías

### Solamente para la Unión Europea y países con sistemas de reciclado



Estos símbolos en los productos, su embalaje o en los documentos que los acompañen significan que los productos eléctricos y electrónicos y pilas y baterías usadas no deben mezclarse con los residuos domésticos.

Para el adecuado tratamiento, recuperación y reciclaje de los productos viejos y pilas y baterías usadas llévelos a los puntos de recogida de acuerdo con su legislación nacional. En España, los usuarios están obligados a entregar las pilas en los correspondientes puntos de recogida. En cualquier caso, la entrega por los usuarios será sin coste alguno para éstos. El coste de la gestión medioambiental de los residuos de pilas y baterías está incluido en el precio de venta. Si los elimina correctamente ayudará a preservar valiosos recursos y evitará potenciales efectos negativos sobre la salud de las personas y sobre el medio ambiente.

Para más información sobre la recogida u reciclaje, por favor contacte con su ayuntamiento. Puede haber sanciones por una incorrecta eliminación de este residuo, de acuerdo con la legislación nacional.



#### Nota para el símbolo de pilas y baterías (símbolo debajo)

Este símbolo puede usarse en combinación con el símbolo químico. En este caso, cumple con los requisitos de la Directiva del producto químico indicado.

## ADVERTENCIA:

- El funcionamiento de este producto en un entorno residencial podría provocar interferencias de radio.

## Precaución:

- La fuente de alimentación de CC conectada a la cámara debe estar en el mismo edificio.
- La cámara de red está solamente preparada para una conexión a una Ethernet o red PoE sin enrutamiento a la planta exterior.
- Este producto no tiene interruptor de alimentación. Asegúrese de instalar dispositivos de desconexión como, por ejemplo, un disyuntor para apagar la alimentación principal del equipo de suministro de energía a este producto.
- Antes de conectar o de poner en funcionamiento este aparato, lea atentamente estas instrucciones.

## Aviso:

- Este producto no es adecuado para su uso en lugares donde es probable que haya niños presentes.
- No instale este producto en lugares donde las personas comunes puedan acceder fácilmente.
- Este producto es un equipo profesional.
- Para obtener información sobre los tornillos y otras piezas necesarias para la instalación, consulte la sección correspondiente de este documento.



: Símbolo de la corriente continua



: Precaución, radiación infrarroja

## Precauciones

Para evitar daños a las personas y a la propiedad, se explica lo que es imprescindible tener en cuenta. Las declaraciones de seguridad comunes a todos los modelos de cámaras de red i-PRO se publican en el sitio web vinculado desde el código de barras bidimensional de la derecha. Asegúrese de confirmarlo todo.

[https://i-pro.com/products\\_and\\_solutions/en/surveillance/learning-and-support/knowledge-base/safety-instructions](https://i-pro.com/products_and_solutions/en/surveillance/learning-and-support/knowledge-base/safety-instructions)



### ■ No instale este producto en áreas restringidas o prohibidas.

Hacerlo puede provocar lesiones, accidentes o un mal funcionamiento debido a una caída.

Compruebe las precauciones de seguridad comunes a todos los modelos en el sitio de web anterior y las precauciones de instalación en la guía de instalación.

### ■ Solicite el trabajo de instalación al distribuidor.

Es necesario poseer técnica y experiencia para realizar el trabajo de instalación. Si no lo hace así, pueden ocasionarse incendios, descargas eléctricas, heridas, o daños en el producto. Consúltelo sin falta al distribuidor.

### ■ Instale el producto con precisión y seguridad sobre una superficie de instalación de acuerdo con las instrucciones de instalación.

Si no sigue esta indicación, correrá peligro de heridas o accidentes.

### ■ Tome medidas de protección contra la caída del producto.

Si no lo hace así, puede producirse una caída que presentará peligro de heridas.

Fije bien el producto a la superficie de instalación con tornillos o anclajes. Si viene incluido un cable anticaída, asegúrese de instalarlo.

### ■ Detenga inmediatamente la operación cuando note que hay algo de este producto que no funciona bien.

Cuando salga humo del producto, se perciba algún olor a humo procedente del producto o se haya deteriorado el exterior del producto, si sigue utilizándolo correrá peligro de incendio, caídas del producto que pueden ocasionar lesiones o daños a la propiedad.

En este caso, desconecte inmediatamente la alimentación y solicite el servicio a personal de servicio cualificado.

### ■ Realice inspecciones periódicas.

La corrosión de las partes metálicas o de los tornillos puede ocasionar la caída del producto y el riesgo de sufrir heridas o accidentes.

Consulte a su distribuidor para las inspecciones.

Asegúrese de apagar la alimentación antes de realizar la inspección o el mantenimiento.

## Precauciones para la instalación

**i-PRO Co., Ltd. no se hace responsable de lesiones o daños a la propiedad que resulten de fallos derivados de una incorrecta instalación o funcionamiento que no se ajuste con esta documentación.**

■ **Con el fin de evitar lesiones, el producto debe ser instalado de forma segura en una ménsula de montaje de acuerdo con la Guía de instalación.**

■ **Área de instalación para este producto**

Seleccione un lugar que sea apropiado como área de instalación (como pueda ser un superficie de instalación resistente) en su entorno particular.

- Asegúrese de que el lugar de instalación sea suficientemente fuerte como para sostener el producto, como pueda ser un techo de hormigón.
- Instale la cámara en la parte de los cimientos de la estructura o en un lugar que ofrezca resistencia suficiente.
- No monte el producto en una plancha de yeso ni en una sección de madera porque son demasiado débiles. Si el producto debe montarse inevitablemente en tales secciones, deberá reforzar suficientemente la sección.
- La cámara tiene aplicado un tratamiento de gran resistencia a los daños causados por la salinidad, lo cual no garantiza una resistencia completa contra la corrosión. Preste atención al lugar de instalación como los lugares donde no lleguen directamente las salpicaduras del agua del mar. Prepare un tratamiento de gran resistencia a los daños por la salinidad para la cimentación del lugar de instalación y el soporte de instalación como, por ejemplo, monturas para poste. <Serie WV-X66700> <Serie WV-X66600> <Serie WV-X66300>

■ **Método de montaje de este producto.**

Este producto está diseñado para ser utilizado como cámara de montaje colgante. Si monta el producto sobre un escritorio o inclinado, podría no funcionar correctamente y su vida útil se reducirá.

■ **No ponga este producto en los lugares siguientes:**

- Lugares en los que se empleen productos químicos como en las piscinas
- Lugares sujetos a humedad o humo grasiento como en la cocina
- Lugares que tengan un entorno especial que estén sujetos a ambientes o solventes inflamables
- Lugares donde se genere radiación, rayos X, ondas de radio potentes o campos magnéticos fuertes
- Lugares cercanos al litoral sometidos directamente a la brisa del mar, <Serie WV-S66700> <Serie WV-S66600> <Serie WV-S66300>, o lugares expuestos a gases corrosivos como el de las aguas termales, regiones volcánicas, etc.
- Lugares en los que la temperatura no esté dentro del margen especificado
- Lugares sujetos a vibraciones, como pueda ser en el interior de vehículos, embarcaciones o encima de líneas de producción (Este producto no está diseñado para ser empleado dentro de vehículos.)
- Lugares expuestos a condensación debido a cambios bruscos de temperatura como, por ejemplo, cerca de la unidad exterior de un aparato de aire acondicionado.
- Lugares cerca de productos de caucho que contienen azufre (envases, patas de goma, etc.)

■ **Apriete de tornillos**

No emplee un destornillador de impacto. El empleo de un destornillador de impacto puede causar daños en los tornillos o su apriete excesivo.

■ **Acerca de la reflexión de la luz desde el exterior o luz IR**

Podría aparecer efecto fantasma en la pantalla dependiendo del ángulo incidente de la luz externa. En el caso de usar la luz IR, instalar la cámara cerca de una pared podría causar reflexiones de los rayos infrarrojos y parte de la pantalla o toda la pantalla se volverá blanquecina.

- Consulte nuestro sitio web de información técnica <N.º de control: C0109> para ver ejemplos de imágenes y medidas a tomar.

■ **Tenga en cuenta la humedad**

Instale este producto cuando haya poca humedad. Si se efectúa la instalación cuando está lloviendo o en condiciones de alta humedad, es posible que la humedad afecte el interior y cause neblina dentro de la cubierta del domo.

■ **Protección contra rayos**

Cuando se emplean cable al aire libre, se correrá el peligro de que puedan verse afectados por los rayos. En tales casos, instale un pararrayos cerca de la cámara y procure que la longitud del cable de la red entre la cámara y el pararrayos sea lo más corta posible para evitar la posibilidad de que los rayos puedan afectar a la cámara. Consulte nuestro sitio web de información técnica <N.º de control: C0121>

■ **Cuando puede ocurrir perturbación de ruido**

Puede aparecer ruido en el vídeo o audio cerca de los fuertes campos eléctricos de una antena de televisión o de radio, de motores y transformadores, o de fuertes campos eléctricos/campos magnéticos de una línea eléctrica (línea de luces) de 100 V CA o más. Realice el trabajo de distribución de energía manteniéndose a 1 m de distancia o realice el trabajo del conducto eléctrico usando tuberías de metal. (Asegúrese de conectar a tierra las tuberías de metal).

■ **Etiqueta de clasificación del equipo y de indicación de la fuente de alimentación**

Mire la etiqueta de identificación de la parte inferior de esta unidad para ver la clasificación del equipo, los valores de alimentación, y demás información.

■ **Acerca de la electricidad estática**

Antes de instalar o desinstalar este producto, asegúrese de tocar un objeto metálico para descargar la electricidad estática de su cuerpo.

## Especificaciones

Valores de alimentación*1:	<p><b>&lt;Todos los modelos&gt;</b>          PoE++ (Compatible con IEEE802.3bt)  <b>&lt;Serie WV-S66300&gt; &lt;Serie WV-X66300&gt;</b>          PoE+ (Compatible con IEEE802.3at)*2</p>
Consumo de energía*1:	<p><b>&lt;Modelo con luz LED IR&gt;</b>          PoE++ 54 V CC: 850 mA / aprox. 45,9 W (dispositivo de clase 6)          PoE+ 54 V CC*2: 470 mA / aprox. 25,4 W (dispositivo de clase 4)  <b>&lt;Modelo sin luz LED IR&gt;</b>          PoE++ 54 V CC: 700 mA / aprox. 37,8 W (dispositivo de clase 6)          PoE+ 54 V CC*2: 320 mA / aprox. 17,3 W (dispositivo de clase 4)</p>
Entorno de operación Temperatura ambiental de funcionamiento:	<p><b>PoE++</b>          -50 °C a +60 °C*3          (Margen de conexión de la alimentación: -30 °C a +60 °C)  <b>PoE+*</b>          -20 °C a +60 °C*3</p>
Humedad ambiental de funcionamiento:	10 % a 100 % (sin condensación)
Entorno de almacenaje Temperatura de almacenaje:	-30 °C a +60 °C
Humedad de almacenaje:	10 % a 95 % (sin condensación)
Impermeabilidad**4:	IP66 (IEC 60529), Tipo 4X (UL50E), cumple con la norma NEMA 4X
Resistencia a los golpes:	IK10 (IEC 62262)
Resistencia al viento:	Hasta 40 m/s
Dimensiones:	<p>Diámetro máximo: 167 mmø x 205 mm (Al)          Radio del domo: 77,5 mm          (excluyendo la fijación y las piezas salientes)</p>
Masa:	Aprox. 3 kg (excluyendo piezas de fijación)
Acabado:	<p><b>Cuerpo principal:</b> Aluminio presofundido, blanco i-PRO/negro          (El recubrimiento de gran resistencia a los daños causados por la salinidad)  <b>&lt;Serie WV-X66700&gt; &lt;Serie WV-X66600&gt;</b>  <b>&lt;Serie WV-X66300&gt;</b>          Resina PC, negro</p> <p><b>Tornillos de fijación exteriores:</b> Acero inoxidable          (tratamiento resistente a la corrosión)</p> <p><b>Cubierta del domo:</b> Resina PC, transparente (con revestimiento ClearSight*5)</p>
Otros:	<p>Alojamiento resistente a forzamientos*6          cumple con la norma NEMA TS2          Temperatura máxima según NEMA TS 2 (2.2.7): 74 °C</p>

\*1 Visite nuestro sitio en la web de información técnica <N.º de control: C0106> para encontrar más información acerca de los valores de alimentación y del consumo de energía.

\*2 La alimentación PoE+ es compatible a partir de la versión de software 3.65 o posterior. Al utilizar la alimentación PoE+, la función de calefacción siempre está desactivada y la velocidad de panoramización/inclinación del objetivo se limita a un máximo de 90°/s.

\*3 Cuando se utilice con la luz LED IR encendida constantemente, el límite superior del intervalo de temperaturas de funcionamiento es de +50°C.

- \*4 Sólo cuando el trabajo de instalación se efectúa correctamente como se describe en la Guía de instalación y se aplica el tratamiento impermeabilizante apropiado.
- \*5 Hay modelos que están equipados con revestimiento ClearSight y modelos que no lo están.
- \*6 Un componente que tenga una estructura en la que los tornillos sean accesibles después de la instalación que no puedan enroscarse ni desenroscarse con un destornillador normal.

## Accesorios opcionales







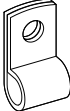

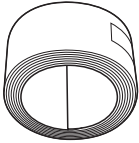

La información más reciente → Sitio web de información técnica "Accessory Selector"  
<N.º de control: C0501>

## Solución de problemas

Antes de solicitar el servicio, consulte "Solución de problemas" en la Guía web. A continuación, confirme el problema.

## Accesorios estándar

Important Safety Instructions ..... 1 pieza

 <p>Broca x1 (llave hexagonal, tamaño de tornillo de 6,35 mm T20)</p>	 <p>Tapa del conector impermeable RJ45 x1</p>	 <p>Goma impermeable A x1 Goma impermeable B x1</p>	 <p>Banda de sujeción x2 (1 de ellas de repuesto)</p>
 <p>Abrazadera x1</p>	 <p>Tornillo de fijación x2 (1 de ellas de repuesto)</p>	 <p>Cinta impermeable x1</p>	 <p>Etiqueta de revestimiento contra la lluvia x1 (Solamente el modelo con revestimiento ClearSight)</p>

## Otros artículos que son necesarios (no incluidos)

- Tornillos de montaje

Método de instalación	Tornillo recomendado <sup>*1</sup>	Resistencia mínima al tiro hacia fuera <sup>*2</sup>
Tipo 1 WV-QSR506 (Ménsula de montaje) + WV-QCL501 (Ménsula de montaje en el techo)	M10 x 30 mm x 4 piezas <sup>*3</sup>	1411 N
Tipo 1 WV-QSR506 (Ménsula de montaje) + WV-QWL501 (Ménsula de montaje en la pared)	M10 x 30 mm x 4 piezas <sup>*3</sup>	823 N
Tipo 2 WV-QSR506F/ WV-QSR506M (Ménsula de montaje) + Ménsula de venta en los establecimientos del ramo	Consulte el manual de instrucciones de la ménsula de venta en los establecimientos del ramo.	
Tipo 3 WV-QJB505 (Ménsula de la base)	M4 x 16 mm x 4 piezas <sup>*3</sup>	196 N
Tipo 4 WV-QEM505 (Ménsula de montaje en el techo)	Consulte la Guía de instalación de WV-QEM505.	
Tipo 5 WV-QWL502 (Ménsula de montaje en la pared)	Consulte la Guía de instalación de WV-QWL502.	

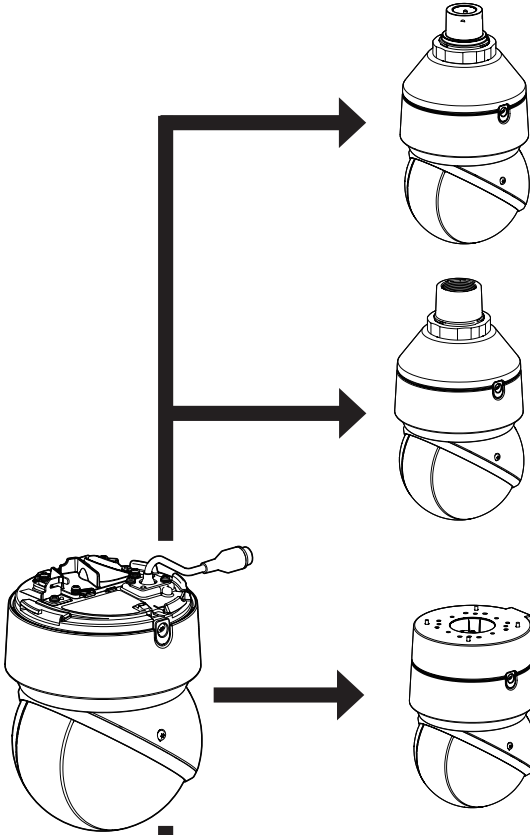
\* Consulte la página 148 para obtener una imagen de cómo se combina este producto con las ménsulas de montaje del Tipo 1 al Tipo 5.

\*1 Seleccione unos tornillos que sean adecuados para el material del lugar donde se proponga montar la cámara. En este caso, no deberán emplearse tornillos ni clavos para madera.

\*2 Este valor indica el valor mínimo requerido de resistencia al tiro hacia fuera por tornillo. Para encontrar información sobre la resistencia mínima al tiro hacia fuera, visite nuestro sitio web de información técnica <N.º de control: C0120>.

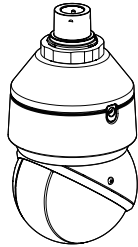
\*3 La longitud del tornillo es un ejemplo cuando se instala la cámara sobre una superficie de instalación sólida con un grosor de 20 mm o más.

- Cable de Ethernet con clavija RJ45 (categoría 5e o mejor, recto, todos los 4 pares (8 clavijas), menos de 100 m)



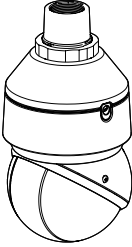
### Tipo 1

WV-QSR506-W/ WV-QSR506S-W  
 ⇒ página 149 - 155 (Preparativos)  
 ⇒ página 156



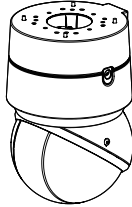
### Tipo 2

WV-QSR506M-W/ WV-QSR506M1-W  
 WV-QSR506F-W/ WV-QSR506F1-W  
 ⇒ página 149 - 155 (Preparativos)  
 ⇒ página 162




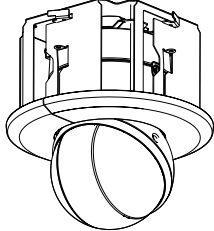
### Tipo 3

WV-QJB505-W  
 ⇒ página 149 - 155 (Preparativos)  
 ⇒ página 168




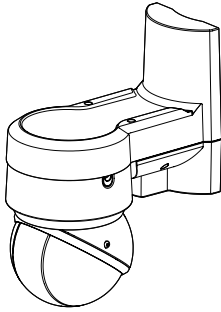
### Tipo 4

WV-QEM505-W  
 ⇒ Guía de instalación de WV-QEM505



### Tipo 5

WV-QWL502-W  
 ⇒ Guía de instalación de WV-QWL502



# Procedimiento de instalación

Consulte la Guía web

## Partes y funciones

### Nota:

Es posible que se aprecie un patrón de goteo de líquido en el anillo alrededor de la cubierta del domo.  
Estas marcas se generan cuando el revestimiento ClearSight se aplica a la cubierta del domo y no afecta al rendimiento.  
(Solamente el modelo con revestimiento ClearSight)

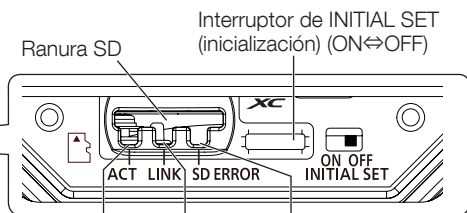
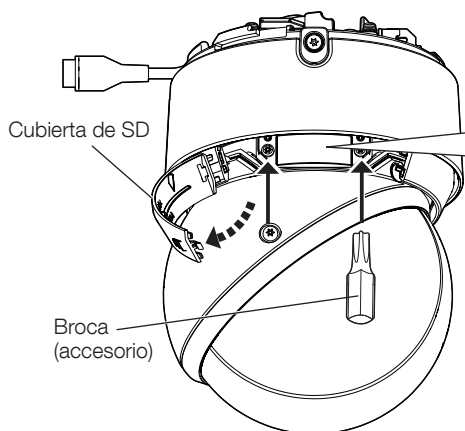
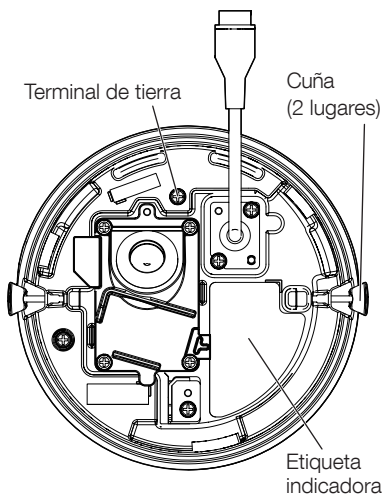
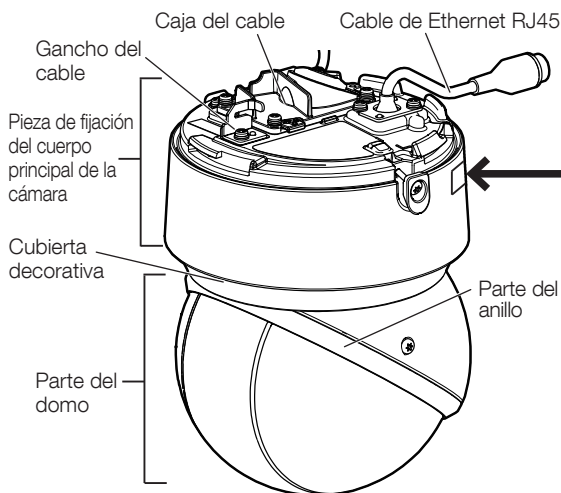
### PRECAUCIÓN



### GRUPO DE RIESGO 2

Este producto emite infrarrojos. Evite la exposición de los ojos.  
Use protección adecuada o protección para los ojos.

(Solamente el modelo con luz LED IR)



Indicador ACT    Indicador LINK    Indicador SD ERROR



(verde)



(naranja)



(rojo)

\* La cubierta SD se omite en la ilustración anterior.



• Todos los LED se apagan  
⇒ Consulte la sección "Indicators" en  
"User manual".

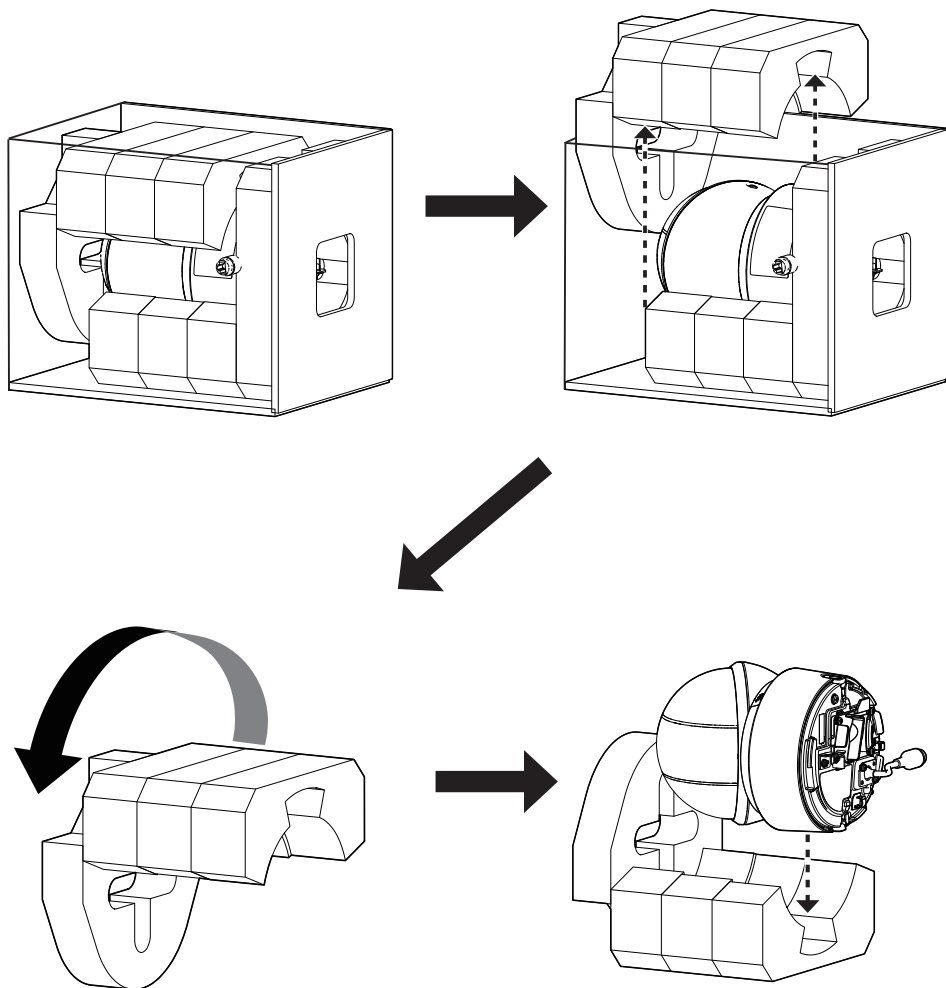
# Paso 1

## Preparativos

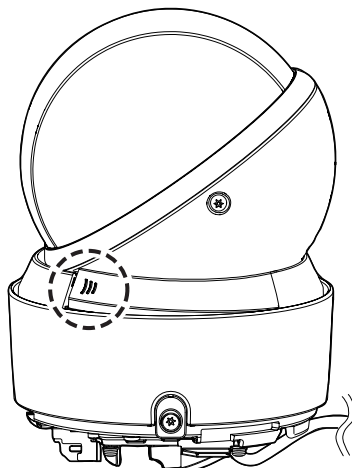
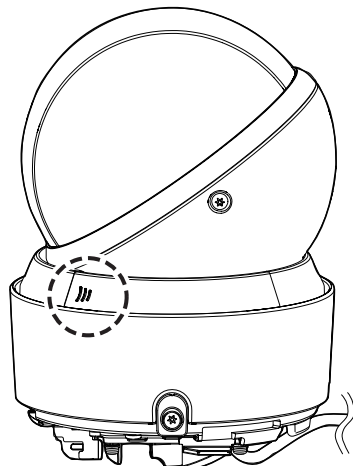
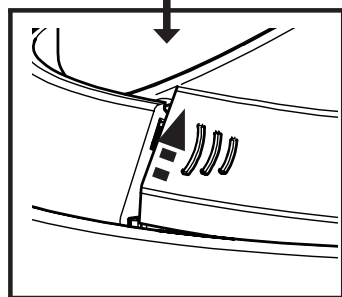
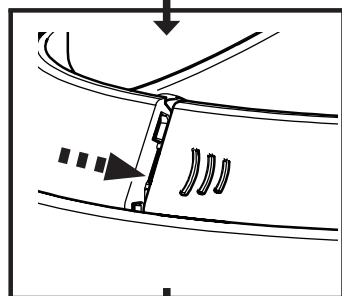
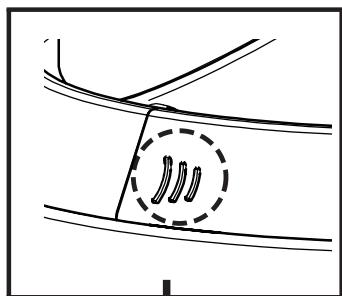
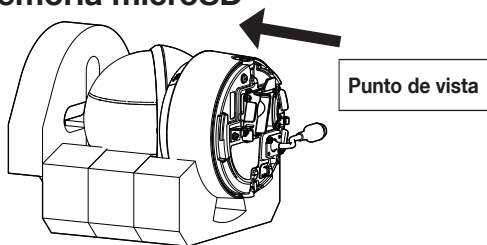
### ■ Común

**Nota:**

La siguiente ilustración muestra la imagen del interior de la caja de embalaje de este producto.



## ■ Al usar una tarjeta de memoria microSD

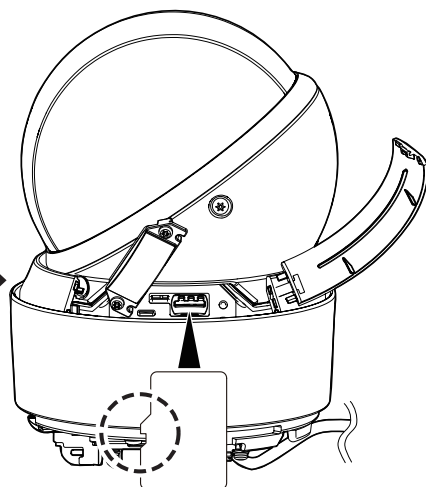
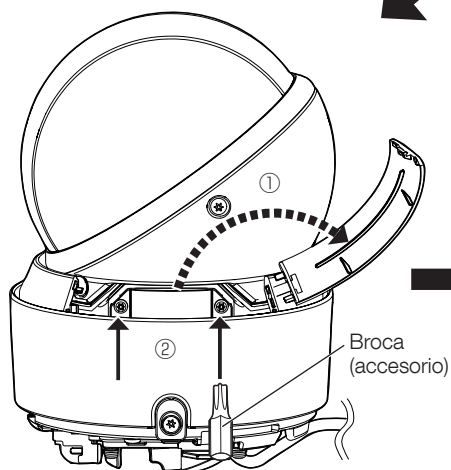
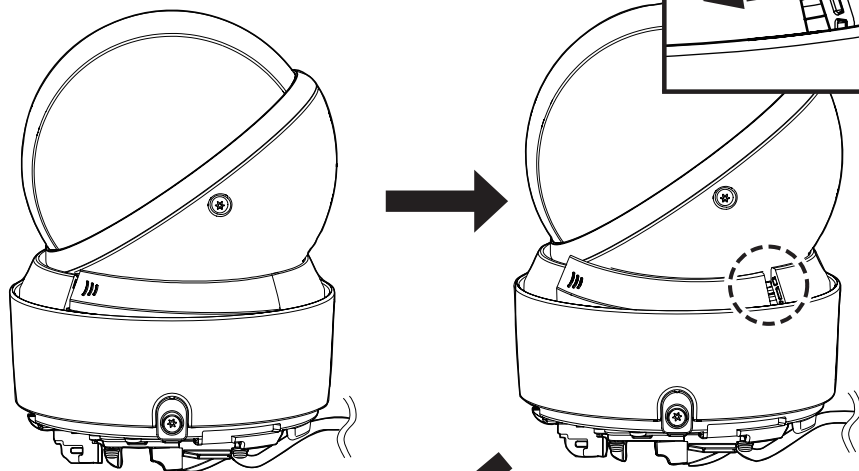
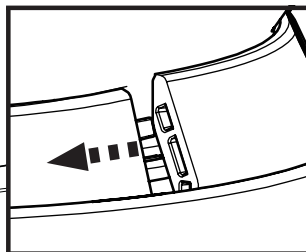


### **Nota:**

Levante la cubierta decorativa enganchando la punta de los dedos en el hueco creado al deslizar la cubierta decorativa.

## ■ Al usar una tarjeta de memoria microSD (continuación)

- Deslice la cubierta decorativa hacia la izquierda y retire el gancho del extremo derecho.
- Inserte una tarjeta de memoria microSD en la ranura SD.

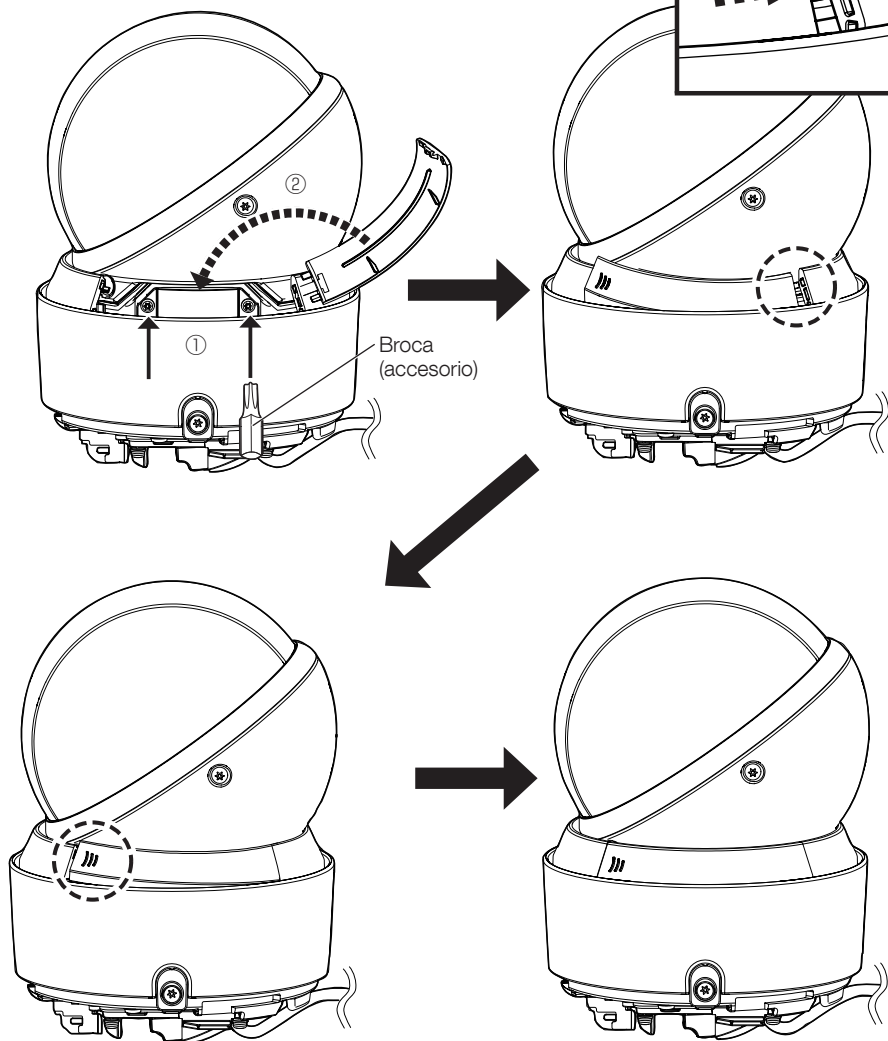
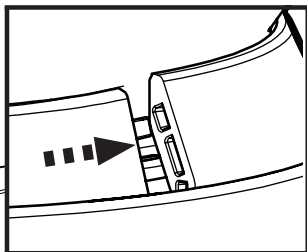


- User manual [Format]
- Emplee una tarjeta de memoria microSD dedicada para cámaras i-PRO.

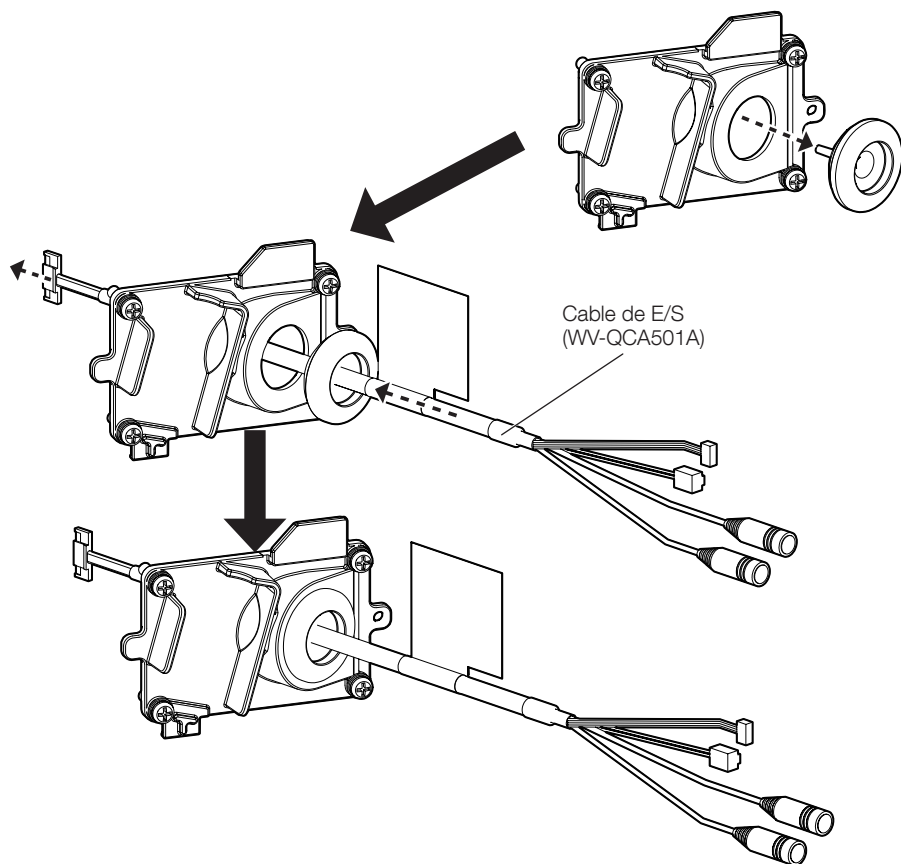
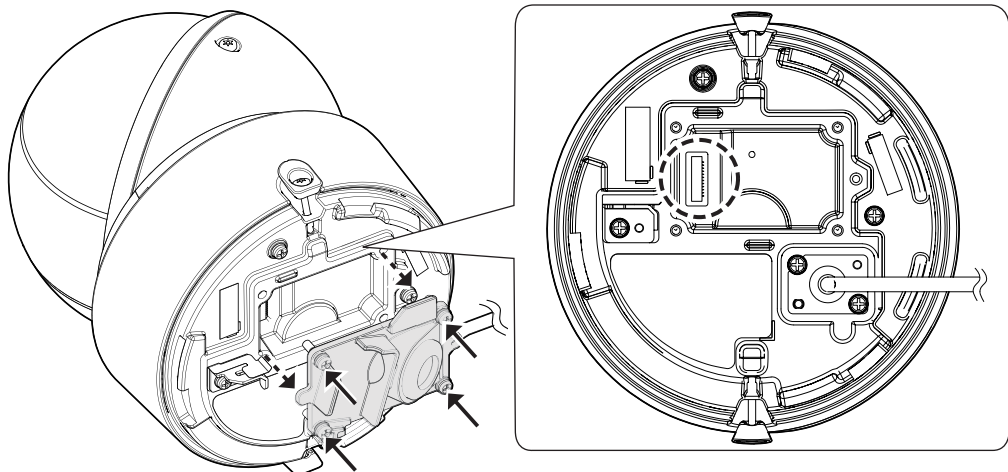
## ■ Al usar una tarjeta de memoria microSD (continuación)



Torsión de apriete recomendada:  
0,78 N·m

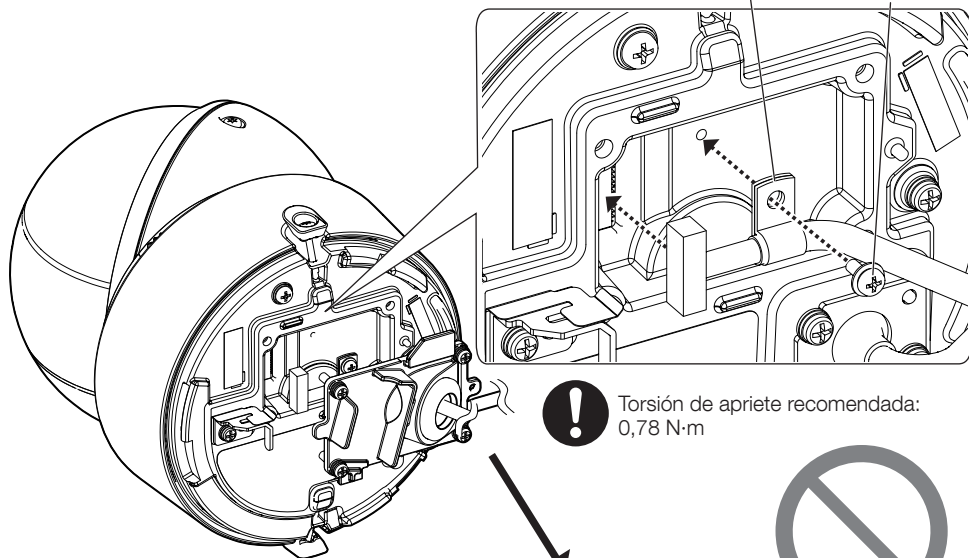


■ Al usar un cable de E/S (WV-QCA501A)

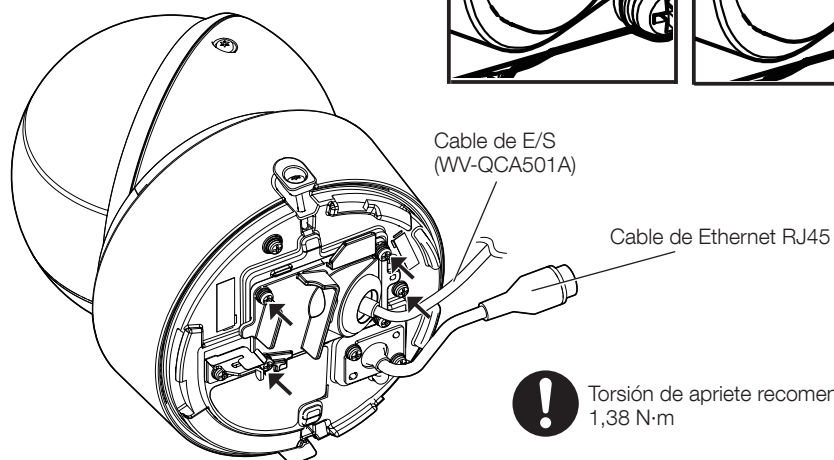
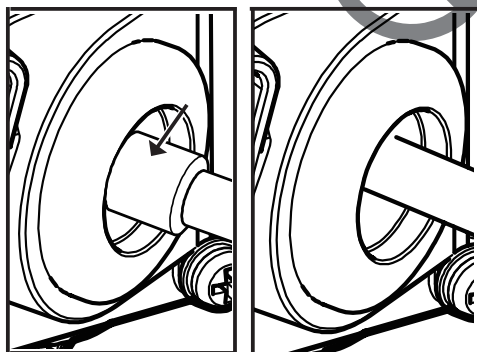


## ■ Al usar un cable de E/S (WV-QCA501A) (continuación)

Abrazadera (accesorio) Tornillo de fijación (M3: accesorio)



! Torsión de apriete recomendada: 0,78 N·m



Cable de E/S (WV-QCA501A)

Cable de Ethernet RJ45

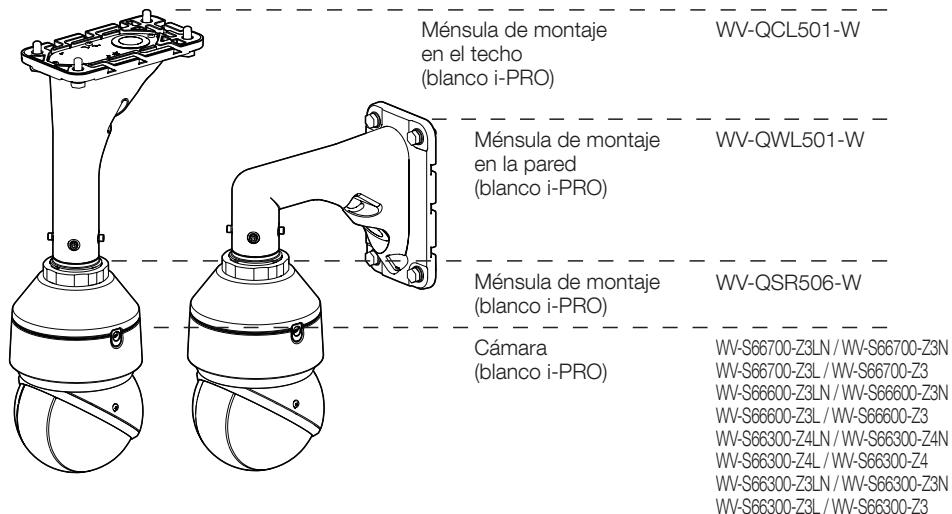
! Torsión de apriete recomendada: 1,38 N·m

# Instalación Tipo 1

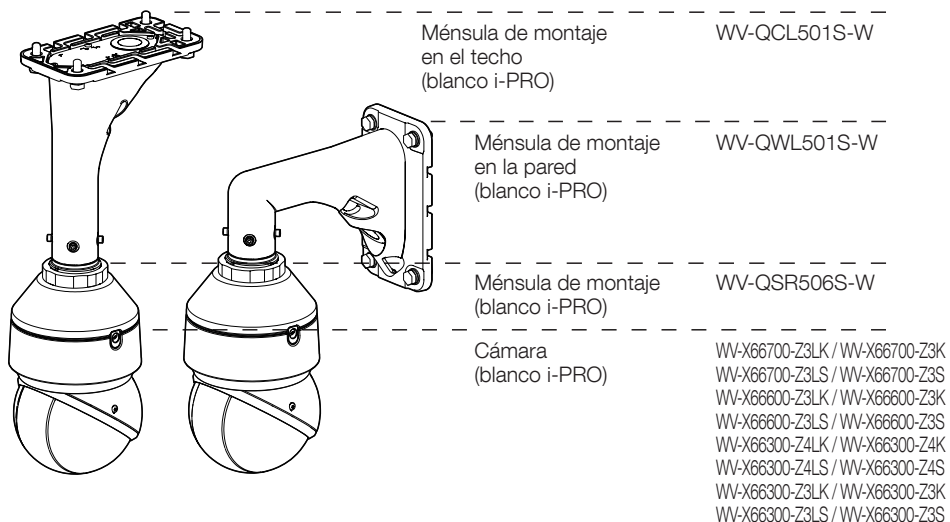
## Paso 2

### Comprobación de la combinación de ménsulas

#### ■ Instalación con especificación normal



#### ■ Instalación con especificación de resistencia a los daños causados por la sal (Gran resistencia a los daños causados por la salinidad)



\* A continuación se describe un ejemplo de instalación de WV-QSR506 y WV-QWL501 en combinación.  
En los demás casos, consulte este manual junto con el manual de instrucciones de las otras ménsulas que vaya a utilizar.

## Paso 3

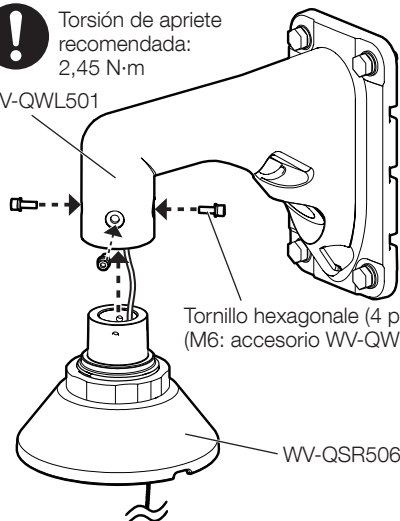
Consulte el manual de instrucciones de la ménsula para saber cómo fijar la WV-QWL501 a la superficie de instalación.

Algunos cables de conexión pueden omitirse en las ilustraciones.



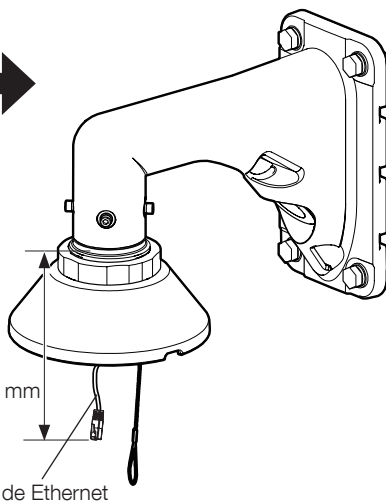
Torsión de apriete  
recomendada:  
2,45 N·m

WV-QWL501



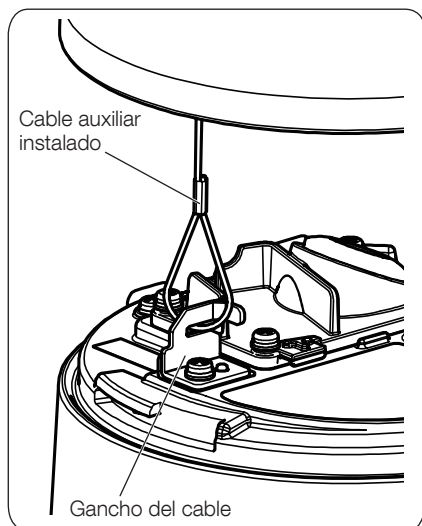
Tornillo hexagonal (4 piezas)  
(M6: accesorio WV-QWL501)

WV-QSR506



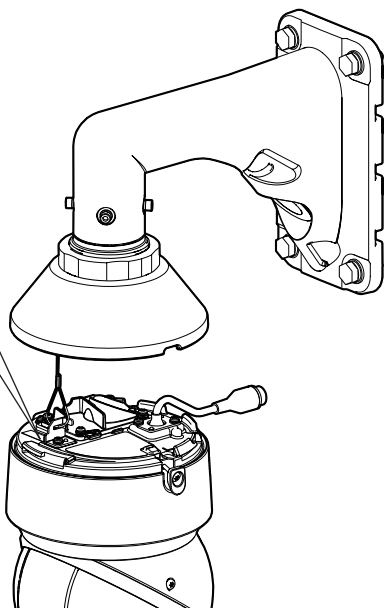
200 mm

Cable de Ethernet



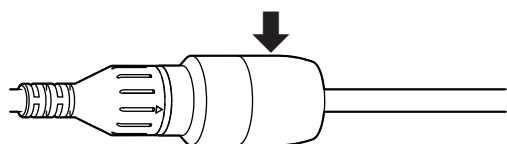
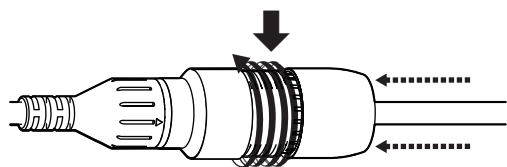
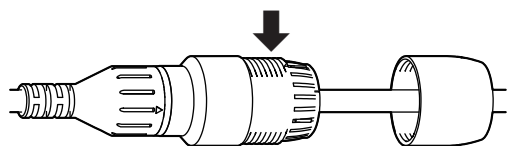
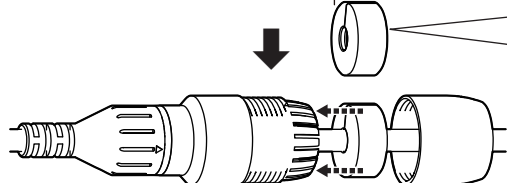
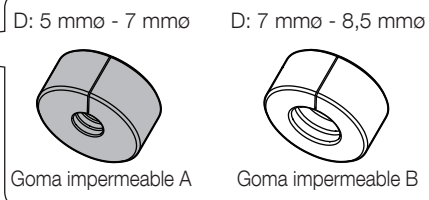
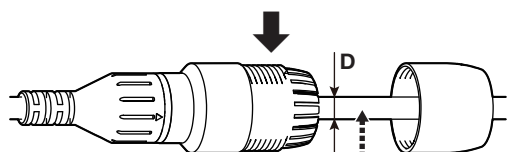
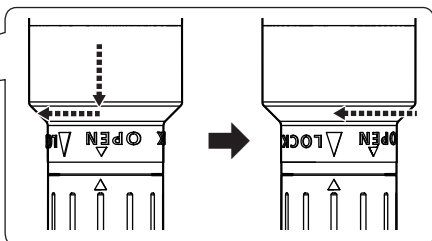
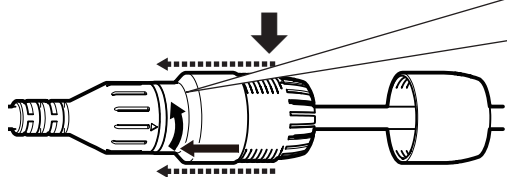
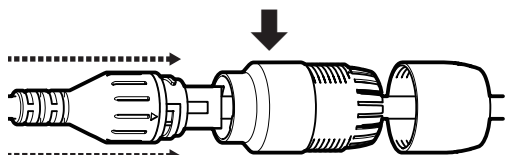
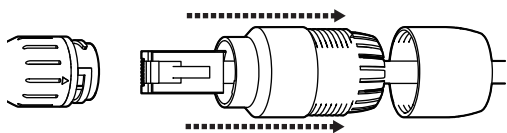
Cable auxiliar  
instalado

Gancho del cable



# Paso 4

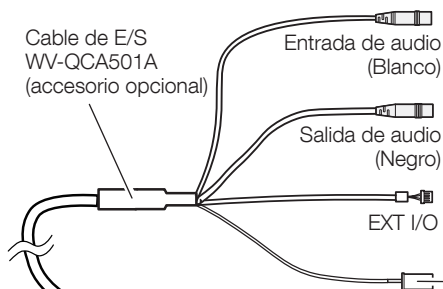
## ■ Conector impermeable RJ45



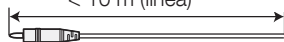
\* Si es necesario, refuerce la impermeabilidad con cinta impermeable (accesorio). Tenga en cuenta que el uso de cinta impermeable puede dificultar el cableado.

# Paso 5

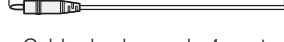
## ■ Al usar un cable de E/S



< 1 m (micrófono)  
< 10 m (línea)



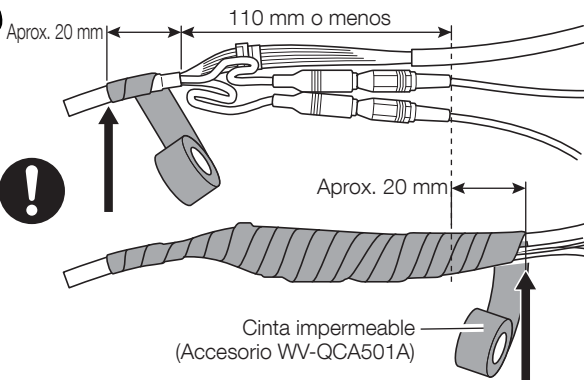
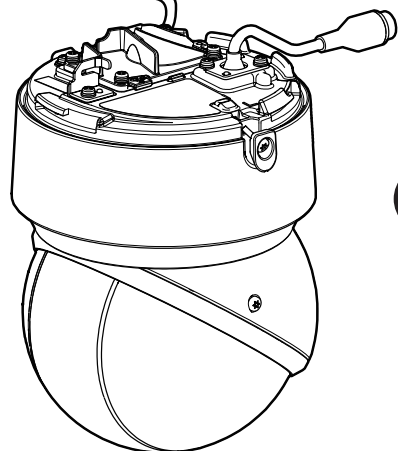
< 10 m



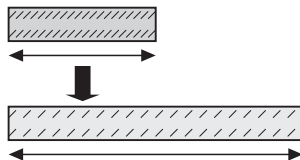
Cable de alarma de 4 contactos  
(Accesorio WV-QCA501A)

- GND (Negro)
- ALARM IN3 (Gris)
- ALARM IN2 (Rojo)
- ALARM IN1 (Verde)

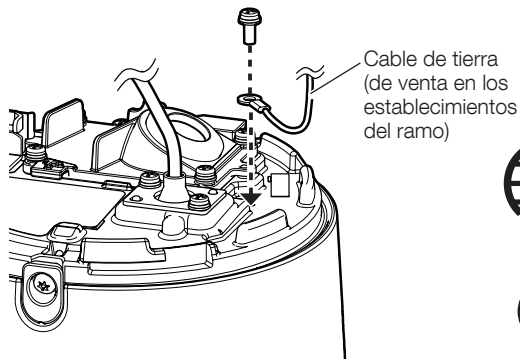
- Este cable no debe usarse. Aplique impermeabilidad también a este cable y a otros cables.



Estire la cinta impermeable aproximadamente el doble de la longitud que se usará.



## ■ Cable de tierra



Sitio web de información técnica  
"Countermeasure for Lightning Surge"  
<N.º de control: C0121>

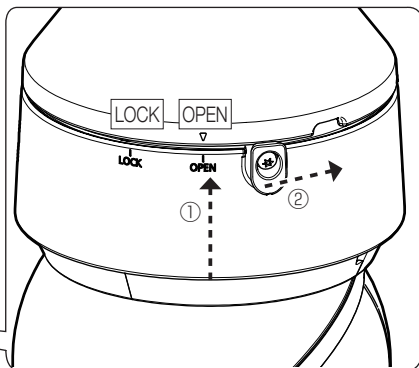
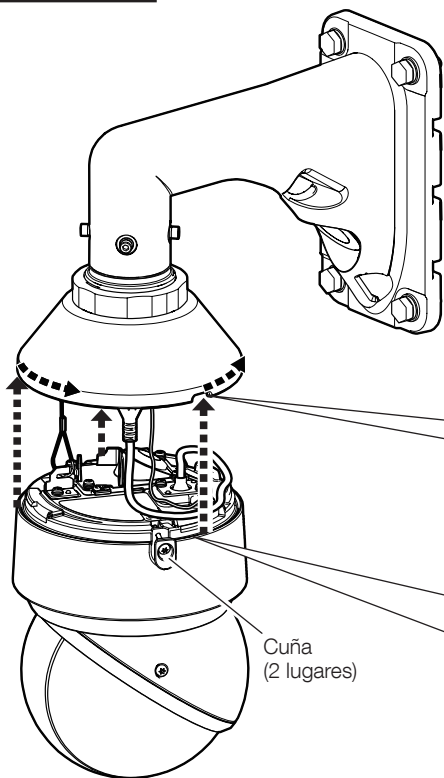


Torsión de apriete recomendada:  
0,78 N·m

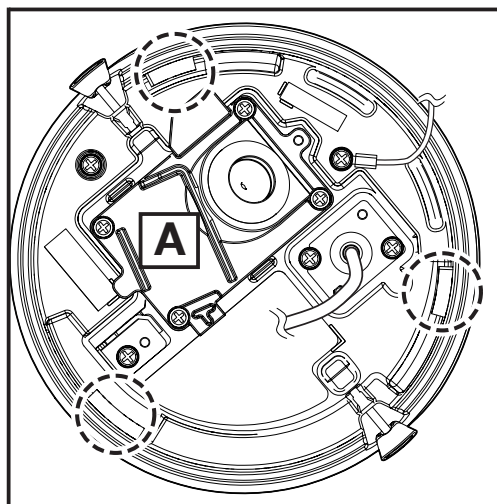
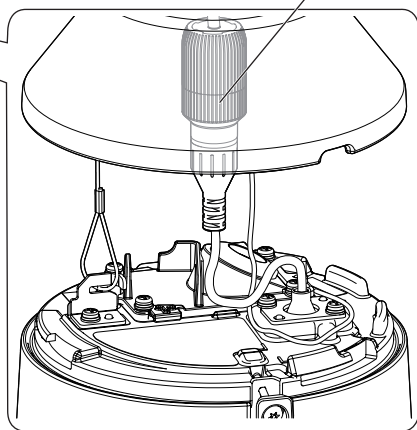
## Paso 6



- Antes de asegurar temporalmente la cámara a la ménsula, retire la cinta que sujeta las secciones de cuña izquierda y derecha y asegúrese de que las roscas no queden atrapadas.



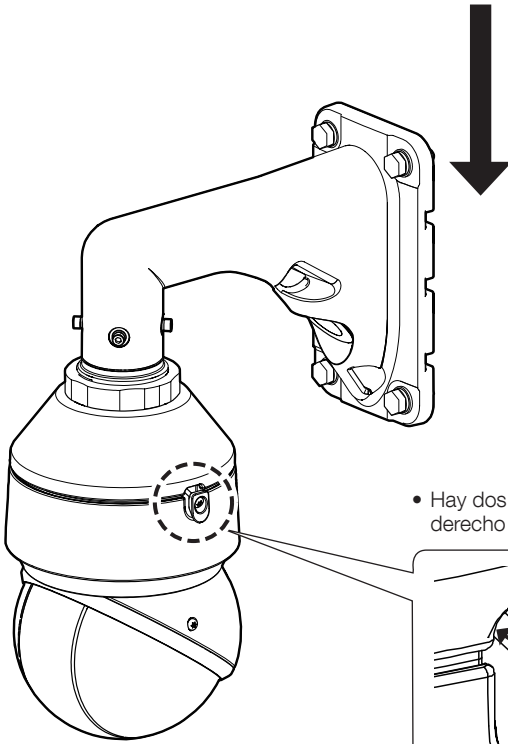
Conector impermeable RJ45 (accesorio)



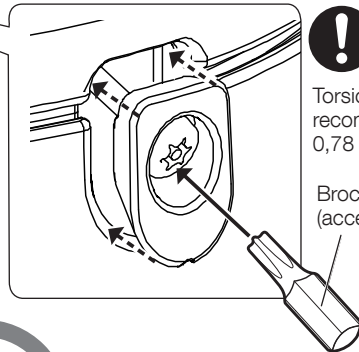
- Cuando utilice un cable de E/S, coloque los cables envueltos con cinta impermeable (accesorio) en la parte **A** de la ilustración izquierda.



Consulte la Guía web

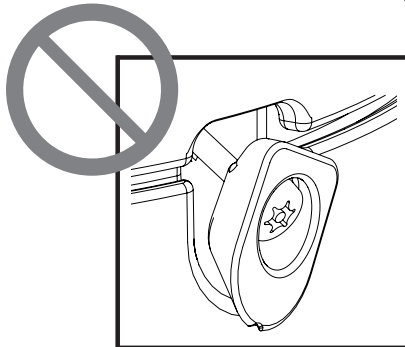


- Hay dos tornillos de fijación, uno en el lado derecho y otro en el izquierdo.



Torsión de apriete recomendada:  
0,78 N·m

Broca  
(accesorio)



**Tipo 1 Acabado**

# Instalación Tipo 2

## Paso 2

### Comprobación de la combinación de ménsulas

ISO

ANSI

Ménsula de venta en los establecimientos del ramo

Ménsula de montaje (blanco i-PRO)

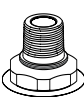
WW-QSR506F-W  
WW-QSR506M-W

WW-QSR506F1-W  
WW-QSR506M1-W

Cámara (blanco i-PRO)

WW-S66700-Z3LN / WW-S66700-Z3N  
WW-S66700-Z3L / WW-S66700-Z3  
WW-S66600-Z3LN / WW-S66600-Z3N  
WW-S66600-Z3L / WW-S66600-Z3

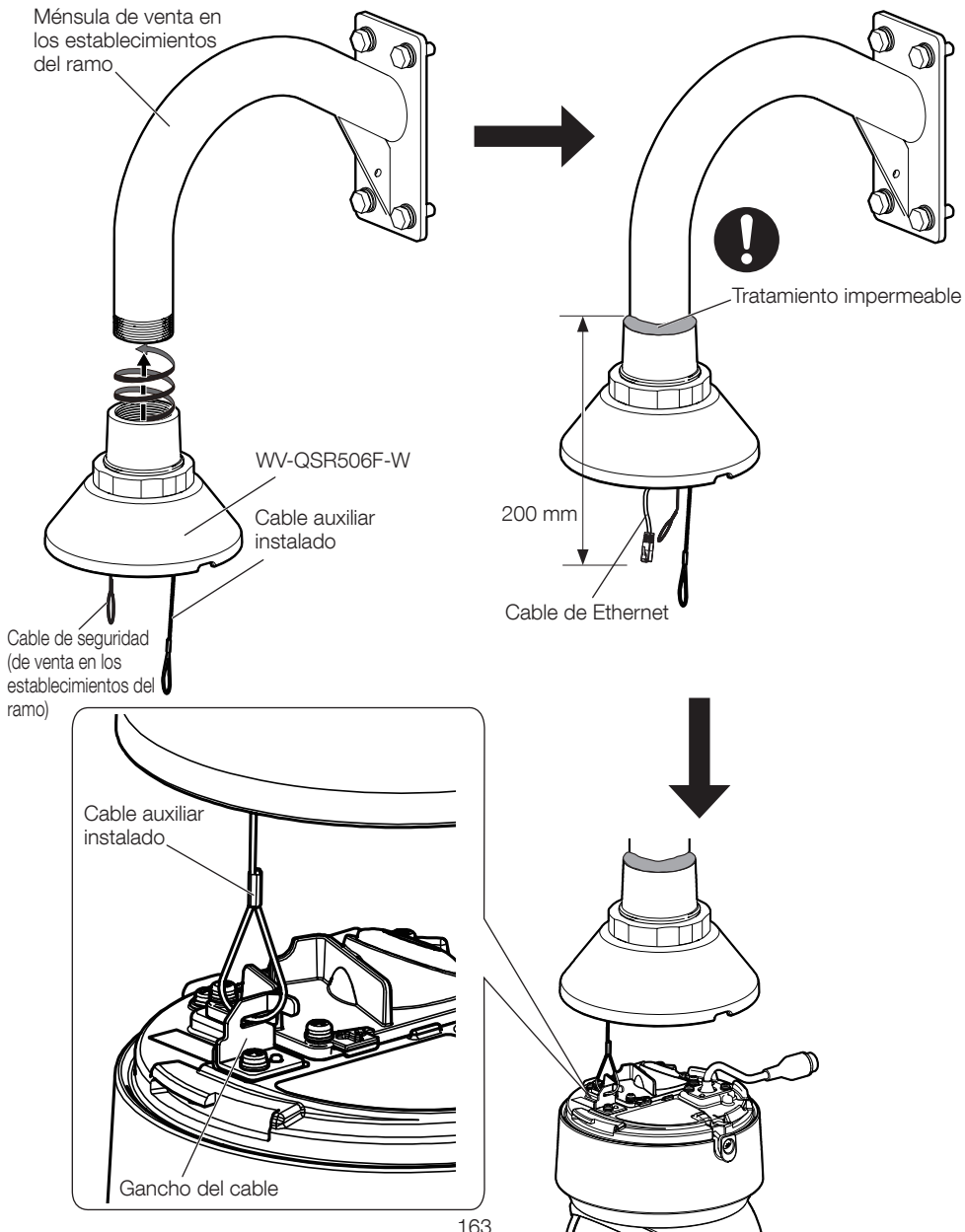
WW-S66300-Z4LN / WW-S66300-Z4N  
WW-S66300-Z4L / WW-S66300-Z4  
WW-S66300-Z3LN / WW-S66300-Z3N  
WW-S66300-Z3L / WW-S66300-Z3

	Especificaciones de las piezas de conexión de este producto		Ménsula de montaje correspondiente a este producto
WW-QSR506F-W	<b>Rosca de tubo paralela hembra (ISO)</b> 40A, Rp 1-1/2, 11 cresta, profundidad 25,4 mm		<b>De venta en los establecimientos del ramo</b> 40A, R 1-1/2, 11 cresta, longitud 25,4 mm o más (rosca de tubo cónico macho)
WW-QSR506F1-W	<b>Rosca de tubo paralela hembra (ANSI)</b> 40A, NPSC 1-1/2, 11,5 cresta, profundidad 25,4 mm		<b>De venta en los establecimientos del ramo</b> 40A, NPT 1-1/2, 11,5 cresta, longitud 25,4 mm o más (rosca de tubo cónico macho)
WW-QSR506M-W	<b>Rosca de tubo cónico macho (ISO)</b> 40A, R 1-1/2, 11 cresta, longitud 25,4 mm		<b>De venta en los establecimientos del ramo</b> 40A, Rp 1-1/2, 11 cresta, profundidad 25,4 mm o más (rosca de tubo paralela hembra)
WW-QSR506M1-W	<b>Rosca de tubo cónico macho (ANSI)</b> 40A, NPT 1-1/2, 11,5 cresta, longitud 25,4 mm		<b>De venta en los establecimientos del ramo</b> 40A, NPSC 1-1/2, 11,5 cresta, profundidad 25,4 mm o más (rosca de tubo paralela hembra)

## Paso 3

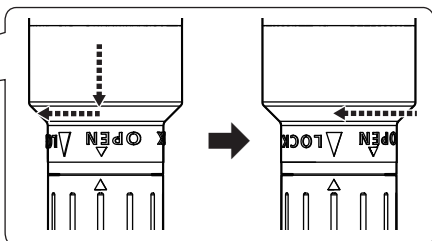
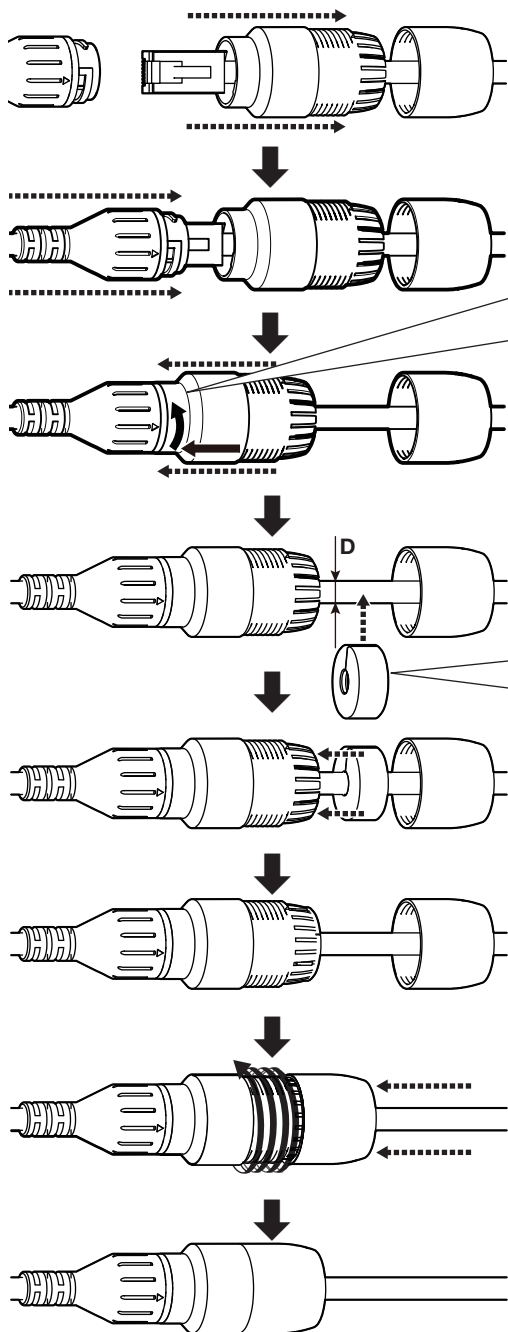
A continuación se describe la descripción de la instalación de WV-QSR506F-W y la ménsula de venta en los establecimientos del ramo en combinación.

Consulte la guía de instalación de WV-QSR506 para obtener información detallada sobre los procedimientos de instalación, por ejemplo, cómo fijar el cable de seguridad. Algunos cables de conexión pueden omitirse en las ilustraciones.



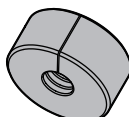
# Paso 4

## ■ Conector impermeable RJ45



D: 5 mmø - 7 mmø

D: 7 mmø - 8,5 mmø



Goma impermeable A

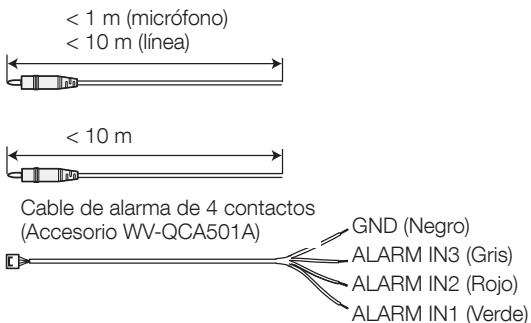
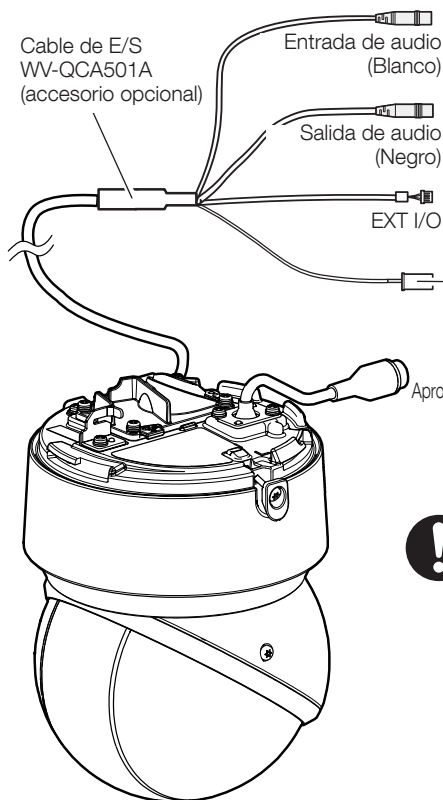


Goma impermeable B

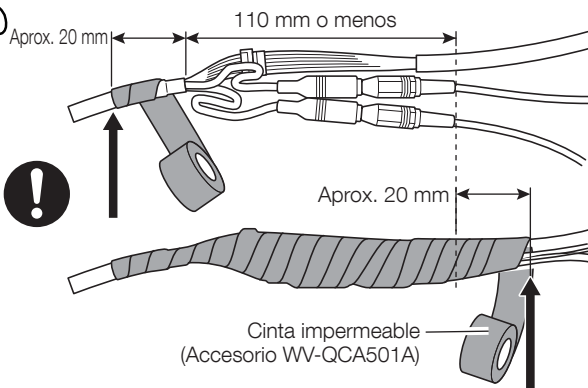
\* Si es necesario, refuerce la impermeabilidad con cinta impermeable (accesorio). Tenga en cuenta que el uso de cinta impermeable puede dificultar el cableado.

# Paso 5

## ■ Al usar un cable de E/S

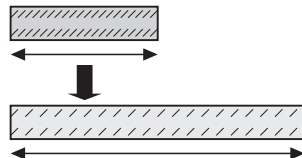
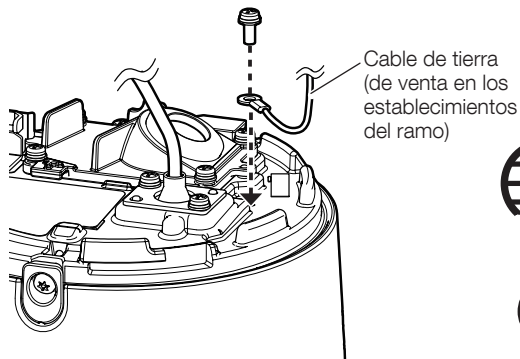


- Este cable no debe usarse. Aplique impermeabilidad también a este cable y a otros cables.



Estire la cinta impermeable aproximadamente el doble de la longitud que se usará.

## ■ Cable de tierra



Sitio web de información técnica  
"Countermeasure for Lightning Surge"  
<N.º de control: C0121>

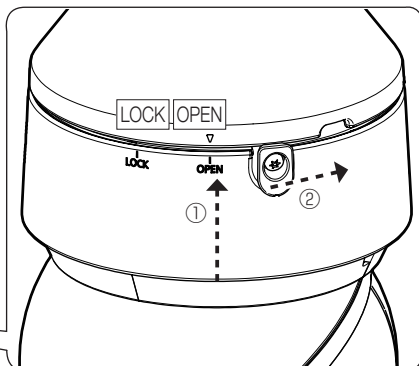
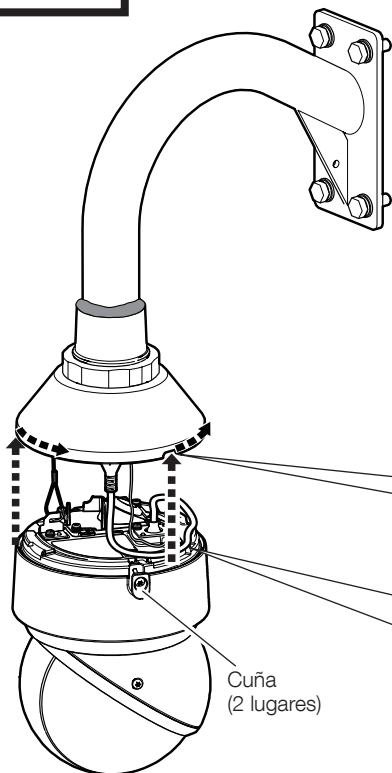


Torsión de apriete recomendada:  
0,78 N·m

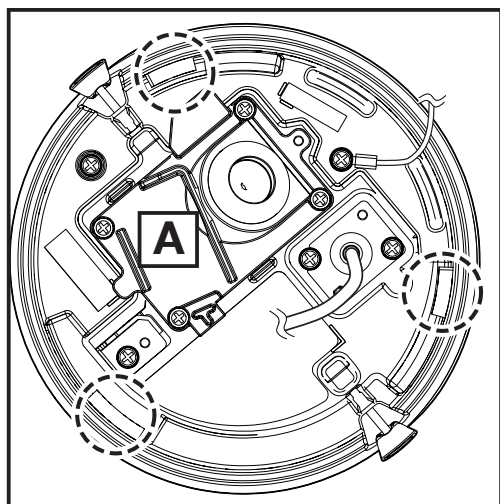
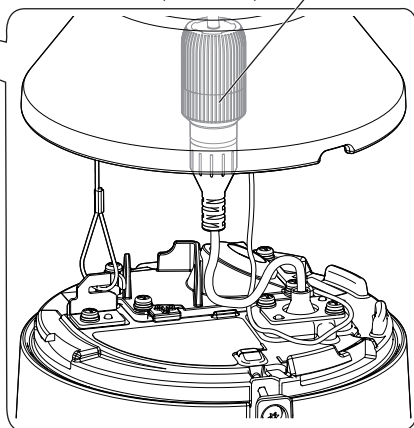
## Paso 6



- Antes de asegurar temporalmente la cámara a la ménsula, retire la cinta que sujeta las secciones de cuña izquierda y derecha y asegúrese de que las roscas no queden atrapadas.



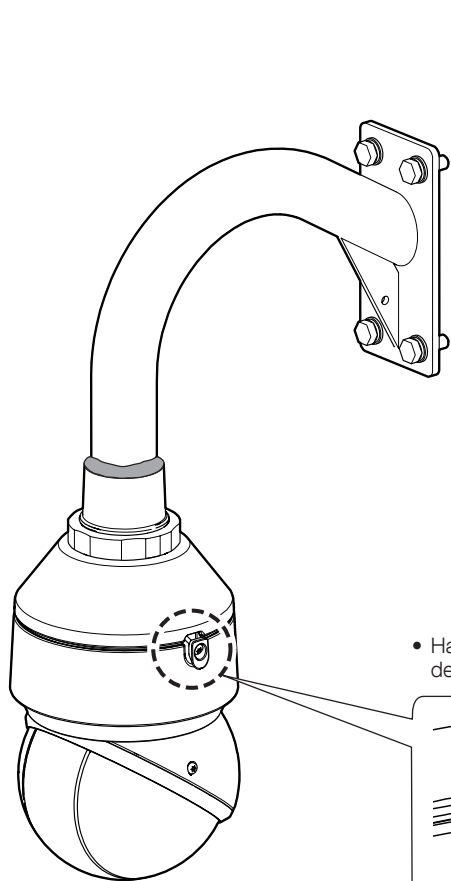
Conector impermeable RJ45  
(accesorio)



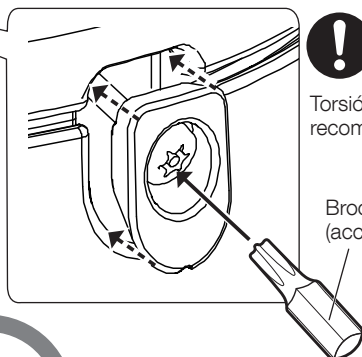
- Cuando utilice un cable de E/S, coloque los cables envueltos con cinta impermeable (accesorio) en la parte **A** de la ilustración izquierda.



Consulte la Guía web

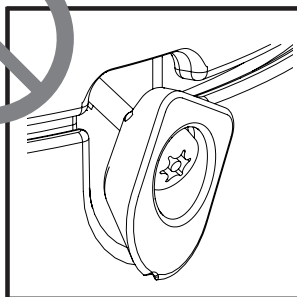
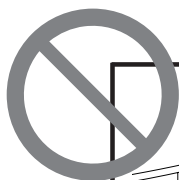


- Hay dos tornillos de fijación, uno en el lado derecho y otro en el izquierdo.



Torsión de apriete recomendada: 0,78 N·m

Broca (accesorio)

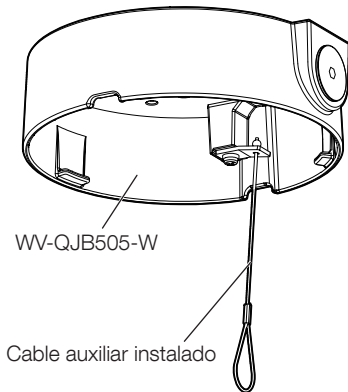


**Tipo 2 Acabado**

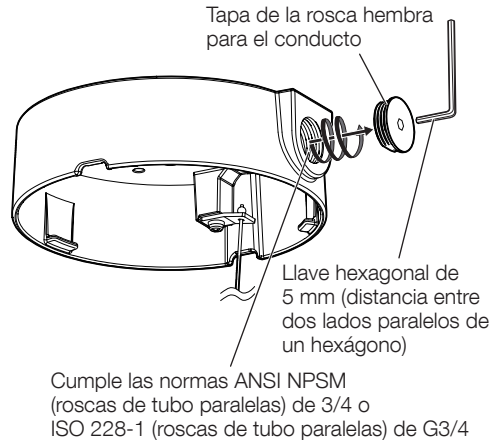
# Instalación Tipo 3

## Paso 2

<Al cablear desde el techo>

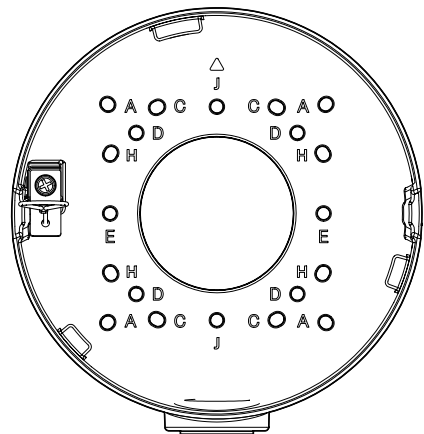


<Al usar el conducto>



## Paso 3

Esta placa se puede fijar en las seis posiciones de atornillado siguientes según el estado de la superficie de instalación. Utilice los mismos orificios de montaje de A a J.

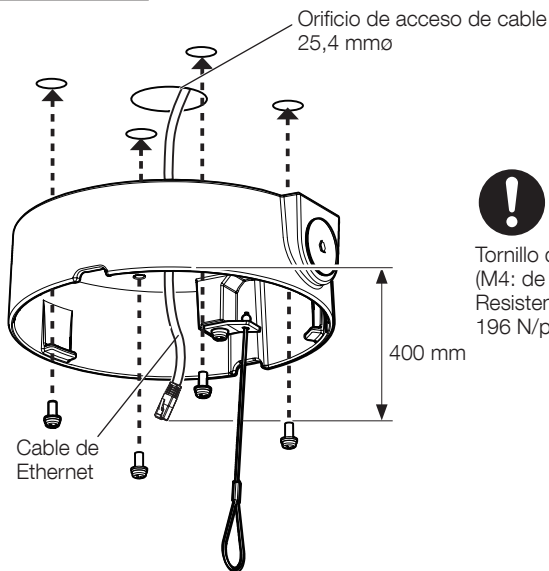


\* Al instalar a una sola caja de fusibles, fije con dos tornillos de sujeción (M4: de venta en los establecimientos del ramo).

	Longitud	Anchura
A	85 mm (85,7 mm)	85 mm (85,7 mm)
C	83,5 mm (83,3 mm)	46 mm (47,6 mm)
D	63 mm	63 mm
E*	–	83,5 mm
H	46 mm (47,6 mm)	83,5 mm (83,3 mm)
J*	83,5 mm	–

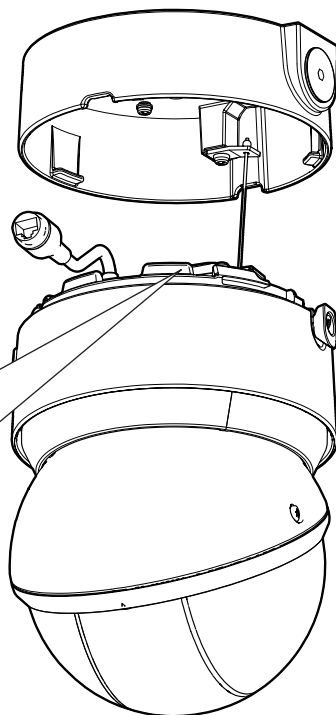
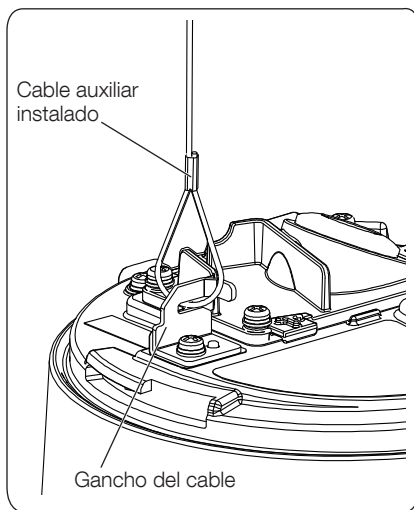
## Paso 3

(continuación)



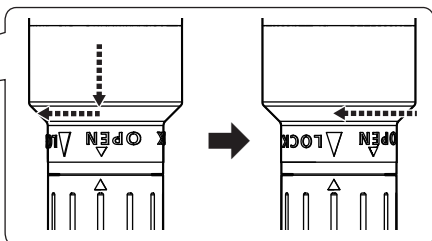
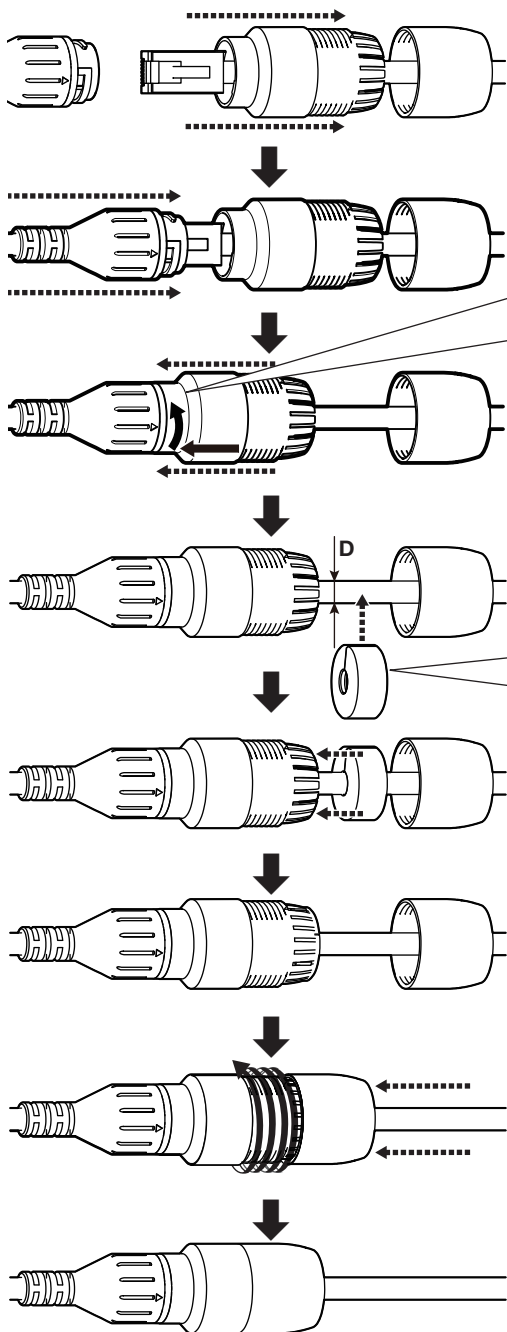
Tornillo de fijación (4 piezas)  
(M4: de venta en los establecimientos del ramo)  
Resistencia mínima al tiro hacia fuera:  
196 N/por 1 pieza

## Paso 4



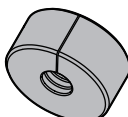
# Paso 5

## ■ Conector impermeable RJ45



D: 5 mmø - 7 mmø

D: 7 mmø - 8,5 mmø



Goma impermeable A

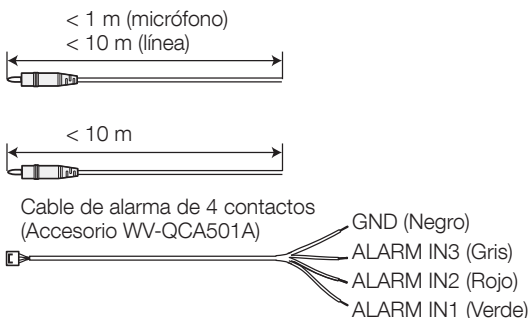
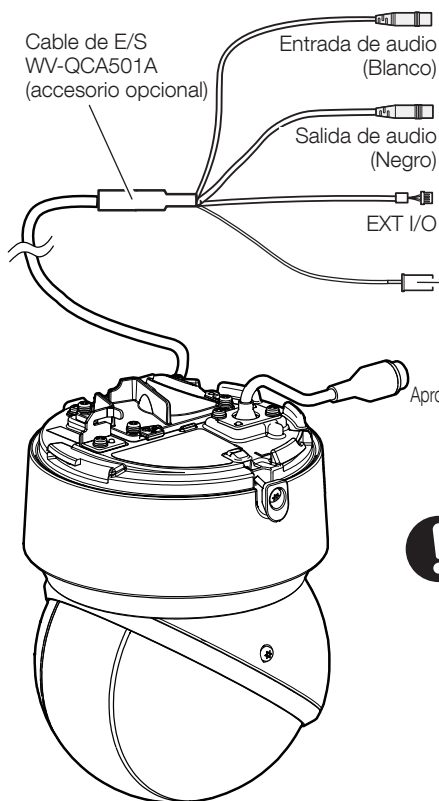


Goma impermeable B

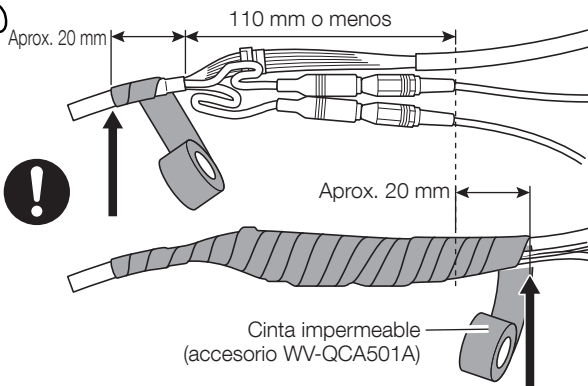
\* Si es necesario, refuerce la impermeabilidad con cinta impermeable (accesorio). Tenga en cuenta que el uso de cinta impermeable puede dificultar el cableado.

# Paso 6

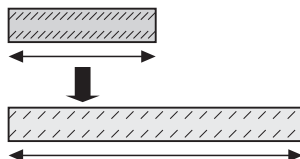
## ■ Al usar un cable de E/S



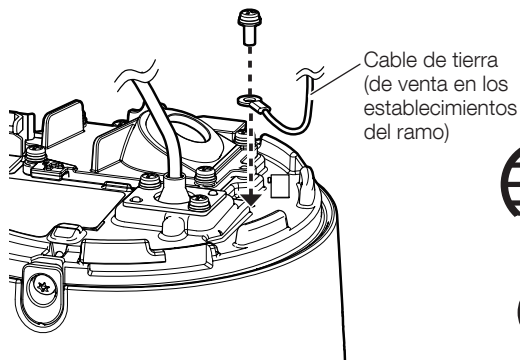
- Este cable no debe usarse. Aplique impermeabilidad también a este cable y a otros cables.



Estire la cinta impermeable aproximadamente el doble de la longitud que se usará.



## ■ Cable de tierra



Sitio web de información técnica  
"Countermeasure for Lightning Surge"  
<N.º de control: C0121>

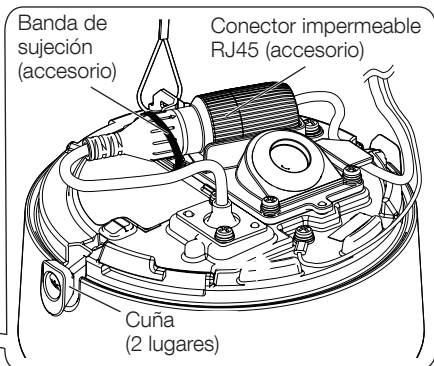
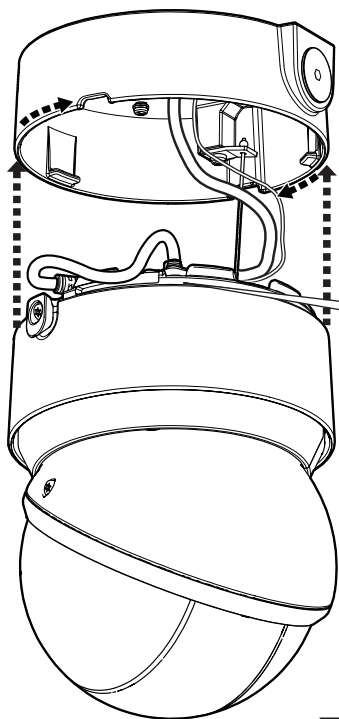


Torsión de apriete recomendada:  
0,78 N·m

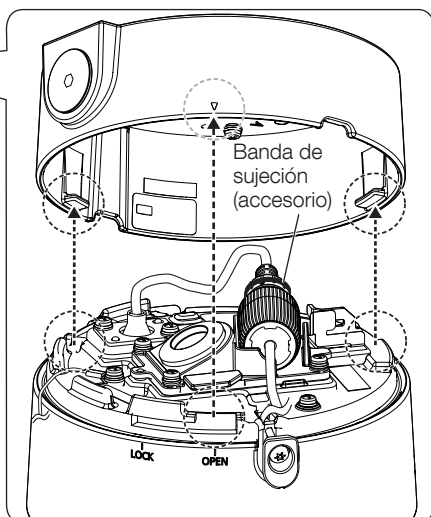
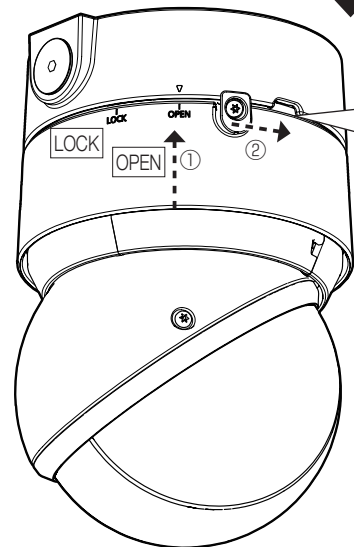
## Paso 7



- Antes de asegurar temporalmente la cámara a la ménsula, retire la cinta que sujeta las secciones de cuña izquierda y derecha y asegúrese de que las roscas no queden atrapadas.



- Fije el conector impermeable RJ45 (accesorio) mediante la banda de sujeción (accesorio) en la posición predeterminada de la cubierta del cable.

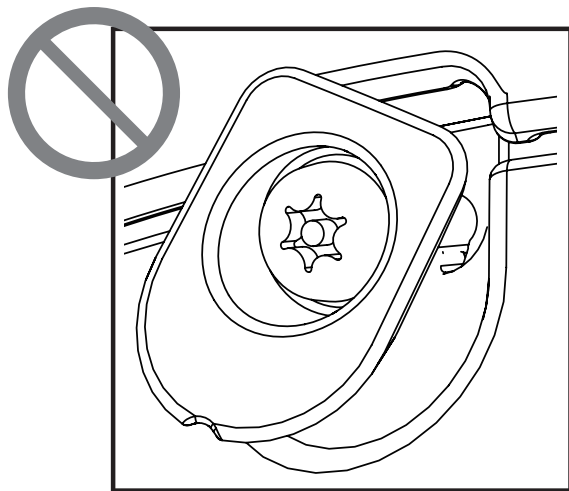
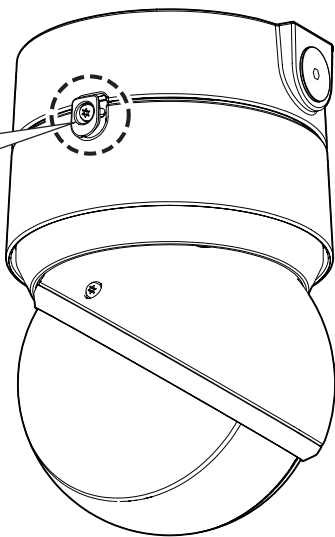
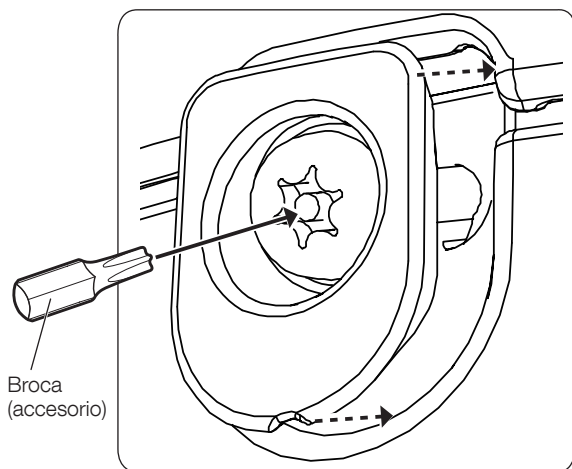


## Paso 8



Torsión de apriete recomendada:  
0,78 N·m

- Hay dos tornillos de fijación, uno en el lado derecho y otro en el izquierdo.



**Tipo 3 Acabado**

## Руководство по монтажу

Входящие в комплект Инструкции по монтажу

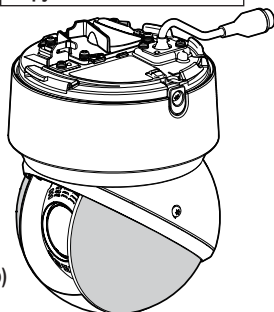
### Сетевая камера

Только для профессионального использования

Наружное использование

Модель № Серии WV-S66700  
Серии WV-S66600  
Серии WV-S66300  
Серии WV-X66700  
Серии WV-X66600  
Серии WV-X66300

(Серии WV-X66x00: Устойчивость к сильному солевому повреждению)



- Номера моделей, рассматриваемых в данной инструкции, описаны на стр. 175.

WV-S66700-Z3LN

### Об инструкциях для пользователя

Документация продукта состоит из следующих документов.

- **Руководство по монтажу (настоящий документ):** Содержит информацию о "Меры предосторожности", "Меры предосторожности при монтаже" и способе монтажа.
- **Веб-руководство (обратитесь по ссылке на следующем веб-сайте с информацией о продукте):** Включает видео по монтажу, базовые функции и базовые способы работы для данного устройства.
- **User manual (Только английский) (обратитесь по ссылке на следующем веб-сайте с информацией о продукте):** В этом разделе приведены инструкции по эксплуатации, общие для всех моделей.  
[https://i-pro.com/products\\_and\\_solutions/en/surveillance/documentation-database](https://i-pro.com/products_and_solutions/en/surveillance/documentation-database)



"<Контрольный №: С\*\*\*\*>", используемый в этих документах, следует использовать для поиска информации на нашем веб-сайте технической информации ([https://i-pro.com/products\\_and\\_solutions/en/surveillance/learning-and-support/knowledge-base/technical-information](https://i-pro.com/products_and_solutions/en/surveillance/learning-and-support/knowledge-base/technical-information)) и нахождения нужной информации.

- Прежде чем приступить к подсоединению или управлению настоящим изделием, следует тщательно изучить настоящую инструкцию и сохранить брошюру "Important Safety Instructions" для использования в будущем.
- Карта памяти microSDXC/ microSDHC/ microSD обозначается как карта памяти microSD.
- Внешний вид и прочие детали, показанные в данном руководстве, могут отличаться от фактического изделия в пределах, когда это не помешает нормальному использованию по причине улучшения изделия.



i-PRO Co., Ltd.

Tokyo, Japan

<https://www.i-pro.com/>

Authorised Representative in EU:  
i-PRO EMEA B.V.  
Laarderhoogtweg 25, 1101 EB  
Amsterdam, Netherlands

i-PRO EMEA B.V. UK Branch  
1010 Cambourne Business Park,  
Cambridgeshire CB23 6DP



- Данная инструкция охватывает следующие модели.

■ Обычные модели:

Серии WV-S66700 (WV-S66700-Z3LN<sup>\*1\*3</sup>, WV-S66700-Z3N<sup>\*1\*4</sup>, WV-S66700-Z3L<sup>\*2\*3</sup>, и WV-S66700-Z3<sup>\*2\*4</sup>)

Серии WV-S66600 (WV-S66600-Z3LN<sup>\*1\*3</sup>, WV-S66600-Z3N<sup>\*1\*4</sup>, WV-S66600-Z3L<sup>\*2\*3</sup>, и WV-S66600-Z3<sup>\*2\*4</sup>)

Серии WV-S66300 (WV-S66300-Z4LN<sup>\*1\*3</sup>, WV-S66300-Z3LN<sup>\*1\*3</sup>, WV-S66300-Z4N<sup>\*1\*4</sup>, WV-S66300-Z3N<sup>\*1\*4</sup>, WV-S66300-Z4L<sup>\*2\*3</sup>, WV-S66300-Z3L<sup>\*2\*3</sup>, WV-S66300-Z4<sup>\*2\*4</sup>, и WV-S66300-Z3<sup>\*2\*4</sup>)

■ Модели с устойчивостью к сильным соляным повреждениям (серии WV-X66x00):

Серии WV-X66700 (WV-X66700-Z3LK<sup>\*1\*3</sup>, WV-X66700-Z3K<sup>\*1\*4</sup>, WV-X66700-Z3LS<sup>\*2\*3</sup>, и WV-X66700-Z3S<sup>\*2\*4</sup>)

Серии WV-X66600 (WV-X66600-Z3LK<sup>\*1\*3</sup>, WV-X66600-Z3K<sup>\*1\*4</sup>, WV-X66600-Z3LS<sup>\*2\*3</sup>, и WV-X66600-Z3S<sup>\*2\*4</sup>)

Серии WV-X66300 (WV-X66300-Z4LK<sup>\*1\*3</sup>, WV-X66300-Z3LK<sup>\*1\*3</sup>, WV-X66300-Z4K<sup>\*1\*4</sup>, WV-X66300-Z3K<sup>\*1\*4</sup>, WV-X66300-Z4LS<sup>\*2\*3</sup>, WV-X66300-Z3LS<sup>\*2\*3</sup>, WV-X66300-Z4S<sup>\*2\*4</sup>, и WV-X66300-Z3S<sup>\*2\*4</sup>)

\*1 Модель с покрытием ClearSight

\*2 Модель без покрытия ClearSight

\*3 Модель с освещением ИК светодиодами

\*4 Модель без освещения ИК светодиодами

## [Русский язык]

### **Декларация о Соответствии Требованиям Технического Регламента об Ограничении Использования некоторых Вредных Веществ в электрическом и электронном оборудовании (утверждённого Постановлением №1057 Кабинета Министров Украины)**

Изделие соответствует требованиям Технического Регламента об Ограничении Использования некоторых Вредных Веществ в электрическом и электронном оборудовании (ТР ОИВВ).

Содержание вредных веществ в случаях, не предусмотренных Дополнением №2 ТР ОИВВ:

1. свинец (Pb) – не превышает 0,1 % веса вещества или в концентрации до 1000 миллионных частей;
2. кадмий (Cd) – не превышает 0,01 % веса вещества или в концентрации до 100 миллионных частей;
3. ртуть (Hg) – не превышает 0,1 % веса вещества или в концентрации до 1000 миллионных частей;
4. шестивалентный хром (Cr6+) – не превышает 0,1 % веса вещества или в концентрации до 1000 миллионных частей;
5. полибромбифенолы (PBB) – не превышает 0,1 % веса вещества или в концентрации до 1000 миллионных частей;
6. полибромдифеноловые эфиры (PBDE) – не превышает 0,1 % веса вещества или в концентрации до 1000 миллионных частей.

## [Українська мова]

### **Декларация про Відповідність Вимогам Технічного Регламенту Обмеження Використання деяких Небезпечних Речовин в електричному та електронному обладнанні (затвердженого Постановою №1057 Кабінету Міністрів України)**

Виріб відповідає вимогам Технічного Регламенту Обмеження Використання деяких Небезпечних Речовин в електричному та електронному обладнанні (ТР ОВНП).

Вміст небезпечних речовин у випадках, не обумовлених в Додатку №2 ТР ОВНП, :

1. свинець(Pb) – не перевищує 0,1 % ваги речовини або в концентрації до 1000 частин на мільйон;
2. кадмій (Cd) – не перевищує 0,01 % ваги речовини або в концентрації до 100 частин на мільйон;
3. ртуть(Hg) – не перевищує 0,1 % ваги речовини або в концентрації до 1000 частин на мільйон;
4. шестивалентний хром (Cr6+) – не перевищує 0,1 % ваги речовини або в концентрації до 1000 частин на мільйон;
5. полібромбифеноли (PBB) – не перевищує 0,1 % ваги речовини або в концентрації до 1000 частин на мільйон;
6. полібромдифенілові ефіри (PBDE) – не перевищує 0,1 % ваги речовини або в концентрації до 1000 частин на мільйон.

## Информация об изделии

Страна-производитель	Сделано в Китае
Название производителя	i-PRO Co., Ltd.
Местонахождение производителя	2-15-1 Конан, Минато-ку, Токио 108-6014 Япония
Год/месяц производства	Первая буква серийного номера изделия указывает две последние цифры года: пример) 2001: A, 2002: B, ... 2025: Y 2-ая буква серийного номера продукта указывает месяц (с января по декабрь). пример) Январь: A, Февраль: B, ... Декабрь: L

### < Предупреждение >

Следуйте нижеприведённым правилам, если иное не указано в других документах.

1. Устанавливайте прибор на твёрдой плоской поверхности, за исключением отсоединяемых или несъёмных частей.
2. Хранить в сухом, закрытом помещении.
3. Во время транспортировки не бросать, не подвергать излишней вибрации или ударам о другие предметы.
4. Утилизировать в соответствии с национальным и/или местным законодательством.

Правила и условия реализации не установлены изготовителем и должны соответствовать национальному и/или местному законодательству страны реализации товара.

### Только для профессионального использования

Срок службы данного изделия устанавливается производителем, равен 7 годам, начиная с даты производства при условии, что изделие используется в строгом соответствии с настоящей инструкцией по эксплуатации и применимыми техническими стандартами.

### Информация по обращению с отходами для стран, не входящих в Европейский Союз



Действие этого символа распространяется только на Европейский Союз. Если Вы собираетесь выбросить данный продукт, узнайте в местных органах власти или у дилера, как следует поступать с отходами такого типа.

## ПРЕДУПРЕЖДЕНИЕ:


- Эксплуатация данного продукта в жилых районах может вызвать радиопомехи.


## Внимание:

- Источник пост.т., подключенный к камере, должен находиться в том же здании.
- Сетевая камера предназначена только для подключения к сети Ethernet или PoE без маршрутизации на линейные сооружения.
- Данный продукт не имеет выключателя сети. Обязательно установите отключающие устройства, такие как автоматический выключатель, для отключения основного питания оборудования, использующегося для подачи питания на данное изделие.
- Прежде чем приступить к подсоединению или управлению настоящим изделием, следует тщательно изучить настоящую инструкцию.

## Примечание:

- Данный продукт не подходит для использования в местах, где могут находиться дети.
- Не устанавливайте данное устройство в легкодоступных для обычных людей местах.
- Это изделие является профессиональным оборудованием.
- Для получения информации о винтах и других деталях, необходимых для установки, обратитесь к соответствующему разделу данного документа.

 : Символ постоянного тока

 : Внимание, Инфракрасное излучение

## Меры предосторожности

Во избежание нанесения вреда людям и материального ущерба объясняются требования, которые необходимо неукоснительно соблюдать. Положения техники безопасности, общие для всех моделей сетевых камер i-PRO, размещены на веб-сайте, ссылку на который содержит двухмерный штрих-код справа. Пожалуйста, не забудьте просмотреть его.

[https://i-pro.com/products\\_and\\_solutions/en/surveillance/learning-and-support/knowledge-base/safety-instructions](https://i-pro.com/products_and_solutions/en/surveillance/learning-and-support/knowledge-base/safety-instructions)



### ■ Не устанавливайте данное изделие в ограниченных или запретных зонах.

Несоблюдение этого требования может привести к травме, несчастному случаю или неисправности вследствие падения.

Ознакомьтесь с мерами предосторожности, общими для всех моделей, на указанном выше веб-сайте, а также с мерами предосторожности при монтаже в руководстве по монтажу.

### ■ Монтажные работы следует поручить дилеру.

Монтажные работы требуют технических навыков и опыта. Несоблюдение этого требования может привести к пожару, поражению электрическим током, травмам или повреждению изделия. Нужно обязательно обращаться к дилеру.

### ■ Надежно и точно установите изделие на поверхности установки в соответствии с инструкциями по установке.

Несоблюдение этого требования может привести к травмированию или авариям.

### ■ Примите меры предосторожности против падения данного изделия.

Несоблюдение этого требования может привести к падению устройства, ведущему к травмированию.

Надежно прикрепите изделие к монтажной поверхности с помощью винтов или анкерных болтов. Если прилагается страховочный тросик, обязательно установите его.

### ■ В случае возникновения проблем с настоящим продуктом следует немедленно прекратить его использование.

Когда из прибора выделяется дым, либо пахнет дымом, либо же наружная поверхность прибора испортилась, то продолжительная работа прибора будет приводить к его пожару или падению и, как следствие, к травмированию, авариям или потере свойств.

В этом случае необходимо немедленно отключить прибор от сети питания, затем обратиться к квалифицированному персоналу по техобслуживанию и ремонту.

### ■ Проводите периодические проверки.

Ржавчина металлических деталей или винтов может вызвать падение прибора, ведущее к травмированию или авариям.

За проверками следует обращаться к дилеру.

Перед проверкой или техническим обслуживанием обязательно выключайте питание.

## Меры предосторожности при монтаже

**i-PRO Co., Ltd. не несет ответственности за травмы и материальный ущерб, причиненные вследствие неправильной установки или эксплуатации не в соответствии с данной документацией.**

■ **Чтобы предотвратить травмы, изделие должно быть надежно установлено на монтажный кронштейн согласно указаниям руководства по монтажу.**

■ **Зона под монтаж данного прибора**

В качестве зоны под монтаж прибора (такой как поверхность установки) в особых окружающих условиях выбирают соответствующее место.

- Следует убедиться, что зона под монтаж достаточно прочна для выдерживания массы данного прибора, как бетонный потолок.
  - Следует смонтировать камеру на основание конструкции здания или в месте с достаточно высокой прочностью.
  - Не следует монтировать прибор на гипсокартонную плиту или деревянную плиту, так как они не имеют достаточной прочности для монтажа. В случае вынужденного монтажа прибора на такое место оно (место) должно быть достаточно усилено и укреплено.
  - Камера оснащена функцией защиты от воздействия сильных солевых повреждений, но это не гарантирует полную устойчивость устройства к коррозии. Пожалуйста, обратите внимание на места установки, например, места, где морская вода не попадает напрямую. Проведите обработку от воздействия сильных солевых повреждений основания места установки и опоры установки, таких как крепления для столбов.
- <Серии WV-X66700> <Серии WV-X66600> <Серии WV-X66300>**

■ **Способ установки данного продукта.**

Этот продукт предназначен для использования в качестве подвесной камеры. Если продукт устанавливается на столе или под наклоном, он может работать неправильно, и его срок службы может сократиться.

■ **Не следует устанавливать настоящий продукт в следующих местах:**

- Места, где использован химикат, как плавательный бассейн
  - Места, которые подвержены воздействию влаги или масляных паров, такие как кухня
  - Места со специфической окружающей средой, в которой используются легковоспламеняющиеся продукты или растворители
  - Места, где возникает радиация, рентгеновское излучение, сильные радиоволны или сильное магнитное поле
  - Места вблизи побережья, непосредственно подверженные воздействию морских бризов.
- <Серии WV-S66700> <Серии WV-S66600> <Серии WV-S66300>** или места, подверженные воздействию агрессивных газов, таких как горячие источники, вулканические области и т.д.
- Места, где температура выходит за пределы установленного температурного диапазона
  - Места, подверженные воздействию вибраций, такие как автомобили, морские суда или вышеуказанная линия продуктов (Данный продукт не предназначен для применения в автомобилях.)
  - Места, в которых может образовываться конденсат в результате резких перепадов температуры, например около наружного блока кондиционера.
  - Места рядом с продуктами, содержащими серу, (упаковка, резиновые ножки и т. п.)

■ **Затяжка винтов**

Нельзя использовать ударного винтоверта. Использование ударного винтоверта может вызвать повреждение винтов или их перетяжку.

■ **Об отражении света снаружи и ИК-света**

В зависимости от угла падения внешнего света на экране может появляться ореол. В случае использования ИК-света установка камеры рядом со стеной может стать причиной отражения инфракрасных лучей, что приведет к осветлению части или всего экрана.

- Для поиска примеров изображений и мер по устранению см. на нашем веб-сайте технической информации <Контрольный №: C0109>.

■ **Нужно обращать внимание на влажность**

Данный прибор следует смонтировать в условиях низкой относительной влажности воздуха. Если установка выполняется во время дождя или в условиях повышенной влажности, внутренние детали могут быть подвергнуты воздействию влажности, что приведет к появлению конденсата внутри крышки купола.

■ **Защита от молнии**

Когда кабели используются на улице, существует вероятность, что они могут быть поражены молнией. В этом случае установите грозовой разрядник рядом с камерой и сделайте длину сетевого кабеля камерой и грозовым разрядником максимально возможно короткой для предотвращения повреждения камеры молнией. Посетите наш веб-сайт технической информации <Контрольный №: C0121>

### ■ Когда могут возникать шумовые помехи

В видео или аудио может возникнуть шум вблизи сильного электрического поля от телевизора или радио антенн, электродвигателей и трансформаторов, или сильного электрического поля/магнитного поля от линии электропередачи с переменным током (ламповая линия) 100 V или более. Производите работы по разводке электропитания на расстоянии 1 м и более от них или выполняйте работы по прокладке электрических кабелей с использованием металлических труб. (Обязательно выполните заземление металлических труб).

### ■ Этикетка классификации оборудования и источника питания

См. идентифицирующую этикетку на нижней стороне данного устройства для получения информации о классификации устройства, источнике питания и других данных.

### ■ О статическом электричестве

Прежде чем устанавливать или снимать данное изделие, обязательно коснитесь металлических объектов, чтобы снять статическое электричество с тела.

## Технические характеристики

Питание*1:	<b>&lt;Все модели&gt;</b> PoE++ (IEEE802.3bt-совместимое) <b>&lt;Серии WV-S66300&gt; &lt;Серии WV-X66300&gt;</b> PoE+ (IEEE802.3at-совместимое)*2
Потребляемая мощность*1:	<b>&lt;Модель с освещением ИК светодиодом&gt;</b> PoE++ Пост.т. 54 V : 850 mA / пригл. 45,9 W (устройство класса 6) PoE+ Пост.т. 54 V*2 : 470 mA / пригл. 25,4 W (устройство класса 4) <b>&lt;Модель без освещения ИК светодиодом&gt;</b> PoE++ Пост.т. 54 V : 700 mA / пригл. 37,8 W (устройство класса 6) PoE+ Пост.т. 54 V*2 : 320 mA / пригл. 17,3 W (устройство класса 4)
Условия эксплуатации Температура окружающей среды при эксплуатации:	<b>PoE++</b> -50 °C до +60 °C*3 (Диапазон включения питания: -30 °C до +60 °C) <b>PoE+*2</b> -20 °C до +60 °C*3
Относительная влажность окружающего воздуха при эксплуатации:	10 % до 100 % (без конденсации)
Среда хранения Температура хранения: Влажность при хранении:	-30 °C до +60 °C 10 % до 95 % (без конденсации)
Водонепроницаемый*4:	IP66 (IEC 60529), Тип 4X (UL50E), соответствует NEMA 4X
Сопротивление удару:	IK10 (IEC 62262)
Аэродинамическое сопротивление:	До 40 м/с
Габаритные размеры:	Максимальный диаметр: ø167 мм × 205 мм (H) Купольный радиус: 77,5 мм (за исключением крепежных и выступающих частей)
Масса:	Пригл. 3 кг (за исключением прикрепленных частей)
Отделка:	<b>Корпус камеры:</b> Литой под давлением алюминий, i-PRO белый/черный (Покрытие, обеспечивающее устойчивость к сильному солевому повреждению) <b>&lt;Серии WV-X66700&gt; &lt;Серии WV-X66600&gt; &lt;Серии WV-X66300&gt;</b> Смола ПК, черный <b>Наружные крепежные винты:</b> Нержавеющая сталь (антикоррозионная обработка) <b>Крышка купола:</b> Смола ПК, Прозрачный (с покрытием ClearSight*5)
Проч.:	Износостойкий корпус*6 соответствует NEMA TS2 Максимальная температура согласно NEMA TS 2 (2.2.7): 74 °C

\*1 Посетите наш веб-сайт технической информации <Контрольный №: C0106> для получения дополнительной информации о питании и потребляемой мощности.

\*2 Питание PoE+ поддерживается, начиная с версии программного обеспечения 3.65 и последующих версий. При использовании питания PoE+ функция обогрева всегда выключена, а скорость поворота/наклона объектива ограничена максимум 90°/с.

\*3 При использовании с постоянно горящим ИК-светодиодом верхний предел диапазона рабочих температур составляет +50°C.

\*4 Только тогда, когда монтаж выполнен верно, в соответствии с руководством по монтажу, а также должным образом выполнена гидроизоляция.

\*5 Есть модели, которые оснащены покрытием ClearSight, и модели, которые этим покрытием не обладают.

\*6 Компонент, который имеет структуру, в которую нельзя закрутить винты, доступные после установки, или выкрутить их с помощью обычной отвертки.

## Опционные принадлежности







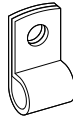

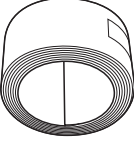

Последняя информация → Веб-сайт технической информации "Accessory Selector"  
<Контрольный №: C0501>

## Дефектовка

Прежде чем запрашивать обслуживание, обратитесь к разделу "Дефектовка" веб-руководства.  
Затем подтвердите наличие проблемы.

## Стандартные аксессуары

Important Safety Instructions..... 1 шт.

 <p>Наконечник ×1 (шестигранный ключ, размер винта 6,35 mm T20)</p>	 <p>Колпачок водонепроницаемого разъема RJ45 ×1</p>	 <p>Водонепроницаемый каучук А ×1 Водонепроницаемый каучук В ×1</p>	 <p>Фиксирующая лента ×2 (1 из них запасная)</p>
 <p>Фиксатор ×1</p>	 <p>Крепежный винт ×2 (1 из них запасной)</p>	 <p>Гидроизоляционная лента ×1</p>	 <p>Этикетка водоотталкива- ющего покрытия ×1 (Только модель с покры- тием ClearSight)</p>

## Другие необходимые элементы (не включены)

- Установочные винты

Способ монтажа	Рекомендуемый винт*1	Миним. прочность на выдергивание*2
Тип 1 WV-QSR506 (Монтажный кронштейн) + WV-QCL501 (Потолочный монтажный кронштейн)	M10 × 30 mm × 4 шт.*3	1411 N
Тип 1 WV-QSR506 (Монтажный кронштейн) + WV-QWL501 (Кронштейн для настенного монтажа)	M10 × 30 mm × 4 шт.*3	823 N
Тип 2 WV-QSR506F/ WV-QSR506M (Монтажный кронштейн) + Кронштейн, приобретаемый на месте	См. Инструкцию по эксплуатации приобретенного на месте кронштейна.	
Тип 3 WV-QJB505 (Кронштейн для основания)	M4 × 16 mm × 4 шт.*3	196 N
Тип 4 WV-QEM505 (Потолочный монтажный кронштейн)	См. в Руководство по монтажу WV-QEM505.	
Тип 5 WV-QWL502 (Кронштейн для настенного монтажа)	См. в Руководство по монтажу WV-QWL502.	

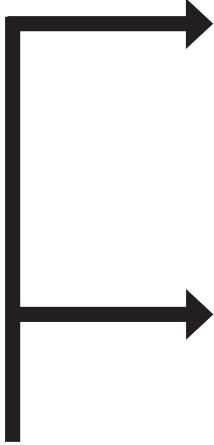
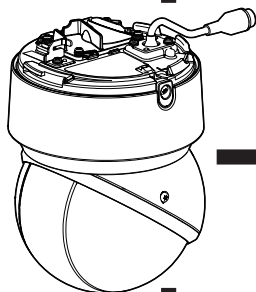
\* См. стр. 183, где показано, как данное изделие сочетается с монтажными кронштейнами типов 1 - 5.

\*1 Выберите винты, соответствующие типу места, где будет установлена камера. При этом не следует использовать деревянные винты и гвозди.

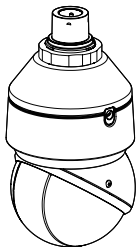
\*2 Это значение обозначает минимально требуемую величину прочности на выдергивание каждого винта. Для получения информации о минимальной прочности на выдергивание см. на нашем веб-сайте технической информации <Контрольный №: C0120>.

\*3 Длина винта является примером при установке камеры на прочную поверхность установки толщиной 20 mm или более.

- Ethernet-кабель со штекером RJ45 (категории 5e и лучше, прямой, все 4 пары (8 контактов), не более 100 m)

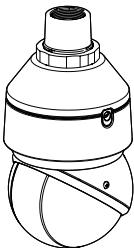


**Тип 1**



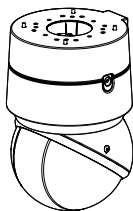
WV-QSR506-W/ WV-QSR506S-W  
⇒ стр. 184 - 190 (Подготовка)  
⇒ стр. 191

**Тип 2**



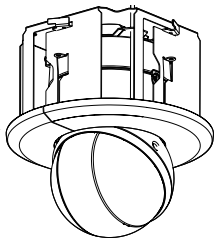
WV-QSR506M-W/ WV-QSR506M1-W  
WV-QSR506F-W/ WV-QSR506F1-W  
⇒ стр. 184 - 190 (Подготовка)  
⇒ стр. 197

**Тип 3**



WV-QJB505-W  
⇒ стр. 184 - 190 (Подготовка)  
⇒ стр. 203

**Тип 4**

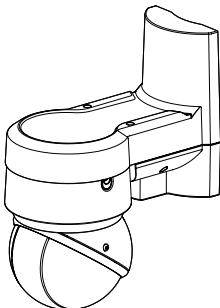


WV-QEM505-W



⇒ Руководство по монтажу  
WV-QEM505

**Тип 5**



WV-QWL502-W



⇒ Руководство по монтажу  
WV-QWL502

# Процесс установки

См. веб-руководство

## Части и функции

### Замечание:

На кольце вокруг крышки купола могут быть заметны контуры подтеков жидкости. Эти следы образуются при нанесении на крышку купола покрытия ClearSight и не влияют на эксплуатационные качества. (Только модель с покрытием ClearSight)

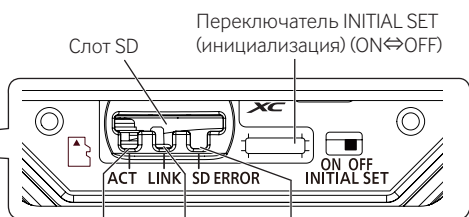
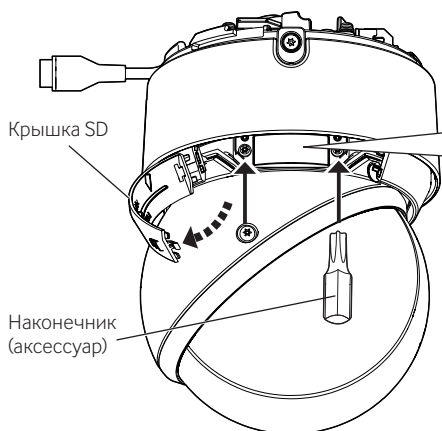
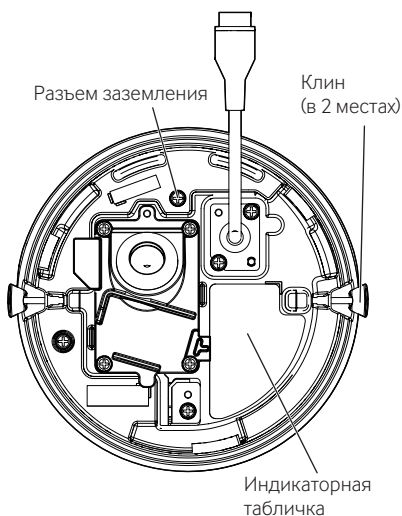
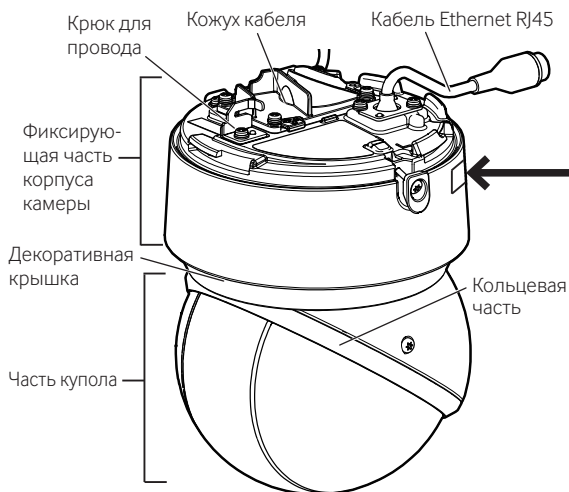
### ВНИМАНИЕ



### ГРУППА РИСКА 2

ИК-излучение данного продукта. Избегайте попадания в глаза. Используйте соответствующий экран или средство для защиты глаз.

(Только модель с освещением ИК светодиодами)



Контрольная лампочка ACT    Контрольная лампочка LINK    Контрольная лампочка SD ERROR



(зеленый)



(оранжевый)



(красный)

\* Крышка SD опущена на рисунке выше.



: Горит



: Мигает



: Гаснет



• Все светодиоды выключаются  
⇒ См. раздел "Indicators" в "User manual".

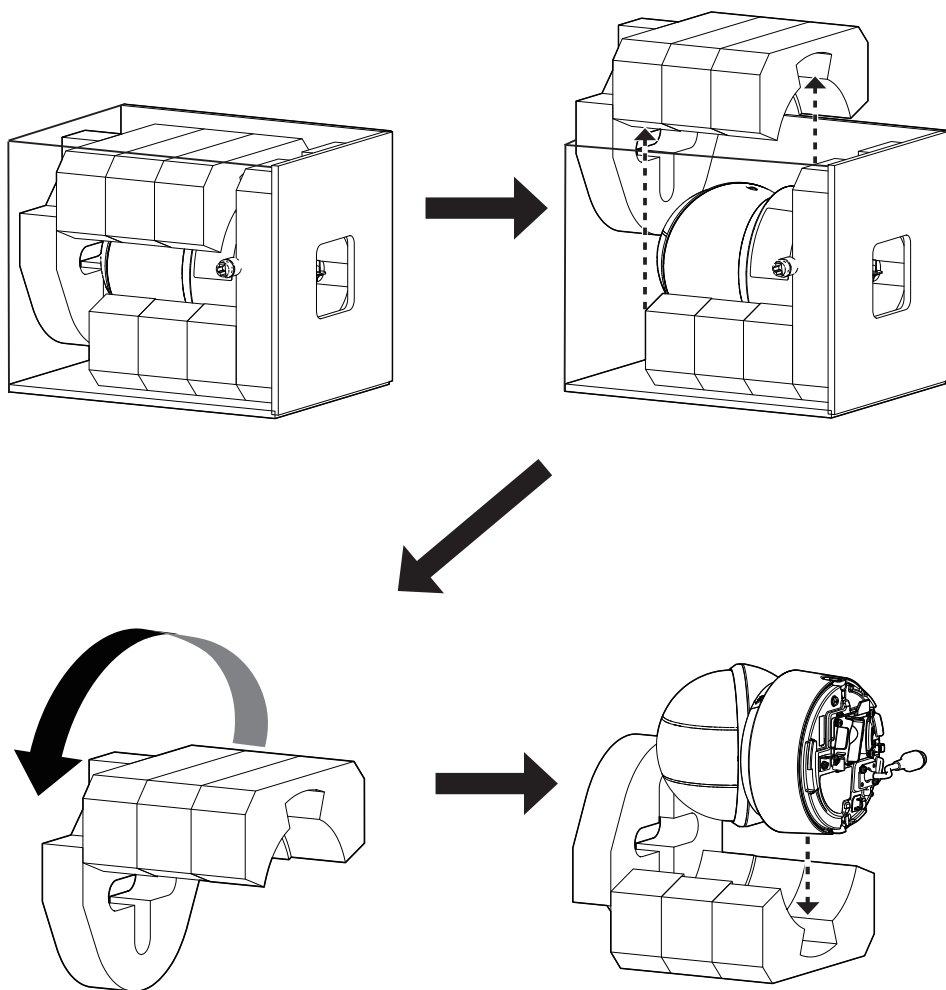
# Шаг 1

## Подготовка

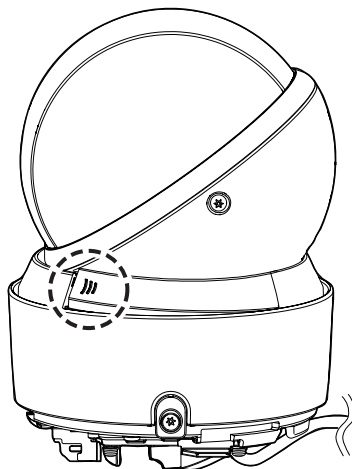
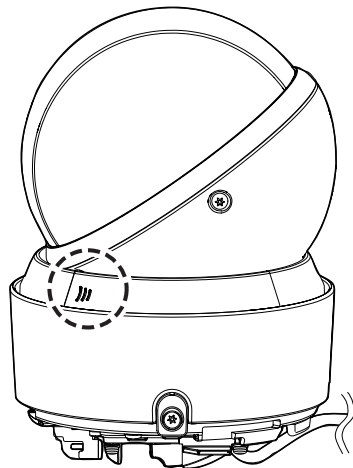
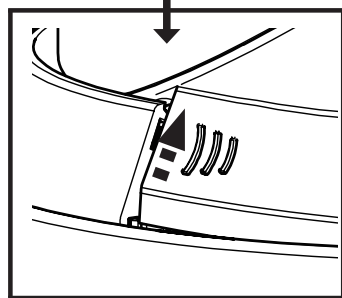
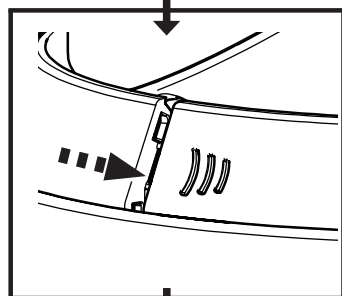
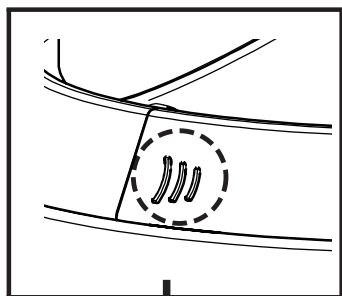
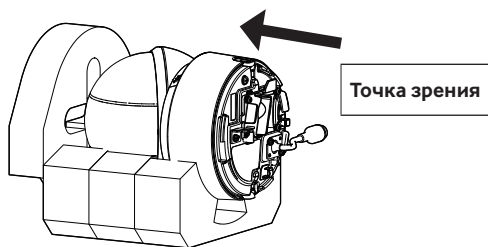
### ■ Общий

#### Замечание:

На рисунке ниже показано изображение внутренней стороны упаковочной коробки данного изделия.



## ■ При использовании карты памяти microSD

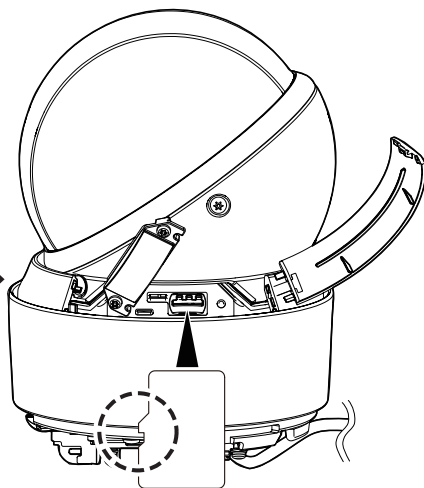
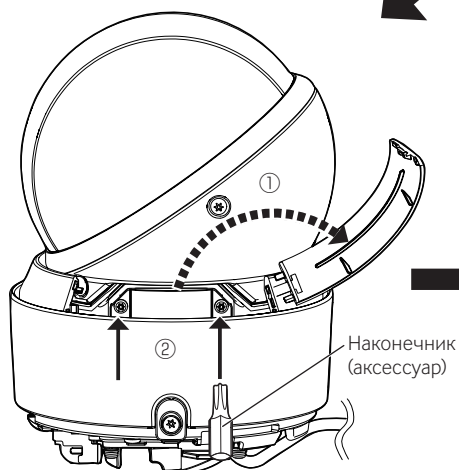
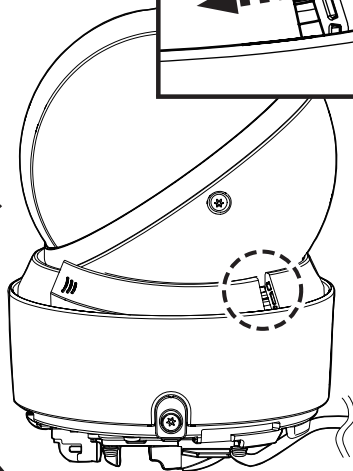
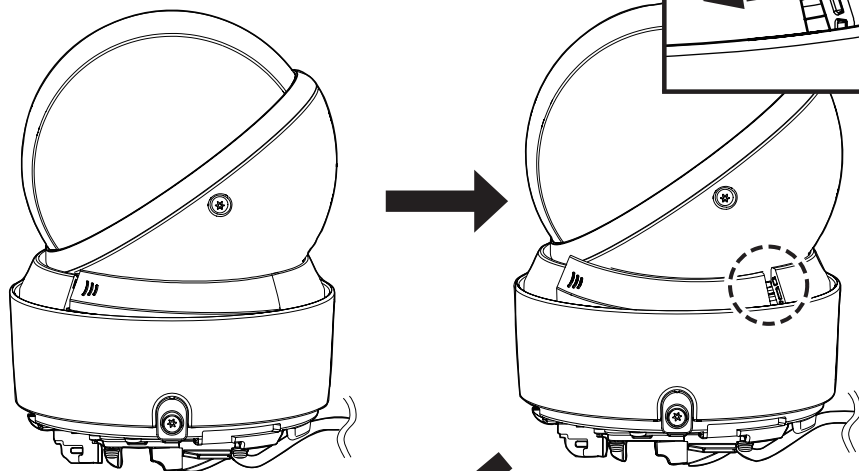
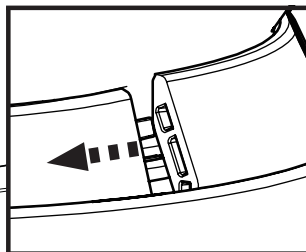


### **Замечание:**

Поднимите декоративную крышку, зацепив кончиками пальцев щель, образовавшуюся при сдвиге декоративной крышки.

## ■ При использовании карты памяти microSD (продолжение)

- Сдвиньте декоративную крышку влево и снимите крючок с правого конца.
- Вставьте карту памяти microSD в слот SD.

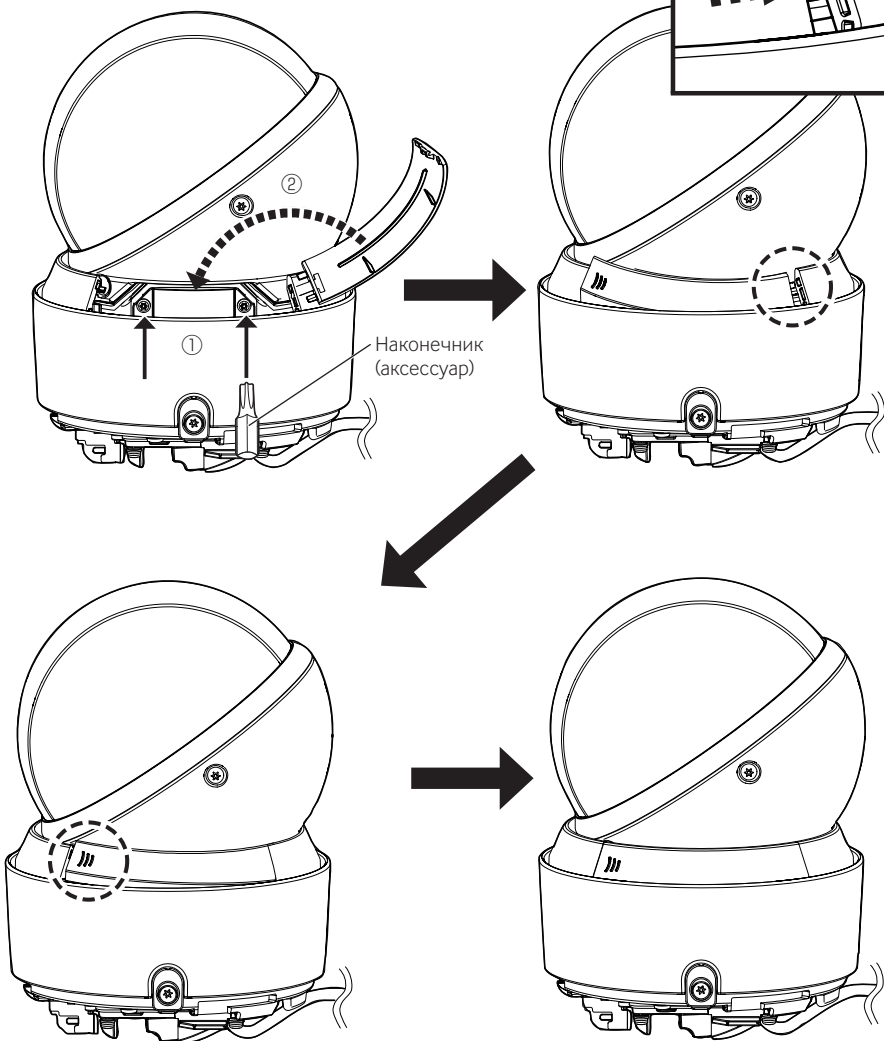


- User manual [Format]
- Используйте карту памяти microSD, предназначенную для камер i-PRO.

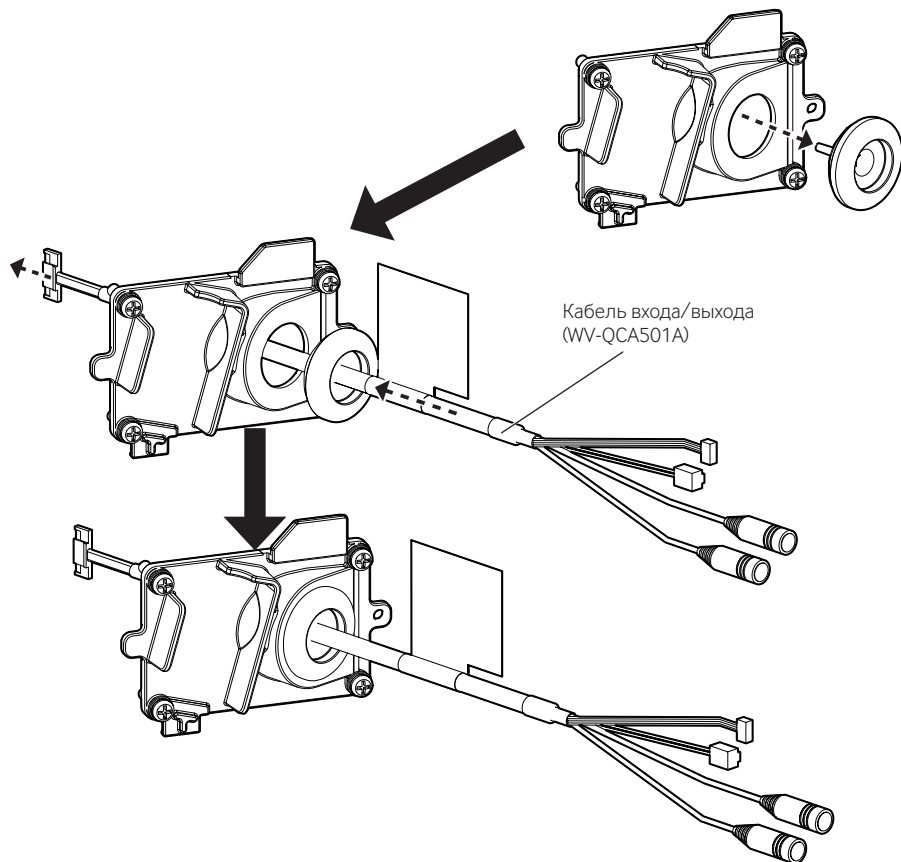
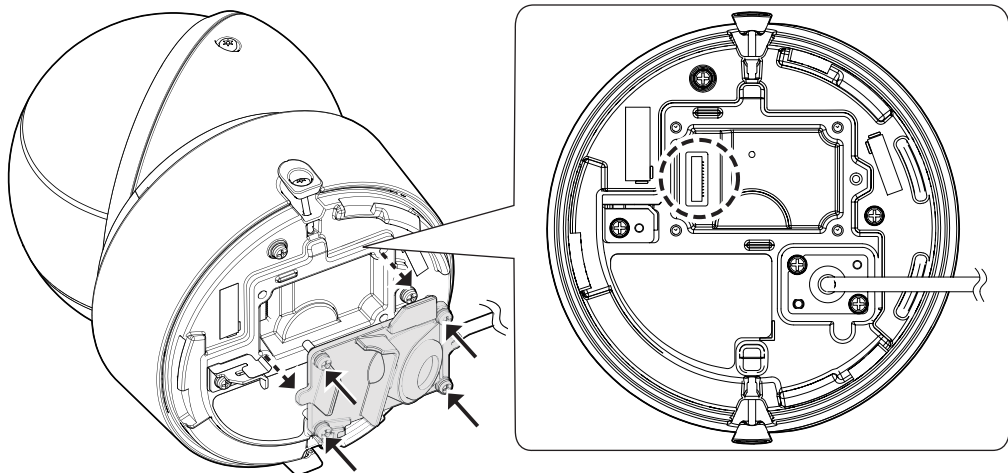
## ■ При использовании карты памяти microSD (продолжение)



Рекомендуемый крутящий момент при  
затяжке винтов: 0,78 N·m

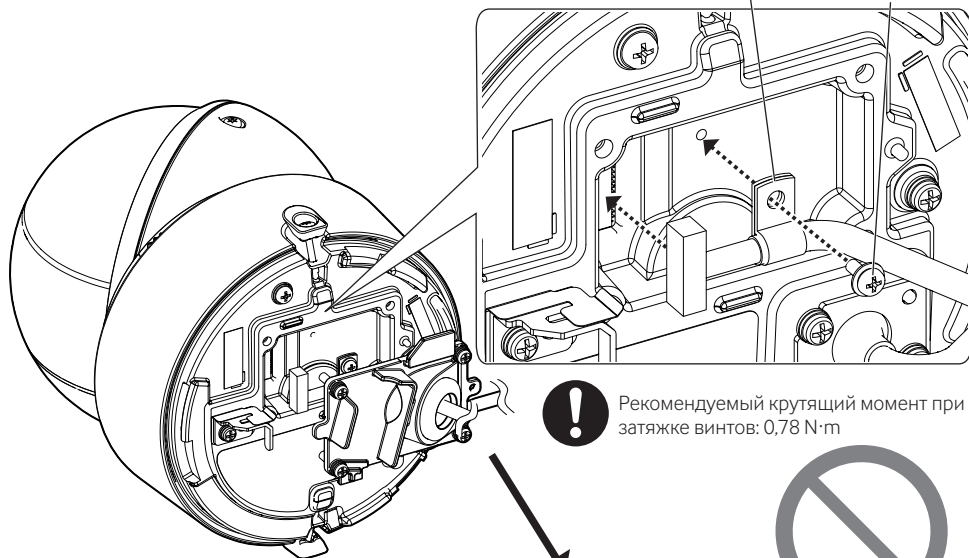


■ При использовании кабеля ввода/вывода (WV-QCA501A)

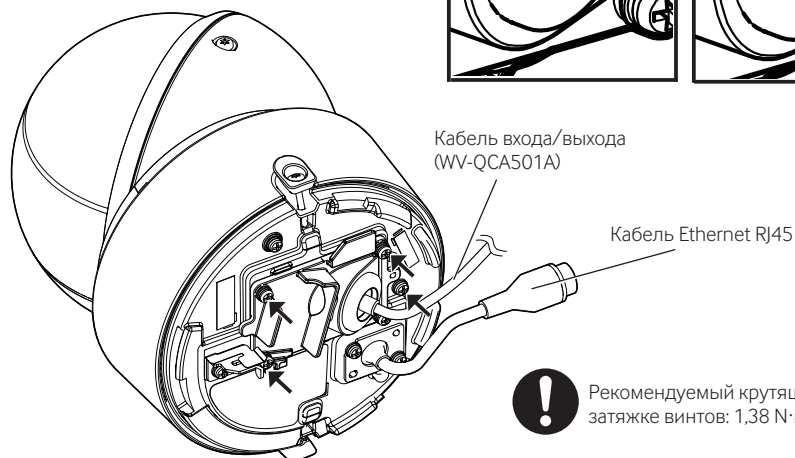
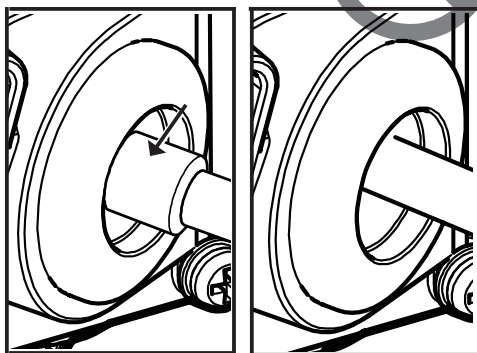


## ■ При использовании кабеля ввода/вывода (WV-QCA501A) (продолжение)

Фиксатор  
(аксессуар)      Крепежный винт  
(М3; аксессуар)



! Рекомендуемый крутящий момент при  
затяжке винтов: 0,78 N·m



Кабель ввода/вывода  
(WV-QCA501A)

Кабель Ethernet RJ45

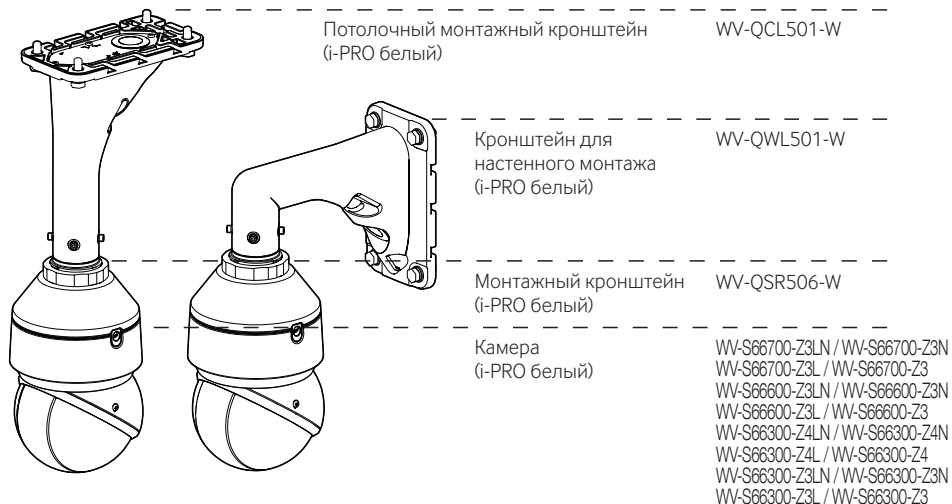
! Рекомендуемый крутящий момент при  
затяжке винтов: 1,38 N·m

# Монтаж установки Тип 1

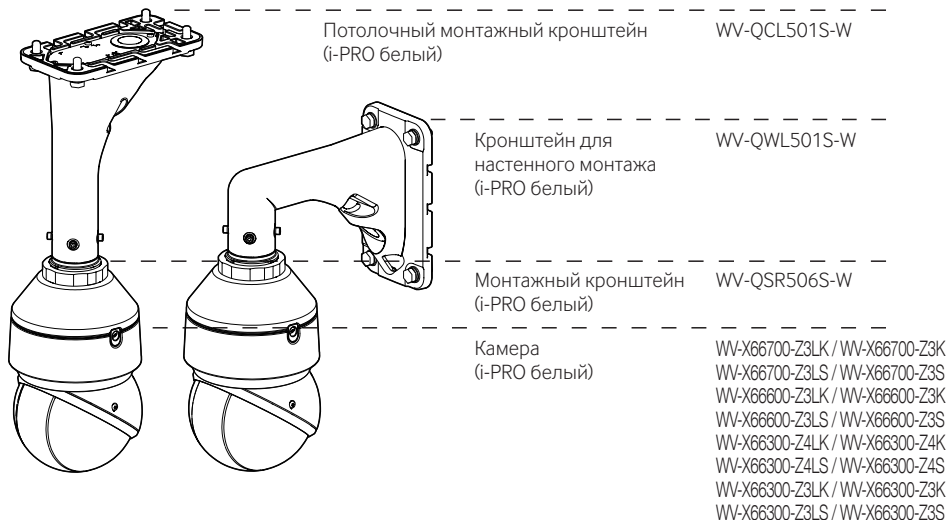
## Шаг 2

### Проверьте комбинацию кронштейнов

#### ■ Установка с нормальной спецификацией



#### ■ Установка со спецификацией устойчивости к сильным солевым повреждениям (Устойчивость к сильному солевому повреждению)



\* Ниже описан пример установки WV-QSR506 и WV-QWL501 в комбинации.

В остальных случаях следует обратиться к настоящей инструкции вместе с инструкцией по эксплуатации других используемых кронштейнов.

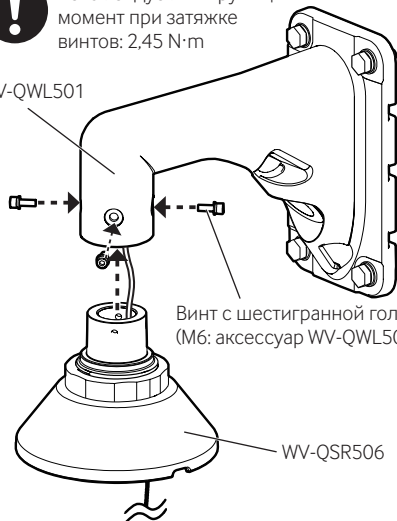
## Шаг 3

О способе прикрепления WV-QWL501 к поверхности монтажа см. инструкцию по эксплуатации кронштейна. Некоторые соединительные кабели могут быть пропущены на иллюстрациях.



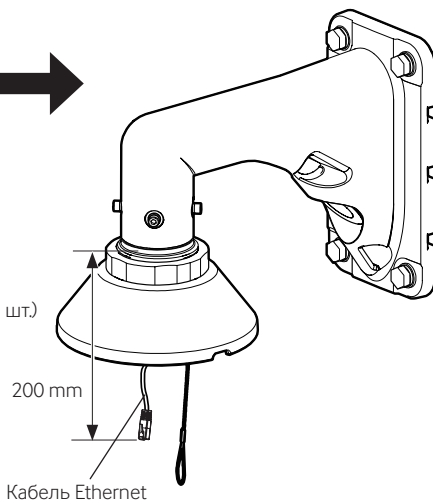
Рекомендуемый крутящий момент при затяжке винтов: 2,45 N·m

WV-QWL501



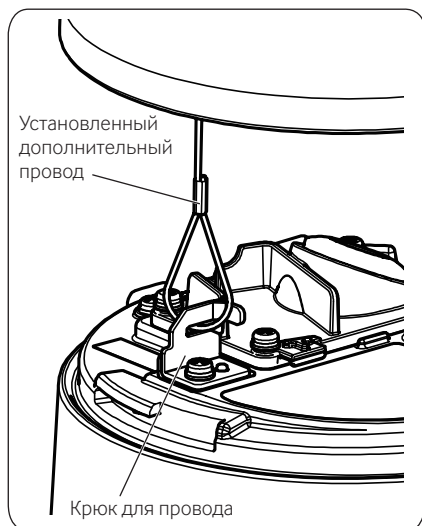
Винт с шестигранной головкой (4 шт.)  
(M6: аксессуар WV-QWL501)

WV-QSR506



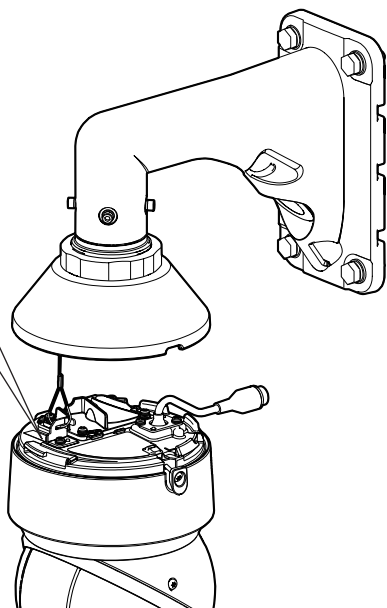
200 mm

Кабель Ethernet



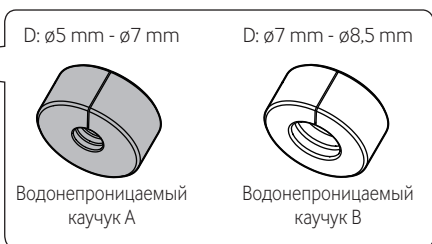
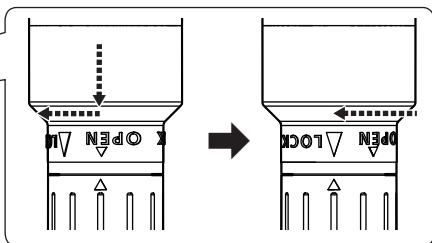
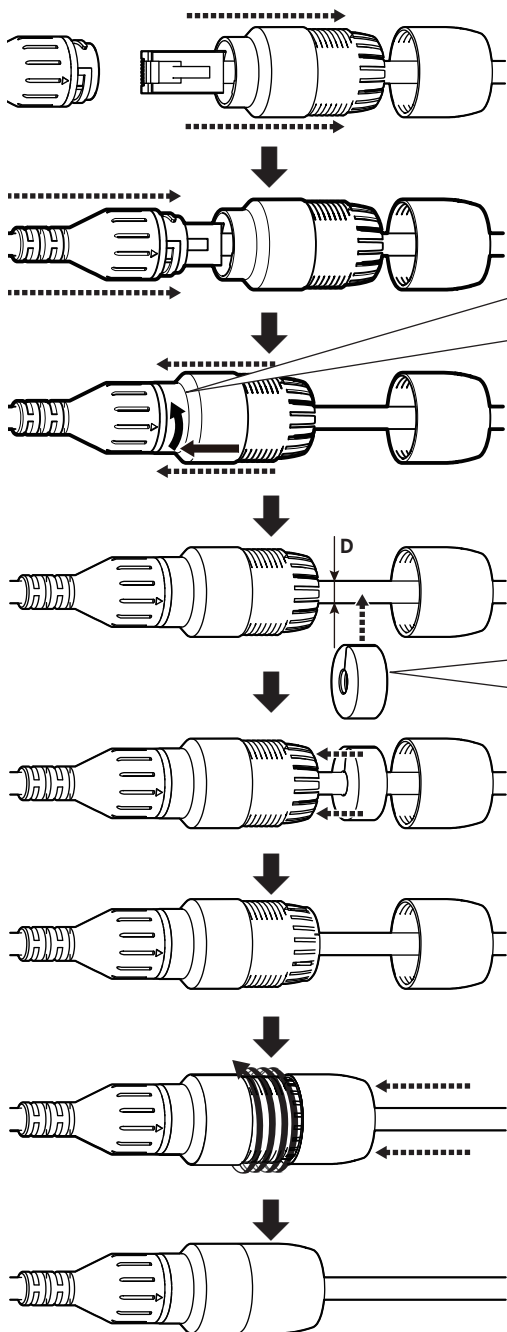
Установленный  
дополнительный  
провод

Крюк для провода



# Шаг 4

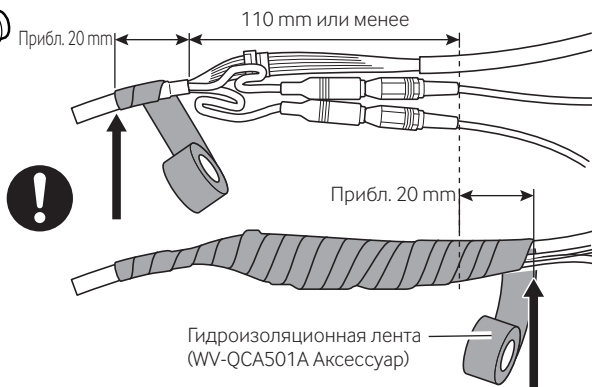
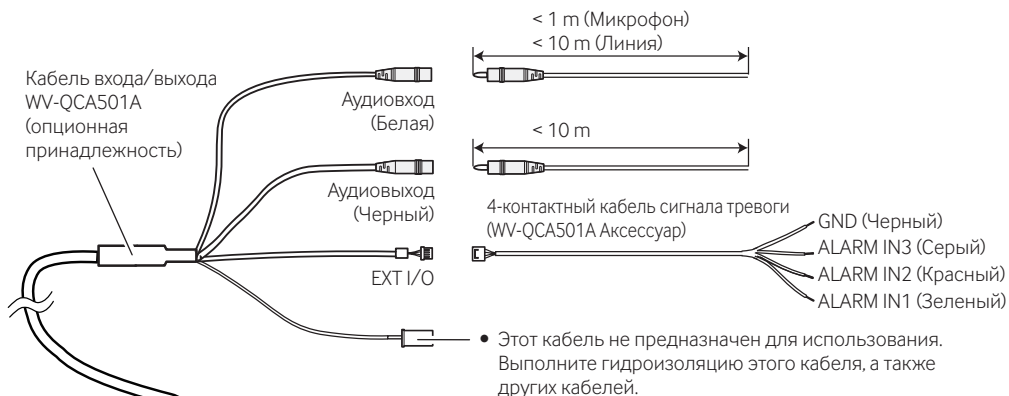
## ■ водонепроницаемый разъем RJ45



\* При необходимости усильте гидроизоляцию с помощью гидроизоляционной ленты (аксессуар). Обратите внимание, что использование гидроизоляционной ленты может затруднить прокладку проводов.

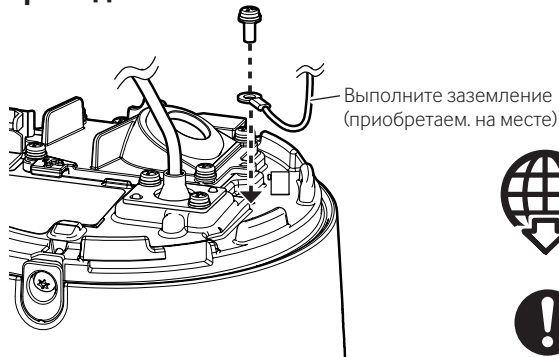
# Шаг 5

## ■ При использовании кабеля ввода/вывода



Натяните гидроизоляционную пленку примерно вдвое по сравнению с ее длиной.

## ■ Провод заземления



Веб-сайт технической информации  
"Countermeasure for Lightning Surge"  
<Контрольный №: C0121>

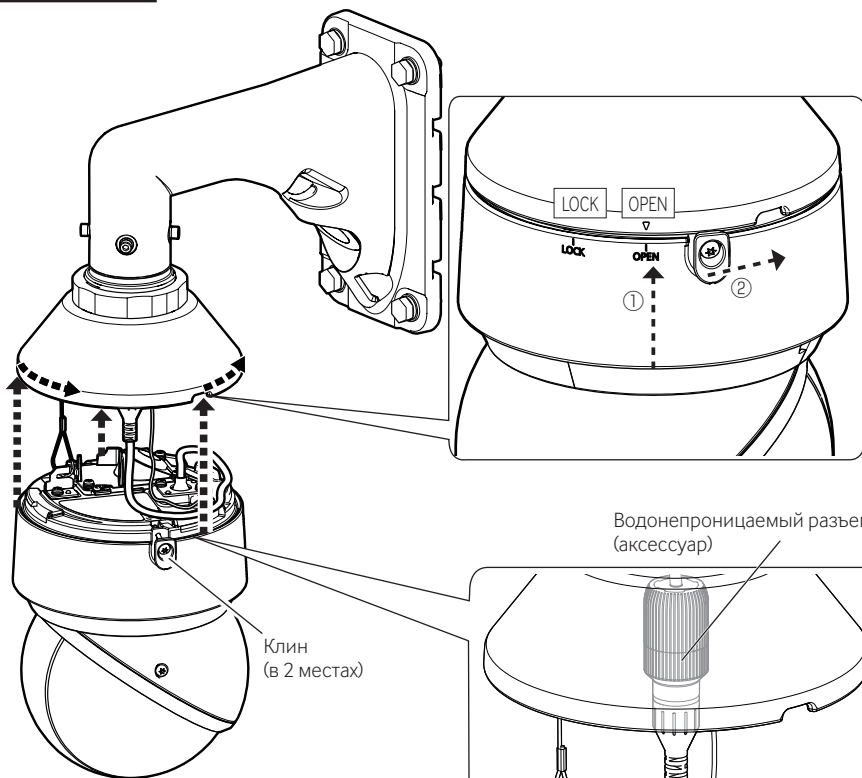


Рекомендуемый крутящий момент при затяжке винтов: 0,78 N·m

## Шаг 6

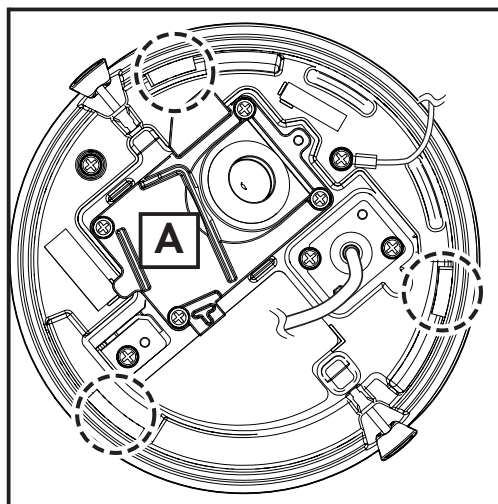


- Перед временным закреплением камеры на кронштейне снимите ленту, фиксирующую левую и правую клиновидные секции, и убедитесь, что резьба не зажата.



Водонепроницаемый разъем RJ45  
(аксессуар)

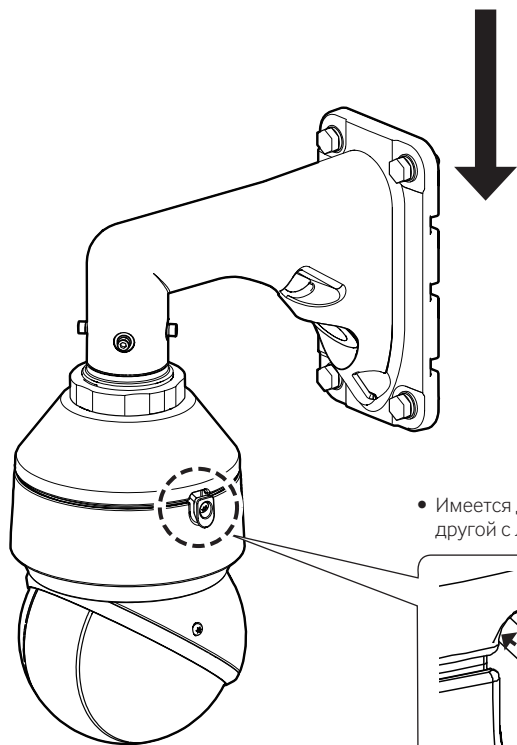
Клин  
(в 2 местах)



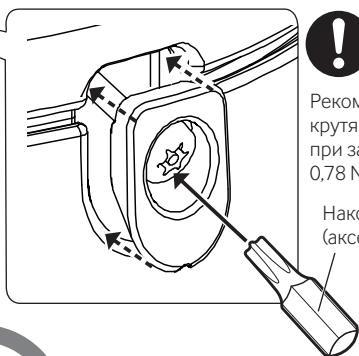
- При использовании кабеля ввода/вывода поместите кабели, обернутые гидроизоляционной лентой (аксессуар), на деталь **A** на левой иллюстрации.



См. веб-руководство

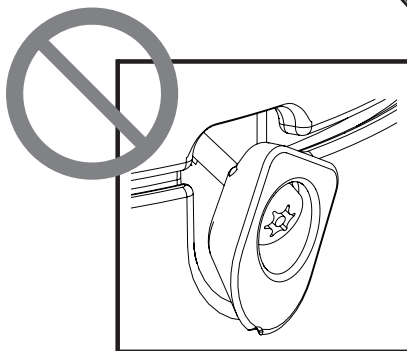


- Имеется два крепежных винта, один с правой стороны, другой с левой.



Рекомендуемый крутящий момент при затяжке винтов: 0,78 N·m

Наконечник (аксессуар)



**Тип 1 Отделка**

# Монтаж установки Тип 2

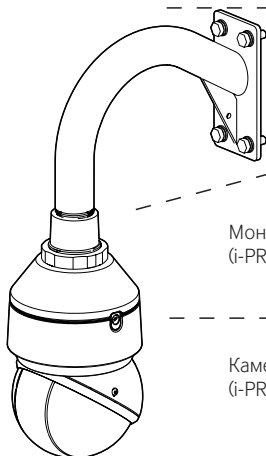
## Шаг 2

### Проверьте комбинацию кронштейнов

ISO

ANSI

Кронштейн, приобретаемый на месте



Монтажный кронштейн  
(i-PRO белый)

WV-QSR506F-W  
WV-QSR506M-W

WV-QSR506F1-W  
WV-QSR506M1-W

Камера  
(i-PRO белый)

WV-S66700-Z3LN / WV-S66700-Z3N  
WV-S66700-Z3L / WV-S66700-Z3  
WV-S66600-Z3LN / WV-S66600-Z3N  
WV-S66600-Z3L / WV-S66600-Z3

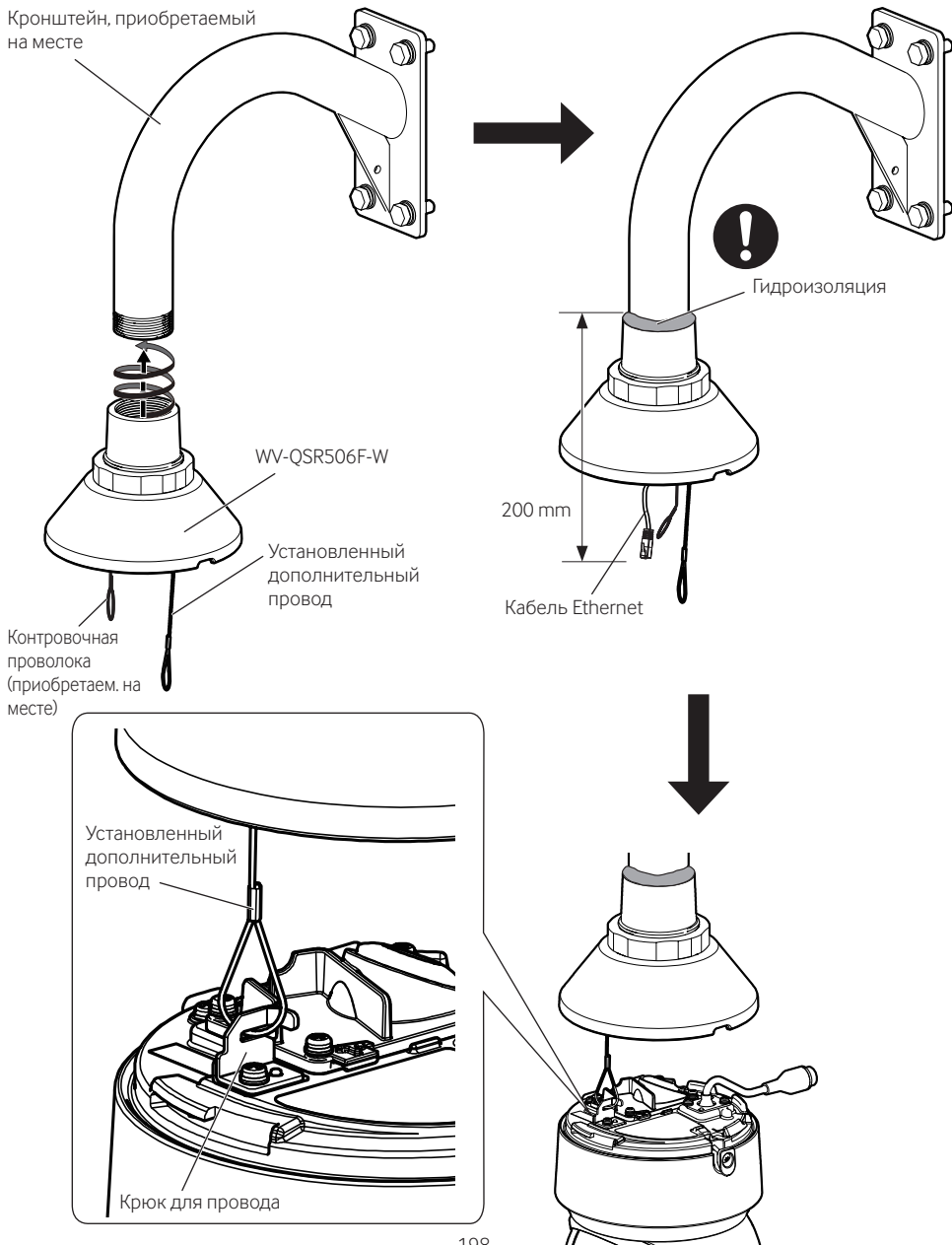
WV-S66300-Z4LN / WV-S66300-Z4N  
WV-S66300-Z4L / WV-S66300-Z4  
WV-S66300-Z3LN / WV-S66300-Z3N  
WV-S66300-Z3L / WV-S66300-Z3

	Технические характеристики соединительных деталей данного изделия		Монтажный кронштейн, соответствующий данному продукту
WV-QSR506F-W	<b>Внутренняя цилиндрическая трубная резьба (ISO)</b> 40A, Rp 1-1/2, 11 резьба, глубина 25,4 мм		<b>Приобретаем. на месте</b> 40A, R 1-1/2, 11 резьба, длина 25,4 мм или более (наружная коническая трубная резьба)
WV-QSR506F1-W	<b>Внутренняя цилиндрическая трубная резьба (ANSI)</b> 40A, NPSC 1-1/2, 11,5 резьба, глубина 25,4 мм		<b>Приобретаем. на месте</b> 40A, NPT 1-1/2, 11,5 резьба, длина 25,4 мм или более (наружная коническая трубная резьба)
WV-QSR506M-W	<b>Наружная коническая трубная резьба (ISO)</b> 40A, R 1-1/2, 11 резьба, длина 25,4 мм		<b>Приобретаем. на месте</b> 40A, Rp 1-1/2, 11 резьба, глубина 25,4 мм или более (внутренняя цилиндрическая трубная резьба)
WV-QSR506M1-W	<b>Наружная коническая трубная резьба (ANSI)</b> 40A, NPT 1-1/2, 11,5 резьба, длина 25,4 мм		<b>Приобретаем. на месте</b> 40A, NPSC 1-1/2, 11,5 резьба, глубина 25,4 мм или более (внутренняя цилиндрическая трубная резьба)

## Шаг 3

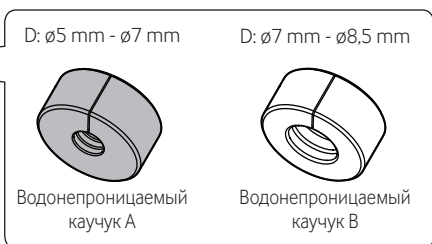
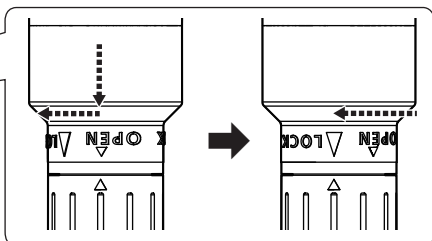
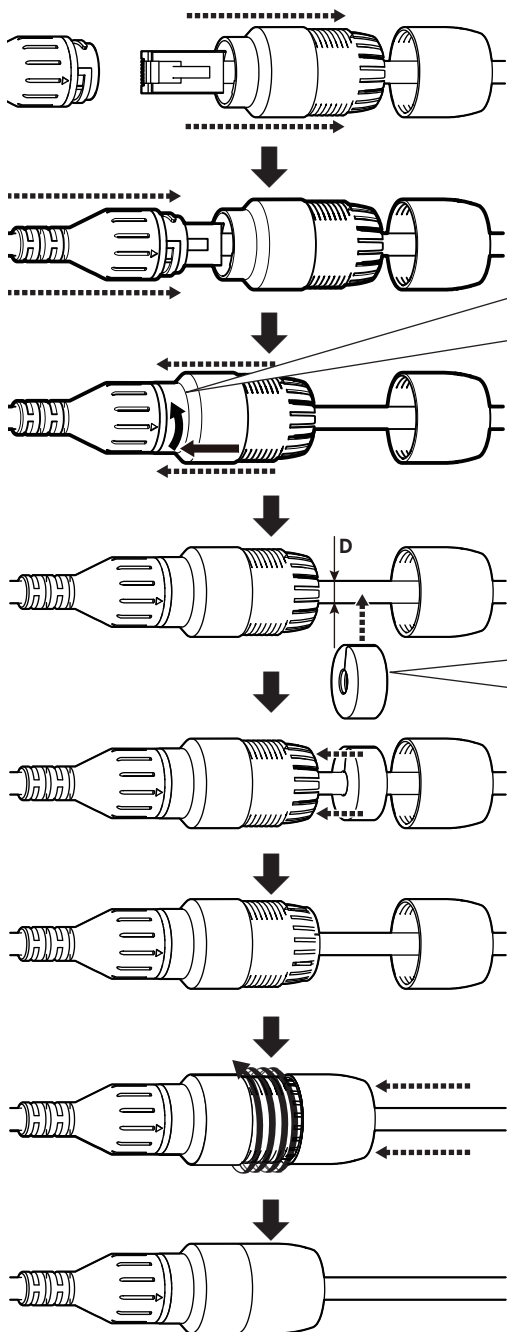
Ниже описана схема установки WV-QSR506F-W и кронштейна, приобретённого на месте в комбинации. См. руководство по монтажу WV-QSR506 для получения подробной информации о процессах установки, таких как закрепление контровочной проволоки.

Некоторые соединительные кабели могут быть пропущены на иллюстрациях.



# Шаг 4

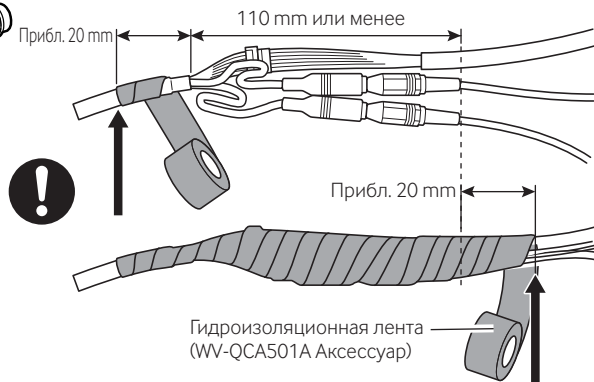
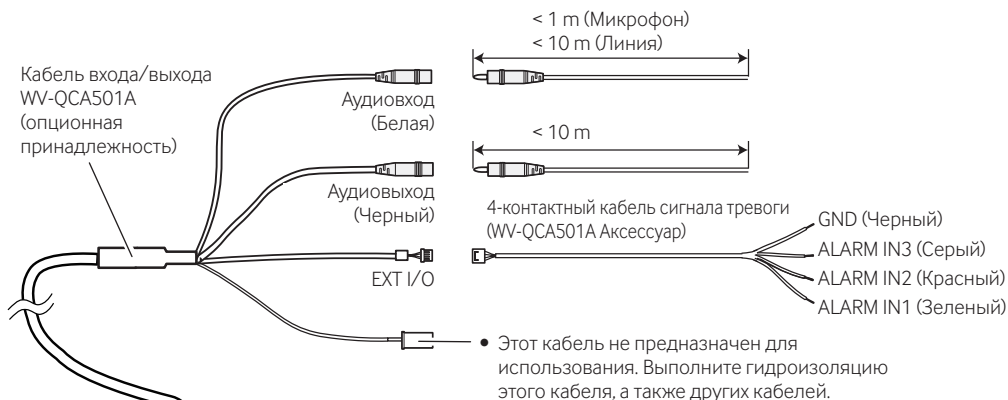
## ■ водонепроницаемый разъем RJ45



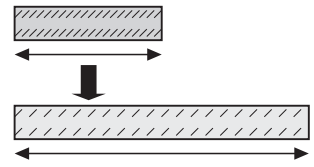
\* При необходимости усильте гидроизоляцию с помощью гидроизоляционной ленты (аксессуар). Обратите внимание, что использование гидроизоляционной ленты может затруднить прокладку проводов.

# Шаг 5

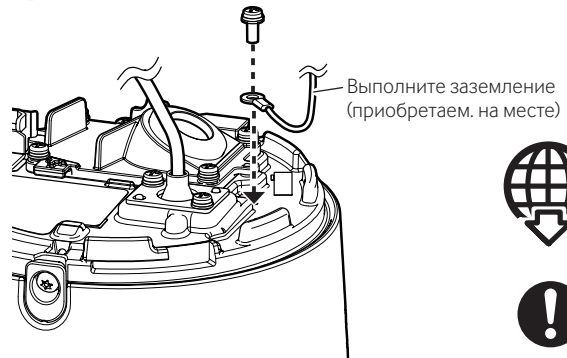
## ■ При использовании кабеля ввода/вывода





Натяните гидроизоляционную пленку примерно вдвое по сравнению с ее длиной.



## ■ Провод заземления



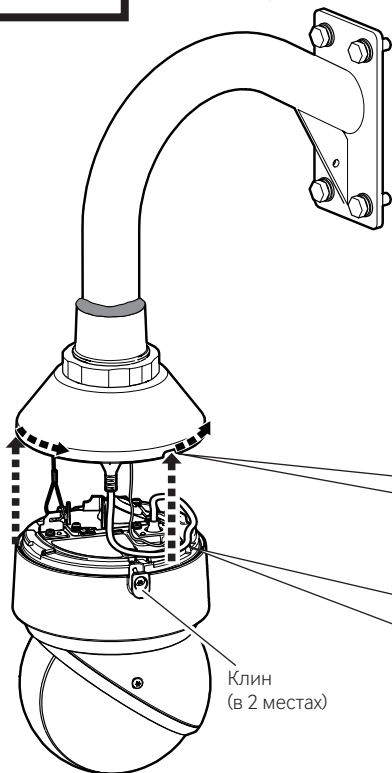
 Веб-сайт технической информации "Countermeasure for Lightning Surge" <Контрольный №: C0121>

 Рекомендуемый крутящий момент при затяжке винтов: 0,78 N·m

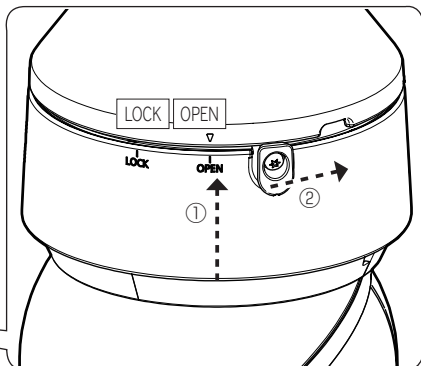
## Шаг 6



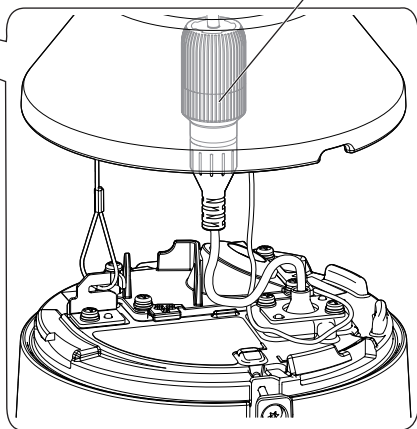
- Перед временным закреплением камеры на кронштейне снимите ленту, фиксирующую левую и правую клиновидные секции, и убедитесь, что резьба не зажата.



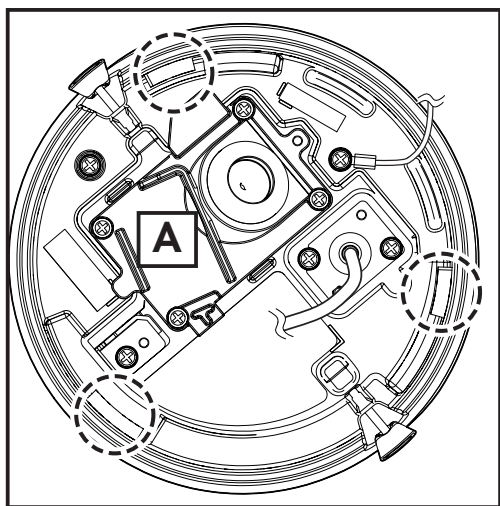
Клин  
(в 2 местах)



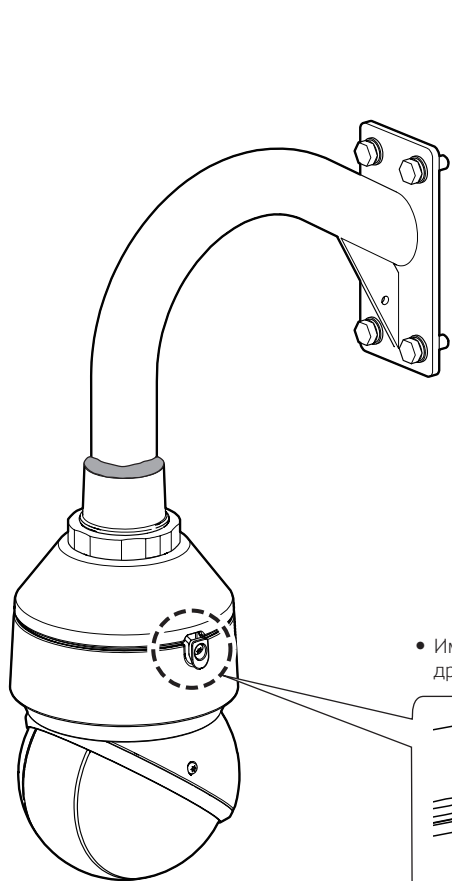
Водонепроницаемый  
разъем RJ45 (аксессуар)



- При использовании кабеля ввода/вывода поместите кабели, обернутые гидроизоляционной лентой (аксессуар), на деталь **A** на левой иллюстрации.



См. веб-руководство

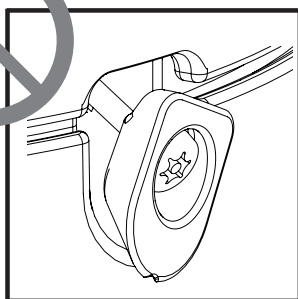
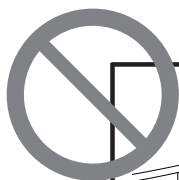


- Имеется два крепежных винта, один с правой стороны, другой с левой.



Рекомендуемый  
крутящий момент при  
затяжке винтов: 0,78 N·m

Наконечник  
(аксессуар)

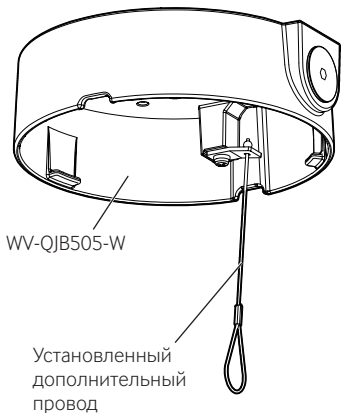


**Тип 2 Отделка**

# Монтаж установки Тип 3

## Шаг 2

<При прокладке проводки с потолка>

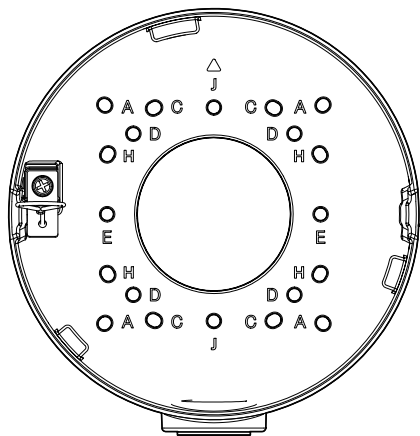


<При использовании кабелепровода>



## Шаг 3

В зависимости от состояния монтажной поверхности эту пластину можно прикрепить винтами, расположенными в следующих шести положениях. Используйте одни и те же из монтажных отверстий A–J.

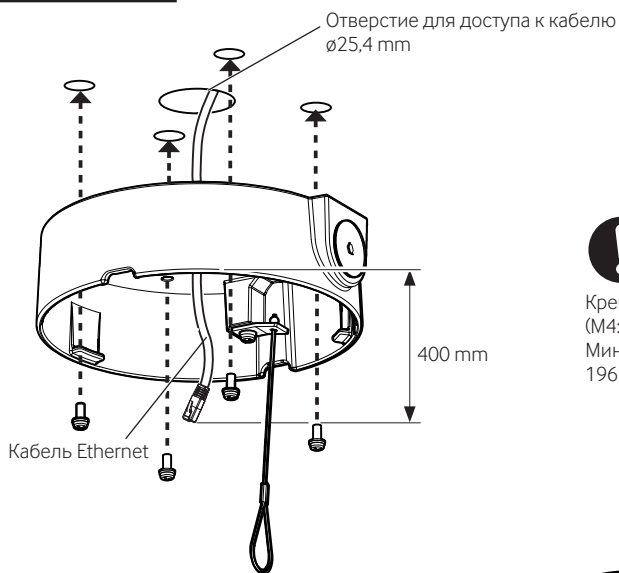


\* При установке в одинарную соединительную коробку прикрепите двумя крепежными винтами (M4: приобретается на месте).

	Длина	Ширина
A	85 mm (85,7 mm)	85 mm (85,7 mm)
C	83,5 mm (83,3 mm)	46 mm (47,6 mm)
D	63 mm	63 mm
E*	–	83,5 mm
H	46 mm (47,6 mm)	83,5 mm (83,3 mm)
J*	83,5 mm	–

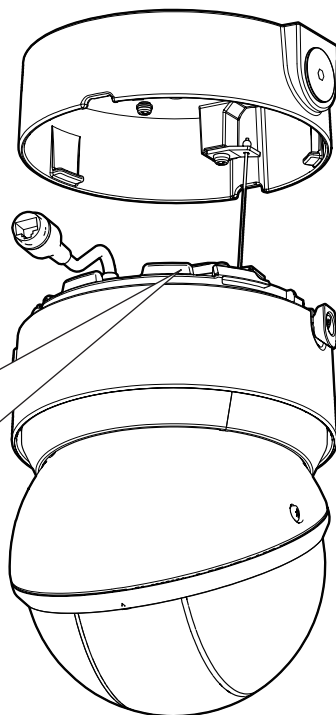
## Шаг 3

(продолжение)



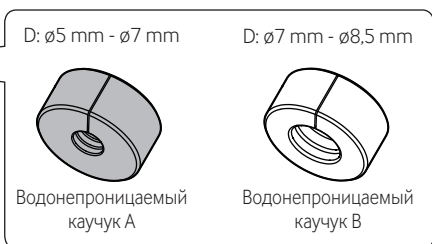
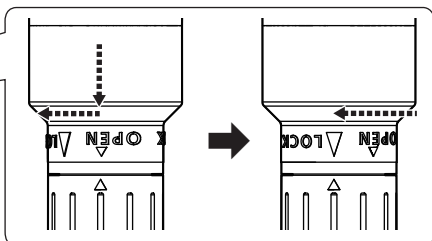
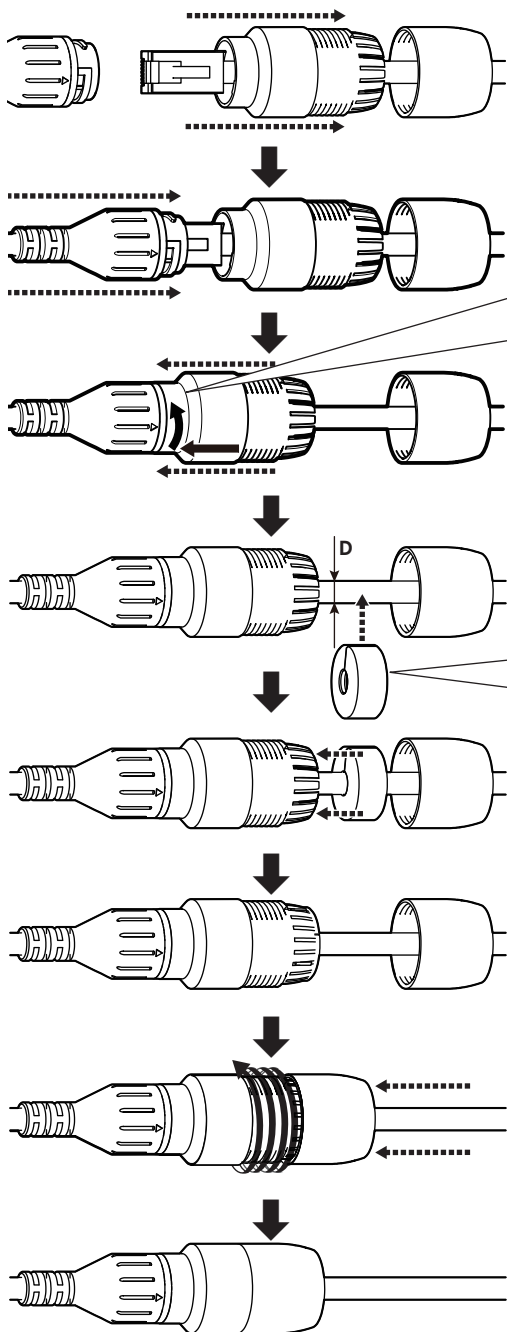
Крепежный винт (4 шт.)  
(M4: приобретаем. на месте)  
Миним. прочность на выдергивание:  
196 N/на 1 шт.

## Шаг 4



# Шаг 5

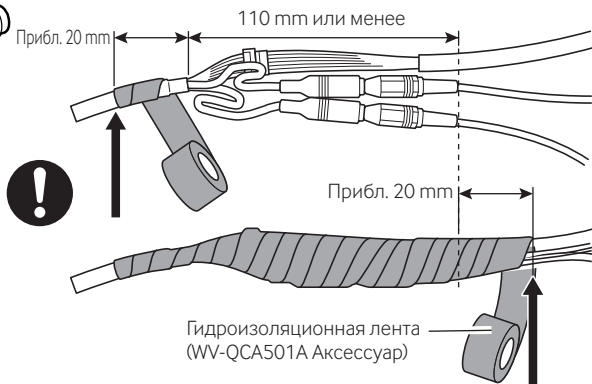
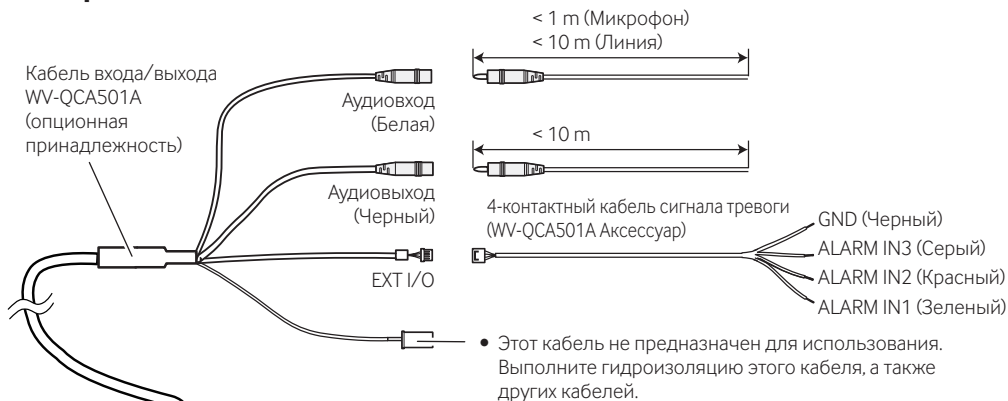
## ■ водонепроницаемый разъем RJ45



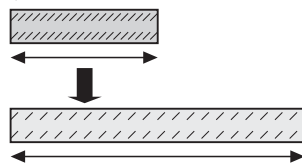
\* При необходимости усильте гидроизоляцию с помощью гидроизоляционной ленты (аксессуар). Обратите внимание, что использование гидроизоляционной ленты может затруднить прокладку проводов.

# Шаг 6

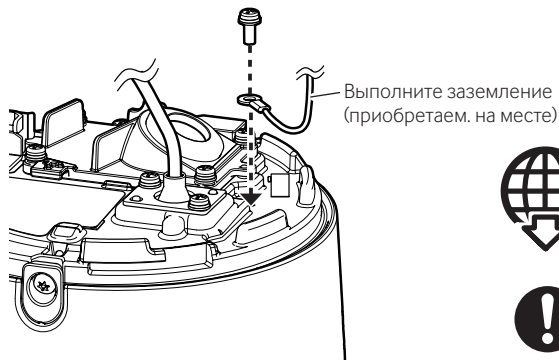
## ■ При использовании кабеля ввода/вывода



Натяните гидроизоляционную пленку примерно вдвое по сравнению с ее длиной.



## ■ Провод заземления



Веб-сайт технической информации  
"Countermeasure for Lightning Surge"  
<Контрольный №: C0121>

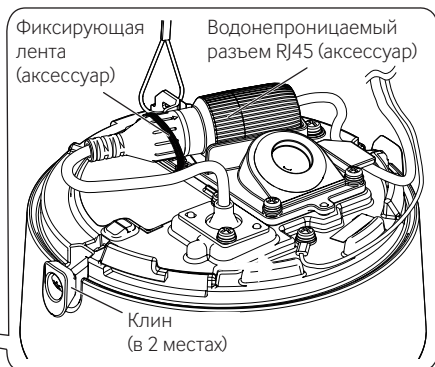
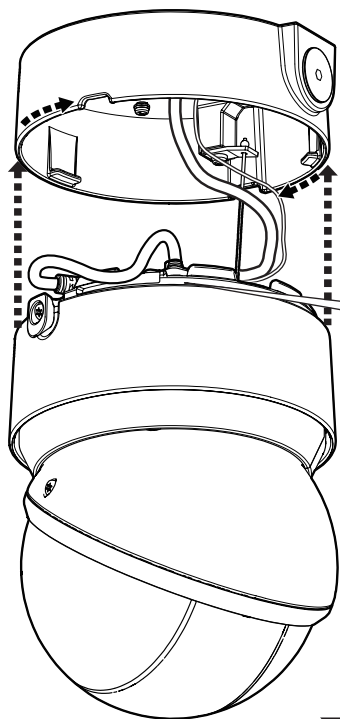


Рекомендуемый крутящий момент при затяжке винтов: 0,78 N·m

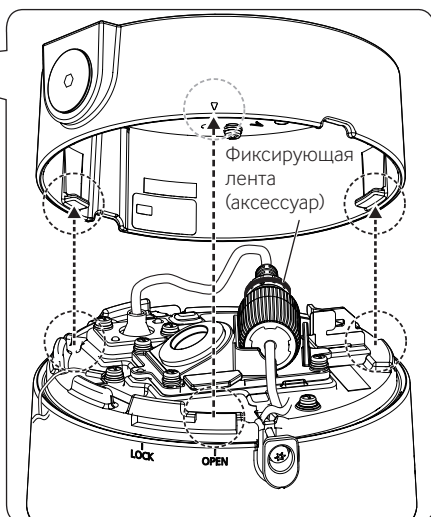
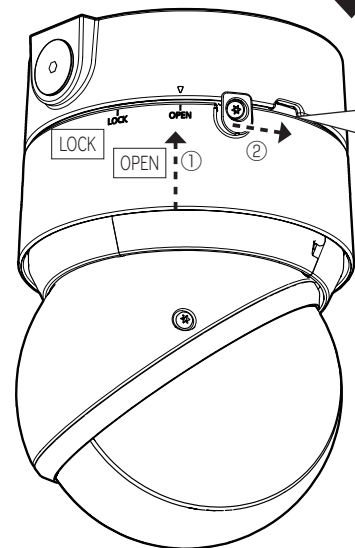
## Шаг 7



- Перед временным закреплением камеры на кронштейне снимите ленту, фиксирующую левую и правую клиновидные секции, и убедитесь, что резьба не зажата.



- Закрепите водонепроницаемый разъем RJ45 (аксессуар), используя фиксирующую ленту (аксессуар) в представленном положении на крышке кабеля.

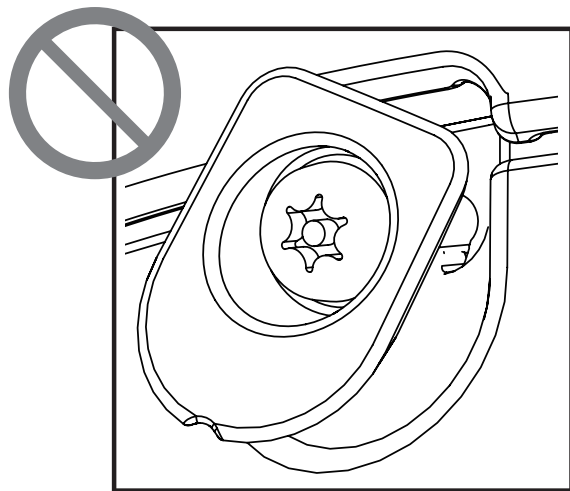
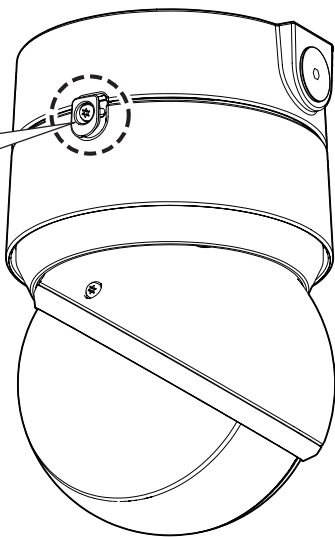
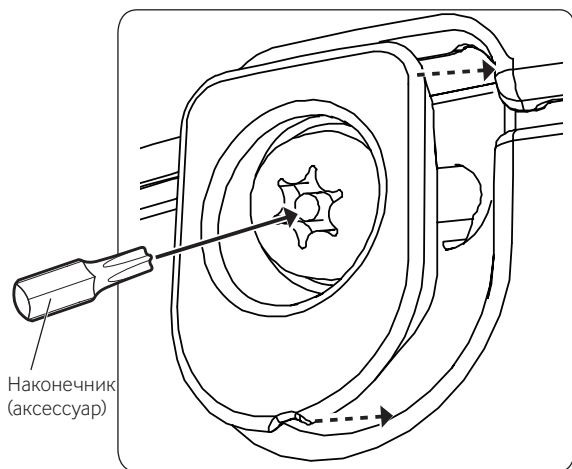


## Шаг 8



Рекомендуемый крутящий момент при  
затяжке винтов: 0,78 N·m

- Имеется два крепежных винта, один с правой стороны, другой с левой.



Тип 3 Отделка